

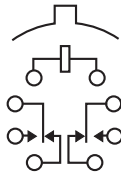
HM · HMD · HS · HSD

T0-5 COMMERCIAL/INDUSTRIAL RELAYS



HM · HS

STANDARD • SENSITIVE T0-5
COMMERCIAL RELAY



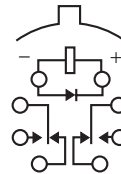
TERMINAL VIEW

FEATURES

- Hermetically sealed
- Spreader Pads
- Excellent RF switching

HMD · HSD

STANDARD • SENSITIVE T0-5
DIODE SUPPRESSED
COMMERCIAL RELAY



TERMINAL VIEW

FEATURES

- Suppression Diode
- Hermetically sealed
- Spreader Pads
- Excellent RF switching

ELECTRICAL CHARACTERISTICS

CONTACT ARRANGEMENT

2 Form C (DPDT)

CONTACT MATERIAL

Stationary:
Gold/platinum/palladium/silver alloy
(gold plated)

Moveable:
Gold/platinum/palladium/silver alloy
(gold plated)

CONTACT RESISTANCE

Before Life:
100 milliohms max.
(measured @ 10 mA @ 6 Vdc)

After Life:
200 milliohms max.
(measured @ 1 A @ 28 Vdc)

MECHANICAL LIFE EXPECTANCY

1 million operations

ELECTRICAL CHARACTERISTICS

COIL VOLTAGE

5 to 30 Vdc (HM/HMD)
5 to 48 Vdc (HS/HSD)

COIL POWER

HM/HMD:
675 mW max. @ 25°C

HS/HSD:
565 mW max. @ 25°C

DUTY CYCLE

Continuous

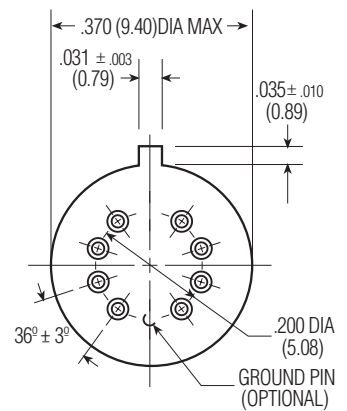
PICK-UP VOLTAGE

Approximately 70% of
nominal coil voltage

PICK-UP SENSITIVITY

HM/HMD:
180 mW max. @ 25°C

HS/HSD:
90 mW max. @ 25°C



HEADER

CONTACT RATINGS

CONTACT LOAD	TYPE	OPERATIONS MIN.
1.0 A @ 28 Vdc	Resistive	100,000
250 mA @ 115 Vac, 60 Hz & 400 Hz	Resistive (Case not grounded)	100,000
100 mA @ 115 Vac, 60 Hz & 400 Hz	Resistive	100,000
0.2 A @ 28 Vdc	Inductive (0.32 Henry)	100,000
0.1 A @ 28 Vdc	Lamp	100,000
30 µA @ 50 mVdc	Low Level	1,000,000

HM · HMD · HS · HSD

10-5 COMMERCIAL/INDUSTRIAL RELAYS

OPERATING CHARACTERISTICS

TIMING

Operate Time:
HM/HMD: 4.0 ms max.
HS/HSD: 6.0 ms max.

Release Time:
HM: 3.0 ms max.
HS: 3.0 ms max.
HMD: 6.0 ms max.
(suppression diode)
HSD: 7.5 ms max.
(suppression diode)

DIELECTRIC WITHSTANDING VOLTAGE

Between Open Contacts:
350 Vrms 60 Hz

Between Adjacent Contacts:
350 Vrms 60 Hz

Between Contacts & Coil:
350 Vrms 60 Hz

INSULATION RESISTANCE

1,000 megohms @ 500 Vdc

ENVIRONMENTAL CHARACTERISTICS

TEMPERATURE RANGE

-55°C to +85°C

WEIGHT

HM/HMD:
0.09 oz. (2.55 gms)
0.099 oz. (2.80 gms) w/ spreader pad

HS/HSD:
0.12 oz. (3.40 gms)
0.129 oz. (3.45 gms) w/ spreader pad

VIBRATION RESISTANCE

10 G's, 10 to 500 Hz

SHOCK RESISTANCE

30 G's, 6 ± 1 ms

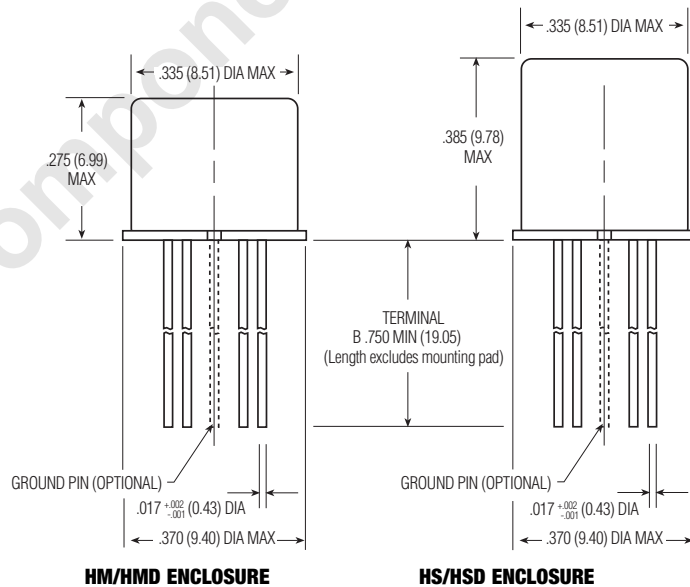
SEMICONDUCTOR CHARACTERISTICS

DIODE

100 Vdc peak inverse voltage (PIV)
1.0 Vdc max. transient voltage

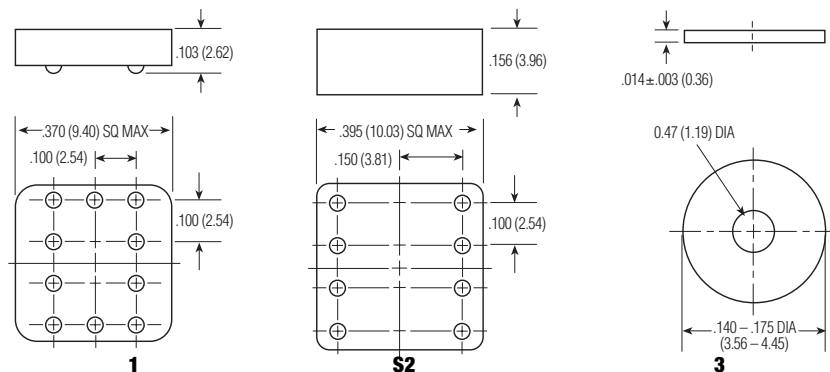
STANDARD COIL DATA

	NOM. COIL VOLTAGE (Vdc)	COIL RESISTANCE IN OHMS ±20% @ 25°C	PICKUP VOLTAGE Vdc (MAX.) @ 25°C	NOM. COIL POWER (mW) @ 25°C	MAX. COIL VOLTAGE	COIL DESIG.
HM/HMD	5.0	50	3.6	500	5.8	5
	6.0	98	4.2	367	8.0	6
	9.0	220	6.5	368	12.0	9
	12.0	390	8.4	369	16.0	12
	18.0	880	13.0	368	24.0	18
	26.5	1,560	17.0	450	32.0	26
30.0	2,500	22.0	360	36.0	30	
HS/HSD	5.0	100	3.5	250	7.5	5
	6.0	200	4.5	180	10.0	6
	9.0	400	6.8	203	15.0	9
	12.0	850	9.0	169	20.0	12
	18.0	1,600	13.5	203	30.0	18
	26.5	3,300	18.0	213	40.0	26
	36.0	6,500	24.0	199	57.0	36
	48.0	11,000	32.0	209	75.0	48



HM/HMD ENCLOSURE

HS/HSD ENCLOSURE



SPREADER AND MOUNTING PADS

SPECIFYING A PART NUMBER EXAMPLE:

TYPE HM DIODES D GROUND PIN X SPREADER/MOUNTING PADS 3 COILS -26 TERMINALS B