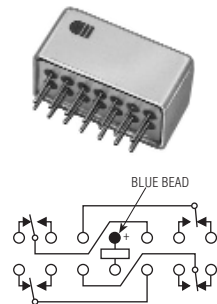


# SR • SS

## SR

FOUR POLE HALF SIZE  
HIGH-PERFORMANCE RELAY

QUALIFIED TO MIL-R-39016/40



TERMINAL VIEW

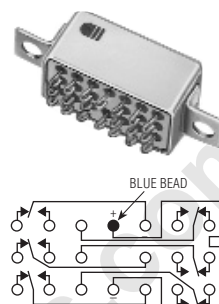
**FEATURES**

- Hermetically sealed
- Up to 2 amps switching
- High shock & vibration ratings
- Optional terminals & mounting styles
- 4 form C Hi-density design

## SS

SIX POLE HALF SIZE  
HIGH-PERFORMANCE RELAY

DESIGNED TO MIL-R-39016



TERMINAL VIEW

**FEATURES**

- Hermetically sealed
- Up to 2 amps switching
- High shock & vibration ratings
- Optional terminals & mounting styles
- 6 form C Hi-density design

**ELECTRICAL CHARACTERISTICS**

**CONTACT ARRANGEMENT**

SR: 4 Form C (4PDT)  
SS: 6 Form C (6PDT)

**CONTACT MATERIAL**

Stationary:  
Gold plated hardened silver alloy  
Moveable:  
Gold plated hardened silver alloy

**CONTACT RESISTANCE**

Before Life: 50 milliohms max.  
(measured at 10 mA @ 6 Vdc)  
After Life: 100 milliohms max.  
(measured @ 2 A @ 28 Vdc)

**MECHANICAL LIFE EXPECTANCY**

1 million operations min.

**COIL VOLTAGE**

6 to 26.5 Vdc

**COIL POWER**

2.6 watts max. @ 25°C

**DUTY CYCLE**

Continuous

**PICK-UP VOLTAGE**

Approximately 50% of  
nominal coil voltage

**PICK-UP SENSITIVITY**

475 mW

**CONTACT RATINGS**

CONTACT LOAD	TYPE	OPERATIONS MIN.
2 A @ 28 Vdc	Resistive	100,000
0.3 A @ 115 Vac, 60 Hz & 400 Hz	Resistive	100,000
0.75 A @ 28 Vdc	Inductive (200mH)	100,000
0.1 A @ 28 Vdc	Intermediate	50,000
0.2 A @ 28 Vdc	Lamp	100,000
10 µA @ 50 mV	Low Level	1,000,000



# SR · SS

HALF SIZE HIGH PERFORMANCE RELAYS

## OPERATING CHARACTERISTICS

### TIMING

Operate Time:  
5.0 ms max.

Release Time:  
5.0 ms max.

### CONTACT BOUNCE

5.0 ms max. (SR)  
5.0 ms max. (SS)

### DIELECTRIC WITHSTANDING VOLTAGE

Between Open Contacts:  
350 Vrms 60 Hz

Between Adjacent Contacts:  
500 Vrms 60 Hz

Between Contacts and Coil:  
500 Vrms 60 Hz

### INSULATION RESISTANCE

1,000 megohms min. @ 500 Vdc

## ENVIRONMENTAL CHARACTERISTICS

### TEMPERATURE RANGE

-65°C to +125°C

### WEIGHT

0.28 oz. (7.8 gms)

### VIBRATION RESISTANCE

15 G's, 10 to 2,000 Hz

### SHOCK RESISTANCE

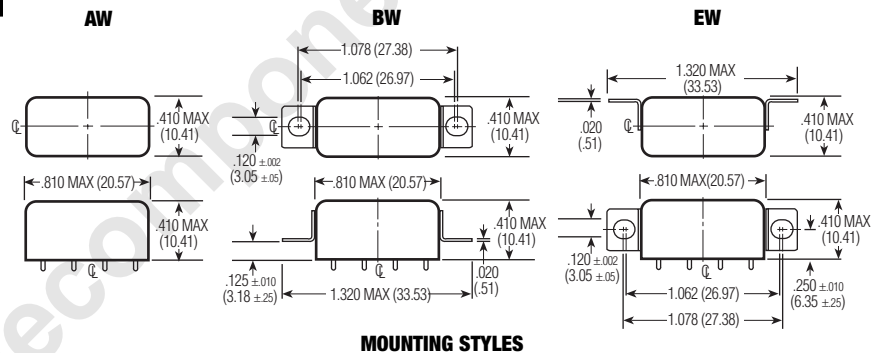
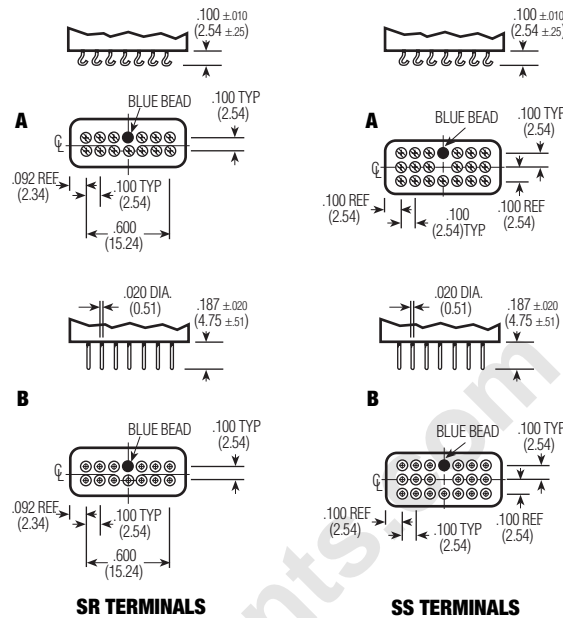
100 G's, 6 ± 1 ms

### QPL APPROVAL

MIL-R-39016/40 (SR)

### QPL EQUIVALENT

MIL-R-39016 (SS)



## STANDARD COIL DATA

NOM. COIL VOLTAGE (Vdc)	COIL RESISTANCE IN OHMS ±10% @ 25°C	PICKUP VOLTAGE Vdc (MAX.) @ 25°C	PICKUP VOLTAGE Vdc (MAX.) @ 125°C	DROPOUT VOLTAGE Vdc (MIN.) @ 25°C	DROPOUT VOLTAGE Vdc (MIN.) @ -65°C	NOM. COIL POWER (W) @ 25°C	MAX. COIL VOLTAGE	COIL DESIG.
5.0	20	2.75	3.8	0.35	0.23	1.25	6.0	5
6.0	25	3.5	4.5	0.45	0.3	1.44	8.0	6
12.0	100	6.5	9.0	0.9	0.6	1.44	15.0	12
26.5	390	14.0	18.0	1.8	1.2	1.8	32.0	24

### SPECIFYING A PART NUMBER EXAMPLE:

TYPE	MOUNTINGS	CONTACTS	COILS	TERMINALS
SR	BW-	4C-	24	B
SS	BW-	6C-	24	B