

A Series

High Performance 3-Phase RFI Power Line Filters for WYE Applications



UL Recognized
CSA Certified
TUV Approved*

A Series

The 3-phase filters are designed for 3-phase, four wire, WYE applications providing filtering in each of the three lines plus the neutral and ground line.

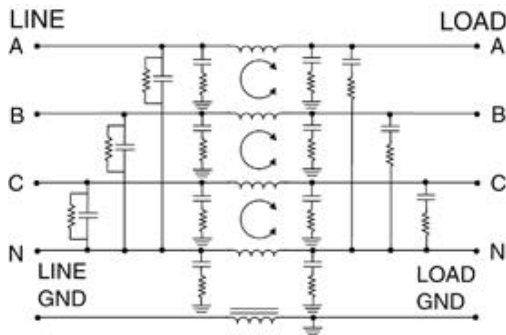
The 3-phase models feature:

- Both common mode and differential mode suppression from 50 kHz to 30 MHz
- Effective for both balanced and unbalanced three phase loads
- Ground choke included
- Made to IEC 380 specifications
- Shielded construction

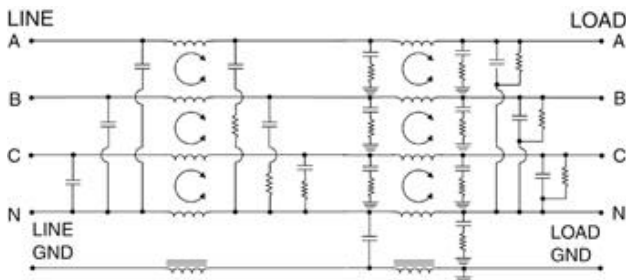
The dual stage AYT provides higher performance, while the single stage AYP is good for lower noise environments.

Electrical Schematics

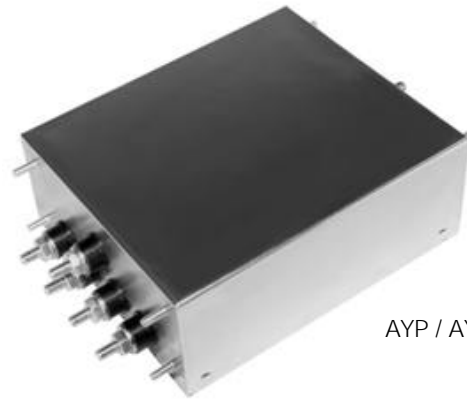
AYP6C Models



AYT6C Models



Resistor location for reference only.
* 20AYT6C and 60AYT6C only.



AYP / AYT

Specifications

Maximum leakage current, each
line-to-ground @ 120 VAC 60 Hz: 1.4 mA
@ 250 VAC 50 Hz: 3.4 mA

Hipot rating (one minute):
line-to-ground 1500 VAC
neutral-to-ground 1500 VAC
line-to-neutral 1450 VDC

Operating frequency: 50/60 Hz

Rated voltage:
phase-to-phase 440 VAC
phase-to-neutral/ground 250 VAC

Minimum insertion loss in dB:

Line-to-ground in 50 ohm circuit

Current Rating per phase	Frequency-MHz						
	.05	.1	.15	.5	1	5	10

AYP6C

20A	22	32	39	55	56	65	65	54
30A	15	24	30	55	55	61	63	50
45A	8	19	25	49	49	56	58	45
60A	5	16	22	50	50	54	54	47

AYT6C

20A	45	63	70	75	75	75	75	65
30A	29	53	61	75	75	75	75	60
45A	15	36	43	75	75	75	75	50
60A	12	37	46	75	75	75	70	45

Line-to-line in 50 ohm circuit

Current Rating per phase	Frequency-MHz						
	.05	.1	.15	.5	1	5	10

AYP6C

20A	20	38	50	65	65	65	60	52
30A	18	28	43	65	65	65	59	48
45A	8	20	27	60	65	65	56	43
60A	20	24	27	60	65	65	56	50

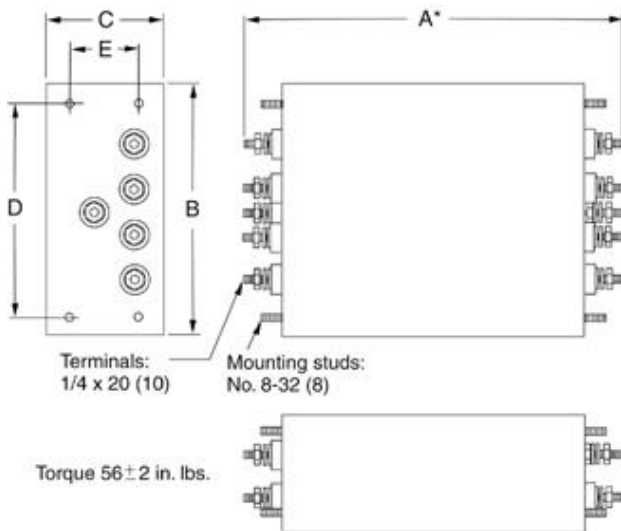
AYT6C

20A	27	56	65	70	70	70	70	70
30A	17	46	55	75	75	75	75	70
45A	14	41	50	75	75	75	75	65
60A	26	50	58	75	75	75	75	60

Case Style

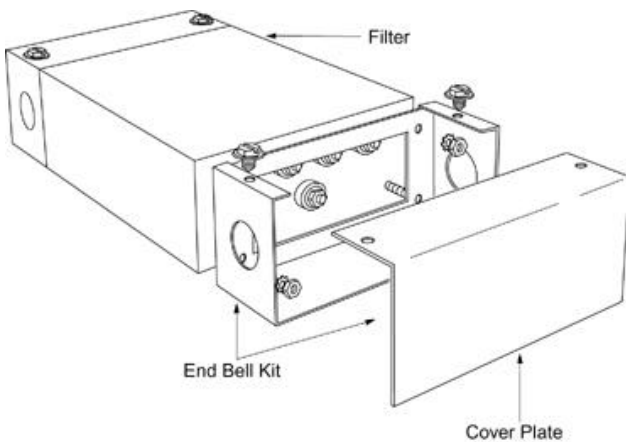
Metric shown in italics.

AYP6C & AYT6C



End Bell Mounting Accessory

End Bell mounting accessory available in two sizes, 20/30 amp and 45/60 amp.



Case Dimensions

Metric shown in italics.

Part No.	A* (max)	B (max)	C (max)	D $\pm .030$ $\pm .76$	E $\pm .015$ $\pm .38$
20AYP6C	$\frac{8.82}{224.0}$	$\frac{5.57}{141.5}$	$\frac{2.56}{65.0}$	$\frac{4.616}{117.2}$	$\frac{1.5}{38.1}$
30AYP6C	$\frac{8.82}{224.0}$	$\frac{5.57}{141.5}$	$\frac{2.56}{65.0}$	$\frac{4.616}{117.2}$	$\frac{1.5}{38.1}$
45AYP6C	$\frac{9.43}{239.5}$	$\frac{6.92}{175.8}$	$\frac{4.82}{122.4}$	$\frac{5.95}{151.1}$	$\frac{3.75}{95.3}$
60AYP6C	$\frac{9.43}{239.5}$	$\frac{6.92}{175.8}$	$\frac{4.82}{122.4}$	$\frac{5.95}{151.1}$	$\frac{3.75}{95.3}$
20AYT6C	$\frac{13.82}{351.0}$	$\frac{5.57}{141.5}$	$\frac{2.56}{65.0}$	$\frac{4.616}{117.2}$	$\frac{1.5}{38.1}$
30AYT6C	$\frac{13.82}{351.0}$	$\frac{5.57}{141.5}$	$\frac{2.56}{65.0}$	$\frac{4.616}{117.2}$	$\frac{1.5}{38.1}$
45AYT6C	$\frac{13.83}{351.3}$	$\frac{6.92}{175.8}$	$\frac{4.82}{122.4}$	$\frac{5.95}{151.1}$	$\frac{3.75}{95.3}$
60AYT6C	$\frac{13.83}{351.3}$	$\frac{6.92}{175.8}$	$\frac{4.82}{122.4}$	$\frac{5.95}{151.1}$	$\frac{3.75}{95.3}$

* For end bell covering terminals and connections, add:

20A & 30A	$\frac{5.57}{141.48}$
45A & 60A	$\frac{6.45}{163.83}$

Pricing

Consult your local Corcom sales representative for pricing.

Part No.	Part No.
20AYP6C	20AYT6C
30AYP6C	30AYT6C
45AYP6C	45AYT6C
60AYP6C	60AYT6C

Mounting Hardware

Mounting Bracket Kit with KEPS Nuts:

AA400 (20/30 Amp)

AA405 (45/60 Amp)

End Bell Kit with KEPS Nuts:

AA406 (20/30 Amp)

AA407 (45/60 Amp)

Additional KEPS Nuts to Mount Filters:

AA401 10 Filters