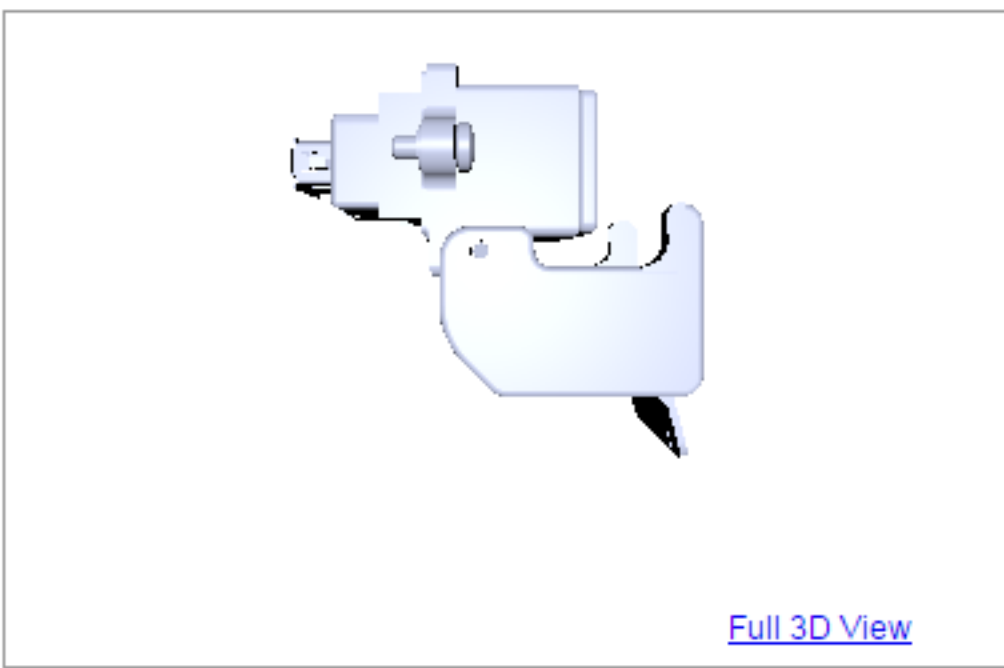


[Home](#) ▶ [Part# Search](#) ▶ [Stock Availability](#)

ID451000

★ [Add to Favorites](#) | [Email Page](#)



PART INFORMATION

Amphenol Part No: ID451000

Description: **Rugged USB A Recept**

RoHS Compliance: Item does not contain RoHS restricted substances above the limits

PACKAGING / ORDERING INFO

Pkg.Qty: **10**

Min Order Qty: **60**

Lead Time (wks): **0**

Package method: **TRAY**

HTSN: **8536.69.4030**

ECCN: **EAR99**

Option	Description
style	Receptacle assembly
specials	5 = Standard
interface description	USB
specials	Standard

PRICE

Please contact your [Sales Location](#) for pricing!

Available Documents



[Cut Sheet](#)



[RoHS Compliance](#)

Drawings



[PDF Drawing](#)



[IGS Files](#)



[STEP Files](#)

[FAQ](#) Frequently asked questions

[Site Map](#) Site Map

[Contact Us](#) Contact Us

[About Us](#) About Us