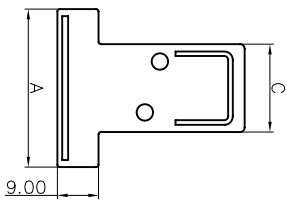
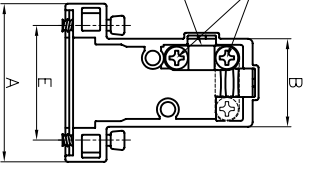
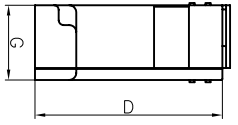
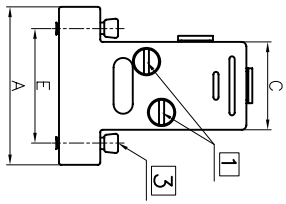
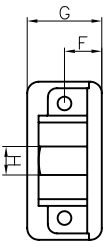


This document is the property of Amphenol Corporation and is delivered on the express condition that it is not to be duplicated, reproduced or used, in whole or in part, without the prior written consent of Amphenol Corporation. Amphenol Corporation and its subsidiaries and affiliates shall not be held liable for any errors or omissions or to use any information in this document.

# Customer drawing

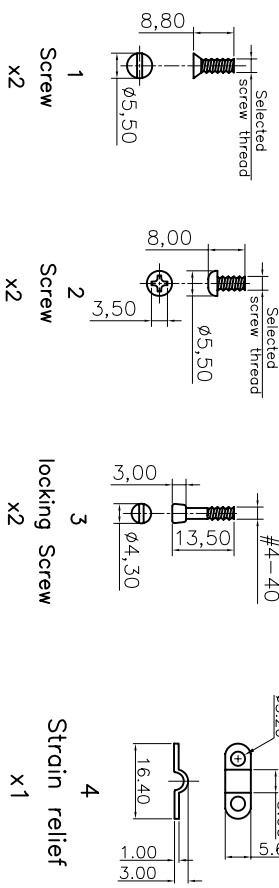
## D-SUB TECHNICAL DATA

REVISONS		DATE	APPROVED
SM	EON	DESCRIPTION	
A	HK4729	Release new drawing	10/19/07
			IP



L17158706 /L17159706

L17158706 /L17159706



### Dimension

size	plastic/short screws	metallized / short screws	Dimension							
			A	B	C	D	E	F	G	H
E	L17-1587-06	L17-1597-06	34.5	19.3	-	40.9	25.0	8.15	16.3	6.4
A	L17-1588-06	L17-1598-06	42.9	27.6	-	48.0	33.3	8.15	16.3	9.5
B	L17-1589-06	L17-1599-06	56.6	41.3	32.5	48.0	47.0	8.15	16.3	9.5
C	L17-1590-06	L17-1600-06	73.0	57.7	35.6	53.1	63.5	8.15	16.3	13.5
D	L17-1591-06		70.6	55.4	39.8	53.1	61.1	9.65	19.2	13.5

Material and finish:  
 Shell: plastic type :plastic  
 metallized type :UL94 V-0 plastic material with plating  
 Locking screws: Steel , nickel plated  
 Long screws can be ordered separately:  
 P/N: L17D4J25401

Screws: Steel, nickel, indication of thread should be matched with the shell  
 Cable strain relief: Steel . nickel plated  
 Temperature range: -40°C to 120°C

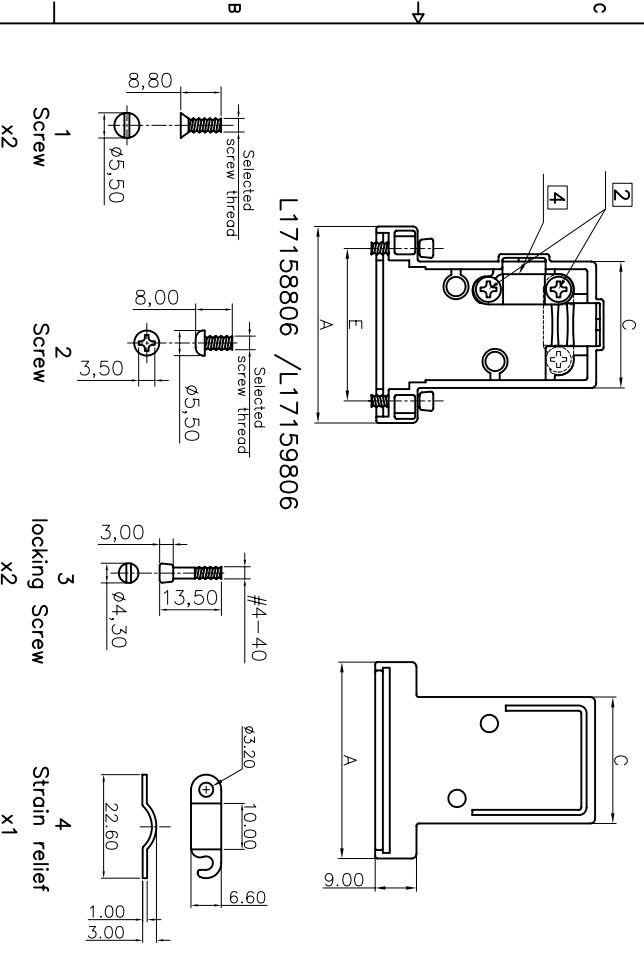
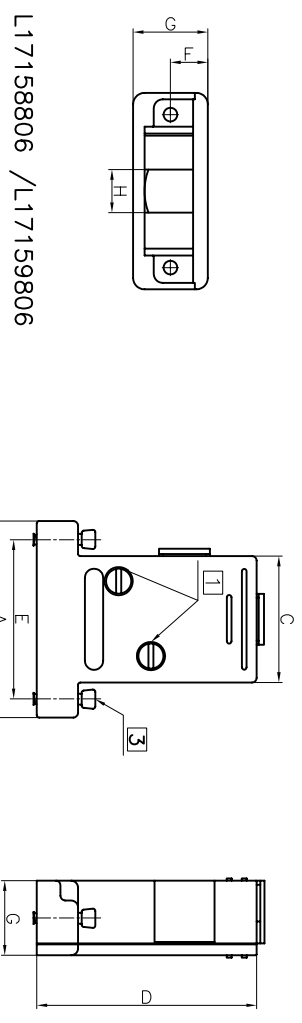
DIN/ANSI SPECIFICATIONS		APPROVAL		DATE	
TOLERANCES		DRAWN	Checked and	10/19/07	
U.S.		CHECKED	10/19/07		
METRIC					
-X	+/-				
-XX	+/-				
-XXX	+/-				
ANGLES	+/-				
5°					
SYN MATERIALS AND FINISHES		DRAWING FILE :			
REMOVE SHARP EDGES		Drawing Date: C/171XXXX06			
DIMENSIONS		ANGLE OF PROJECTION			
FIRST ANGLE		FIRST ANGLE			
MATERIAL		SIZE: DRAWING NO.			
		C L171XXXX06			
		SCALE: NONE			
		SHEET 1 OF 5			
		REV. A			

Amphenol

Metallized and plastic HOOD

This document is the property of Ampiphen Corporation and is delivered on the express condition that it is not to be disseminated, reproduced or used, in whole or in part, for any purpose without the prior consent, and that no right is granted to disclose or to use any information in this document.

# Customer drawing



size	plastic/short screws	metalized / short screws	Dimension							
			A	B	C	D	E	F	G	H
E	L17-1587-06	L17-1597-06	34.5	19.3	-	40.9	25.0	8.15	16.3	6.4
A	L17-1588-06	L17-1598-06	42.9	27.6	-	48.0	33.3	8.15	16.3	9.5
B	L17-1589-06	L17-1599-06	56.6	41.3	32.5	48.0	47.0	8.15	16.3	9.5
C	L17-1590-06	L17-1600-06	73.0	57.7	35.6	53.1	63.5	8.15	16.3	13.5
D	L17-1591-06		70.6	55.4	39.8	53.1	61.1	9.65	19.2	13.5

REVISONS				
S/N	EON	DESCRIPTION	DATE	APPROVED
A	HK4729	Release new drawing	10/19/07	IP

## D-SUB TECHNICAL DATA

Material and finish:  
 Shell: plastic type :plastic  
 metalized type :UL94 V-0 plastic material with plating  
 Locking screws: Steel , nickel plated  
 Long screws can be ordered separately:  
 P/N: L17D4J25401

Screws: Steel, nickel, indication of thread should be matched with the shell  
 Cable strain relief: Steel . nickel plated  
 Temperature range: -40°C to 120°C

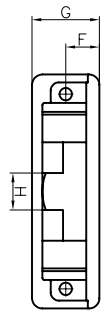
<p><b>DIMENSIONAL TOLERANCES SPECIFIED</b></p> <p>TOLERANCES U.S. METRIC</p> <p>XX +/- 0.50</p> <p>XXX +/- 0.30</p> <p>FRACTIONS +/- 0.20</p> <p>ANGLES 5°</p> <p><b>SPRUE MATERIALS AND FINISHES</b></p> <p>REMOVE SHARP EDGES</p> <p>DIMENSIONS IN MILLIMETERS</p> <p>REMOVE SHARP EDGES</p> <p>ANGLE OF PROJECTION</p>	<p><b>APPROVAL</b></p> <p>DRAWN: [Signature] 10/19/07</p> <p>CHECKED: [Signature] 10/19/07</p>	<p><b>DATE</b></p> <p>10/19/07</p>
<p><b>TITLE</b></p> <p>Metalized and plastic HOOD</p>		<p><b>SIZE</b> DRAWING NO. C L171XXXX06</p> <p><b>SCALE</b> NONE</p> <p><b>SHEET</b> 2 OF 5</p>
<p><b>AMPHENOL</b></p>		<p><b>REV.</b></p> <p>A</p>

This document is the property of Amphenol Corporation and is delivered on the express condition that it is not to be duplicated, reproduced or used, in whole or in part, without the prior consent of Amphenol Corporation. Amphenol Corporation will not be held responsible for any errors or omissions. Amphenol Corporation will not be held responsible for any damage or injury to persons or property or to any equipment or system caused by the use of this document.

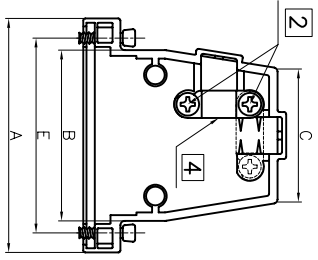
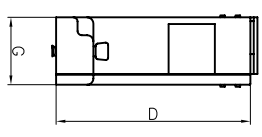
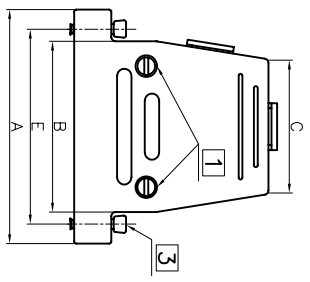
# Customer drawing

## D-SUB TECHNICAL DATA

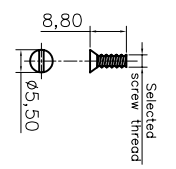
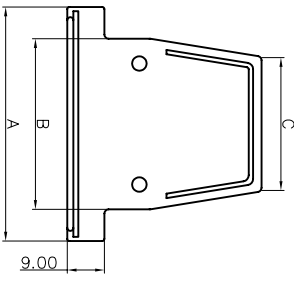
REVISONS		DATE	APPROVED
S/N	DESCRIPTION		
A	HK4729 Release new drawing	10/19/07	IP



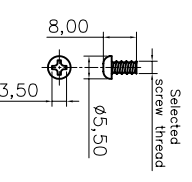
L17158906 /L17159906



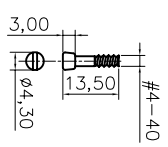
L17158906 /L17159906



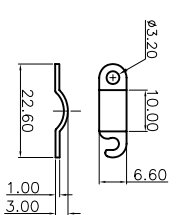
1  
Screw x2



2  
Screw x2



3  
locking Screw x2



4  
Strain relief x1



size	plastic/short screws	metallized / short screws	Dimension							
			A	B	C	D	E	F	G	H
E	L17-1587-06	L17-1597-06	34.5	19.3	-	40.9	25.0	8.15	16.3	6.4
A	L17-1588-06	L17-1598-06	42.9	27.6	-	48.0	33.3	8.15	16.3	9.5
B	L17-1589-06	L17-1599-06	56.6	41.3	32.5	48.0	47.0	8.15	16.3	9.5
C	L17-1590-06	L17-1600-06	73.0	57.7	35.6	53.1	63.5	8.15	16.3	13.5
D	L17-1591-06		70.6	55.4	39.8	53.1	61.1	9.65	19.2	13.5

Material and finish:  
 Shell: plastic type :plastic  
 metallized type :UL94 V-0 plastic material with plating  
 Locking screws: Steel , nickel plated  
 Long screws can be ordered separately:  
 P/N: L17D4J25401

Screws: Steel, nickel, indication of thread should be matched with the shell

Cable strain relief: Steel . nickel plated

Temperature range: -40°C to 120°C

DIN/ANSI SPECIFICATIONS		APPROVAL		DATE	
TOLERANCES		DRAWN		10/19/07	
U.S.		CHECKED		10/19/07	
METRIC		CHECKED			
X +/-					
XX +/-					
XXX +/-					
FRACTIONS +/-					
ANGLES +/-					
5'					
SYN MATERIALS AND FINISHES		DRAWING FILE :		C:\P1\XXXX06	
REMOVE SHARP EDGES		ANGLE OF PROJECTION			
DIMENSIONS		FIRST ANGLE			
TOLERANCES		SCALE		NONE	
NONE		SIZE		A4	
		DRAWING NO.		C L171XXXX06	
		SCALE		NONE	
		SHEET		3 OF 5	
		REV.		A	

TITLE  
Metallized and plastic HOOD

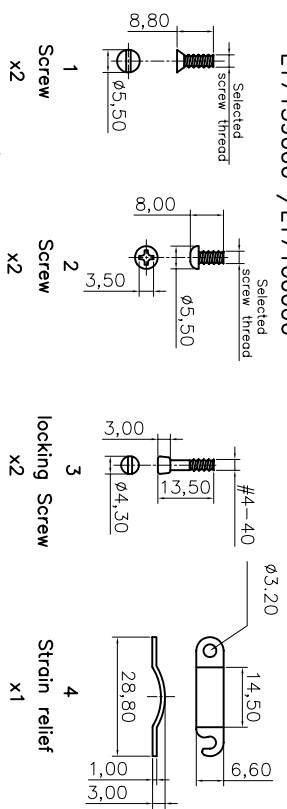
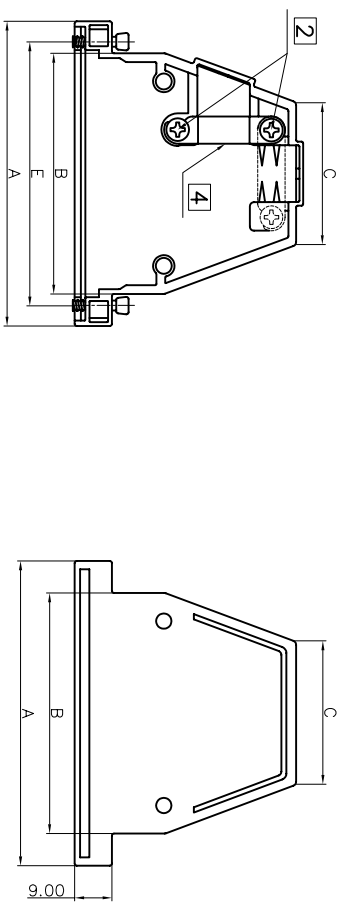
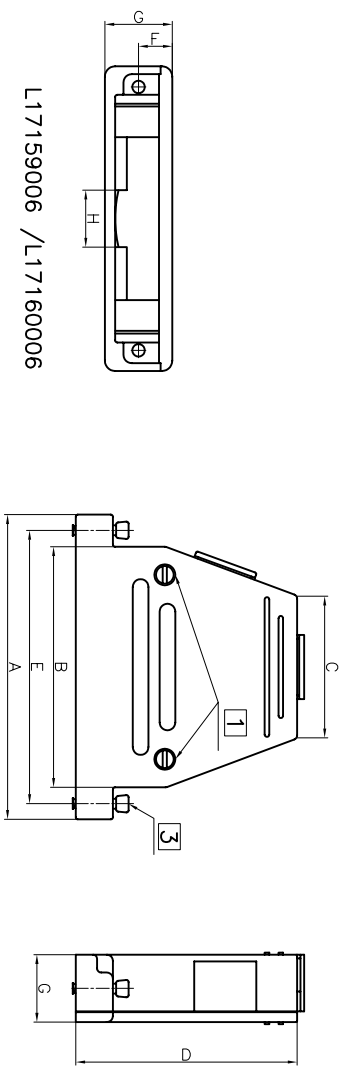
Amphenol

This document is the property of Amphenol Corporation and is delivered on the express condition that it is not to be duplicated, reproduced or used, in whole or in part, without the prior consent of Amphenol Corporation. Amphenol Corporation will not be held liable for any loss or damage, or for any delay, or to use any information in this document.

# Customer drawing

## D-SUB TECHNICAL DATA

REVISIONS		DATE	APPROVED
S/N	DESCRIPTION		
A	Release new drawing	10/19/07	IP



size	plastic/short screws	metallized / short screws	Dimension							
			A	B	C	D	E	F	G	H
E	L17-1587-06	L17-1597-06	34.5	19.3	-	40.9	25.0	8.15	16.3	6.4
A	L17-1588-06	L17-1598-06	42.9	27.6	-	48.0	33.3	8.15	16.3	9.5
B	L17-1589-06	L17-1599-06	56.6	41.3	32.5	48.0	47.0	8.15	16.3	9.5
C	L17-1590-06	L17-1600-06	73.0	57.7	35.6	53.1	63.5	8.15	16.3	13.5
D	L17-1591-06		70.6	55.4	39.8	53.1	61.1	9.65	19.2	13.5

Material and finish:  
 Shell: plastic type :plastic  
 metallized type :UL94 V-0 plastic material with plating  
 Locking screws: Steel , nickel plated  
 Long screws can be ordered separately:  
 P/N: L17D4J25401

Screws: Steel, nickel, indication of thread should be matched with the shell

Cable strain relief: Steel . nickel plated

Temperature range: -40°C to 120°C

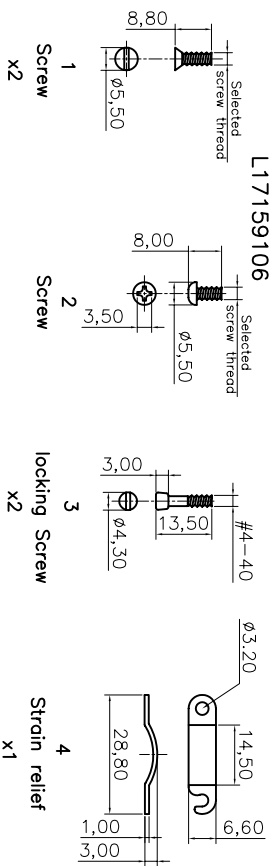
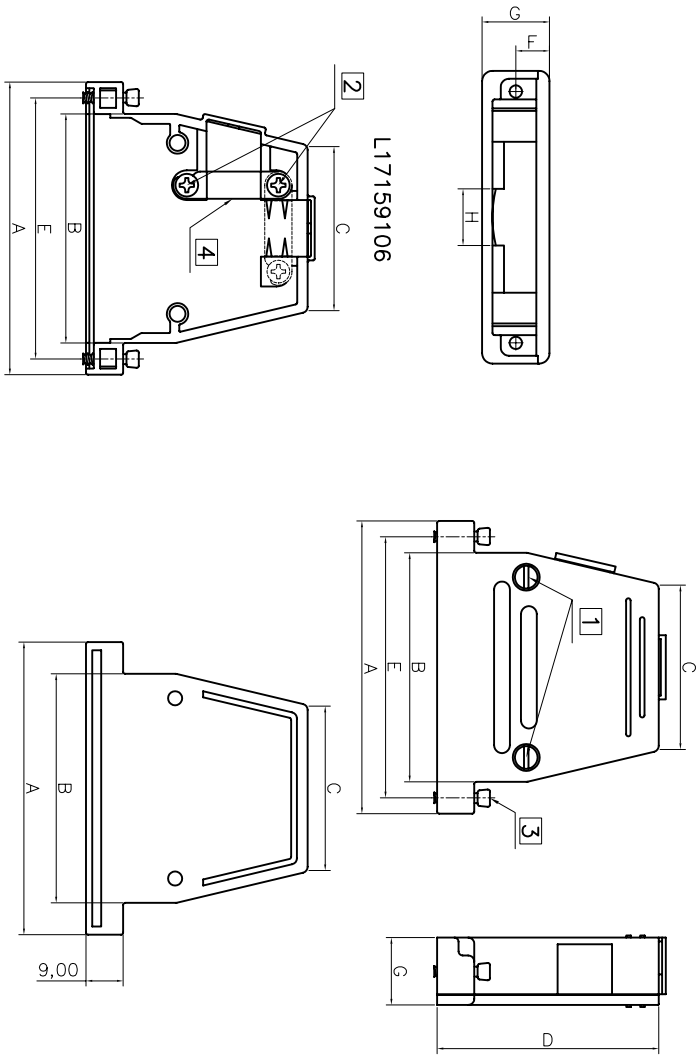
DIVERS OPERATING SPECIFIED TOLERANCES		APPROVAL		DATE	
U.S.		DRAWN		10/19/07	
METRIC		CHECKED		10/19/07	
X +/-		CHECKED			
XX +/-					
XXX +/-					
FRACTIONS +/-					
ANGLES +/-					
5'					
FOR MATERIALS AND FINISHES REMOVE SHARP EDGES		DRAWING FILE :		C:\P1\XXXX06	
DIMENSIONS		ANGLE OF PROJECTION			
FIRST ANGLE					
THIRD ANGLE					
NONE					
SCALE		SIZE		REV.	
NONE		A4		C L171XXXX06	
				SHEET 4 OF 5	

TITLE: Metallized and plastic HOOD

Amphenol

This document is the property of Amphenol Corporation and is delivered on the express condition that it is not to be duplicated, reproduced or used, in whole or in part, without the prior consent, in writing, of Amphenol Corporation. No part of this document may be reproduced, stored in a retrieval system, or transmitted in any form or by any means, electronic, mechanical, photocopying, recording, or by any information storage and retrieval system, without the prior consent, in writing, of Amphenol Corporation or to use any information in this document.

# Customer drawing



size	plastic/short screws	metallized / short screws	Dimension							
			A	B	C	D	E	F	G	H
E	L17-1587-06	L17-1597-06	34.5	19.3	-	40.9	25.0	8.15	16.3	6.4
A	L17-1588-06	L17-1598-06	42.9	27.6	-	48.0	33.3	8.15	16.3	9.5
B	L17-1589-06	L17-1599-06	56.6	41.3	32.5	48.0	47.0	8.15	16.3	9.5
C	L17-1590-06	L17-1600-06	73.0	57.7	35.6	53.1	63.5	8.15	16.3	13.5
D	L17-1591-06		70.6	55.4	39.8	53.1	61.1	9.65	19.2	13.5



REVISIONS				
S/N	E/CN	DESCRIPTION	DATE	APPROVED
A	HK4729	Release new drawing	10/19/07	IP

## D-SUB TECHNICAL DATA

Material and finish:  
 Shell: plastic type :plastic  
 metallized type :UL94 V-0 plastic material with plating  
 Locking screws: Steel , nickel plated  
 Long screws can be ordered separately:  
 P/N: L17D4J25401

Screws: Steel, nickel, indication of thread should be matched with the shell

Cable strain relief: Steel . nickel plated

Temperature range: -40°C to 120°C

DIN/ISS OTHERWISE SPECIFIED		APPROVAL		DATE	
TOLERANCES		DRAWN	Checked and	10/19/07	
U.S.		CHECKED	10/19/07		
METRIC					
-X	+/-				
-XX	+/-				
-XXX	+/-				
ANGLES	+/-				
5°					
FOR MATERIALS AND FINISHES		DRAWING FILE : Drawing/Draw/CP17159106			
REMOVE SHARP EDGES		ANGLE OF PROJECTION			
DIMENSIONS		FIRST ANGLE			
TYPICAL		SIZE DRAWING NO.			
NONE		C L17159106			
SCALE		NONE			
SHEET		5 OF 5			
REV.		A			

Amphenol

Metallized and plastic HOOD