

Introduction

ITT Cannon's Between Series Adaptors are widely used for high efficiency transitions between various types of r.f. coaxial connectors. They are used for connecting test equipment to systems employing a different type connector, or they are used as a component in electronic equipment where it is desirable to have one type of connector for external connections and another type for internal connections.

All between series adaptors are designed for lowest VSWR characteristics up to the frequency limits of the connector types involved. All popular types of miniature, sub-miniature and micro-miniature designs are available.



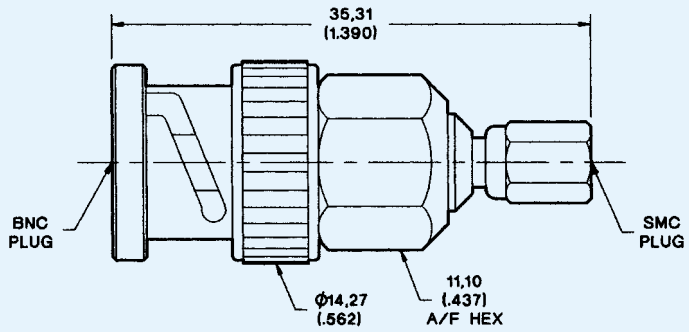
INDEX

SMB / SMC to 50 Ω BNC	Pages 93 - 94
SMB / SMC to Precision TNC	Page 95
SMA to SMB / SMC	Pages 95 - 97
SMA to BNC	Pages 97 - 98
SMA to Precision TNC	Page 99
SMA to SSMB / SSMC	Page 99
SMA to Precision N	Pages 100 - 101
SMA to SMS	Page 102
SMA to SIS®	Pages 102 - 103
SMA to SSIS®	Pages 103 - 104

SMB / SMC to 50 Ω BNC

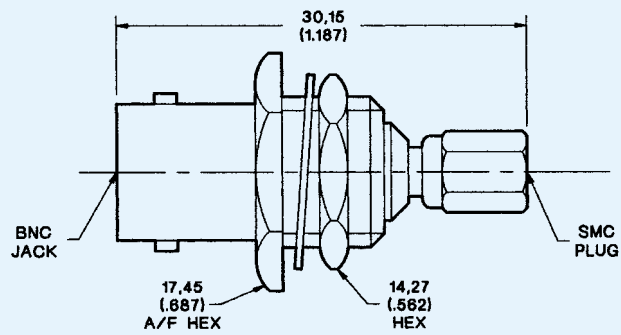
BNC Plug to SMC Plug

Part Number
050-073-6800220



BNC Jack to SMC Bulkhead Plug

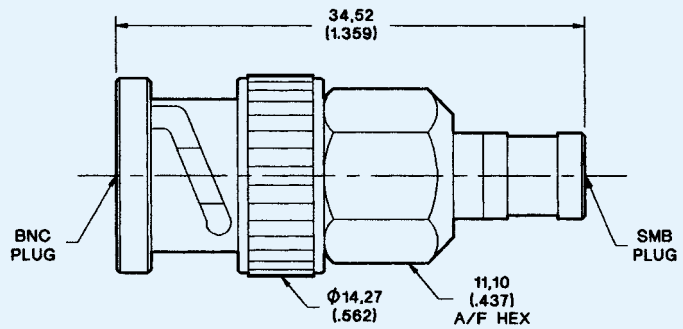
Part Number
050-077-6801220



Mounting Plan Y (Page 109). Panel Thickness 3,18 (.125) max.

BNC Plug to SMB Plug

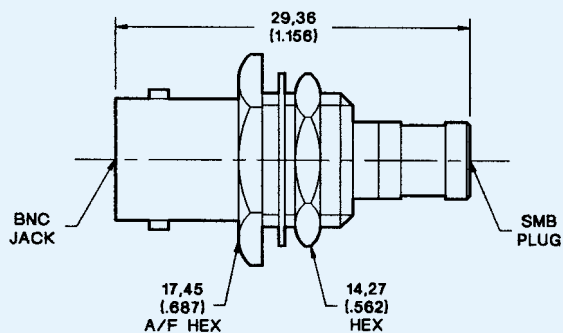
Part Number
051-073-6800220



Adaptors

BNC Jack to SMB Bulkhead Plug

Part Number
051-077-6801220

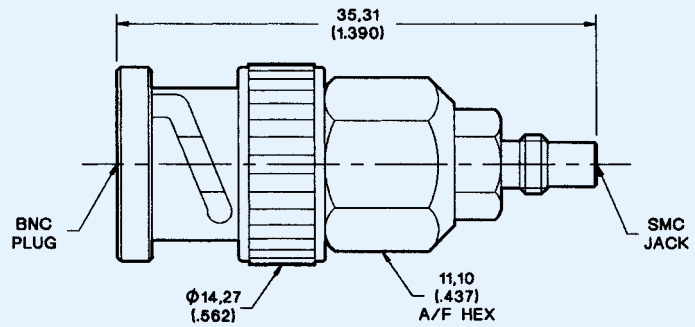


Mounting Plan Y (Page 109). Panel Thickness 3,18 (.125) max.

SMB / SMC to 50 Ω BNC

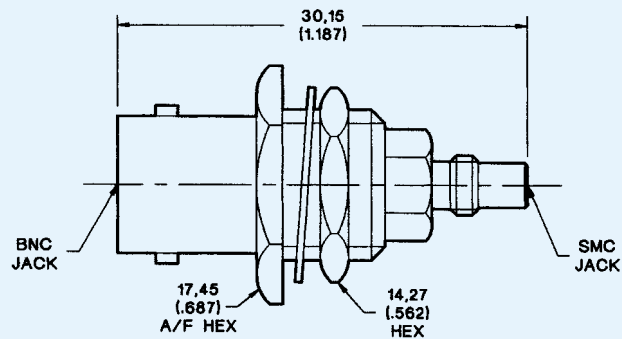
BNC Plug to SMC Jack

Part Number
050-074-6800220



BNC Jack to SMC Bulkhead Jack

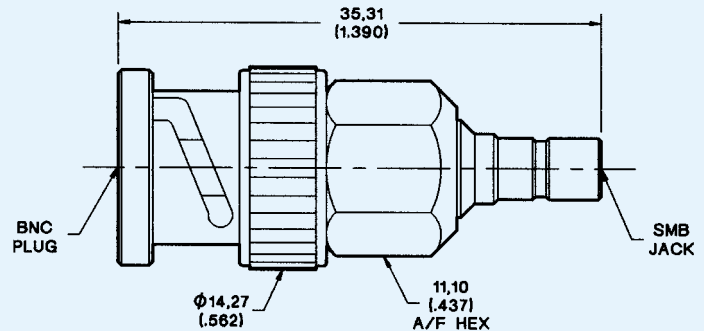
Part Number
050-075-6801220



Mounting Plan Y (Page 109). Panel Thickness 3,18 (.125) max.

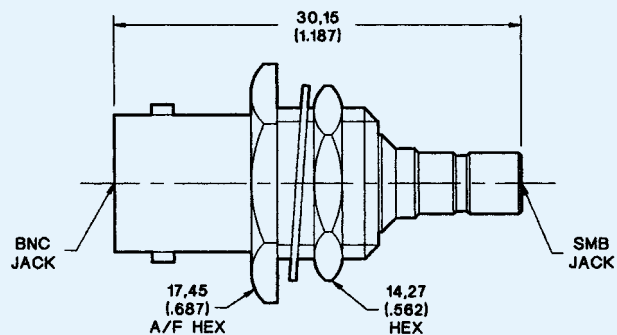
BNC Plug to SMB Jack

Part Number
051-074-6800220



BNC Jack to SMB Bulkhead Jack

Part Number
051-075-6801220

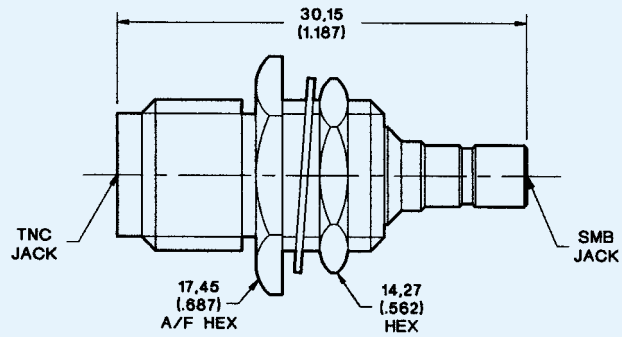


Mounting Plan Y (Page 109). Panel Thickness 3,18 (.125) max.

SMB / SMC to Precision TNC

TNC Jack to SMB Bulkhead Jack

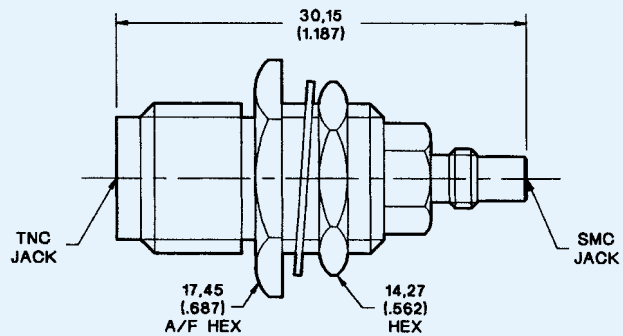
Part Number
051-075-6901220



Mounting Plan Y (Page 109). Panel Thickness 3,18 (.125) max.

TNC Jack to SMC Bulkhead Jack

Part Number
050-075-6901220

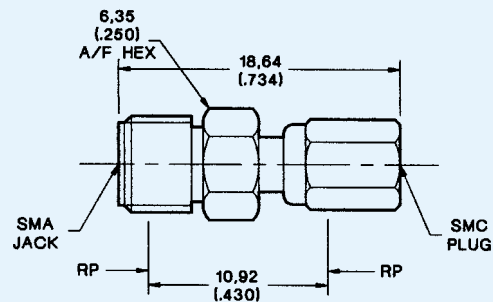


Mounting Plan Y (Page 109). Panel Thickness 3,18 (.125) max.

SMA to SMB / SMC

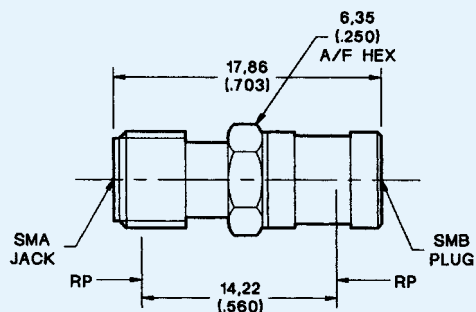
SMA Jack to SMC Plug

Part Number
050-074-6201310



SMA Jack to SMB Plug

Part Number
050-674-6302310

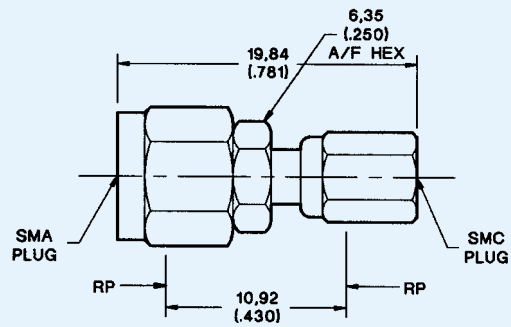


Adaptors

SMA to SMB / SMC

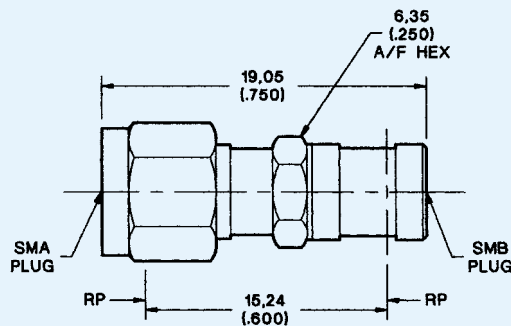
SMA Plug to SMC Plug

Part Number
050-073-6200310



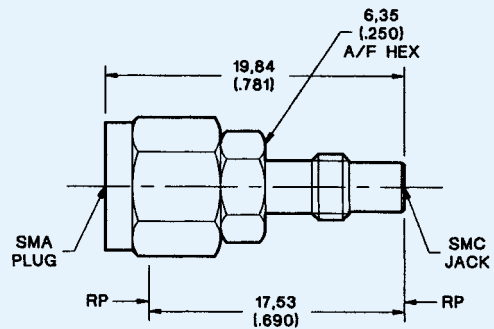
SMA Plug to SMB Plug

Part Number
050-673-6302310



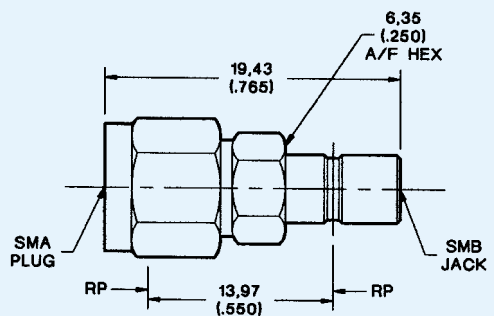
SMA Plug to SMC Jack

Part Number
050-074-6200310



SMA Plug to SMB Jack

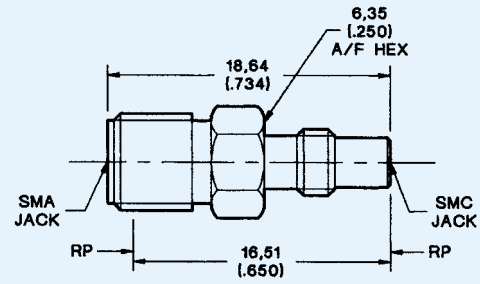
Part Number
050-674-6303310



SMA to SMB / SMC

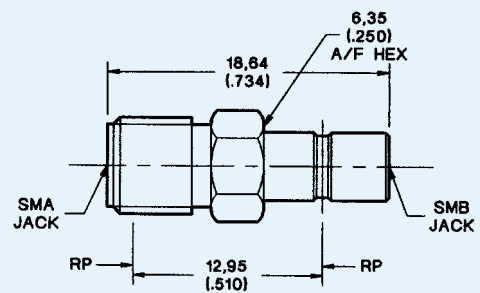
SMA Jack to SMC Jack

Part Number
050-072-6201310



SMA Jack to SMB Jack

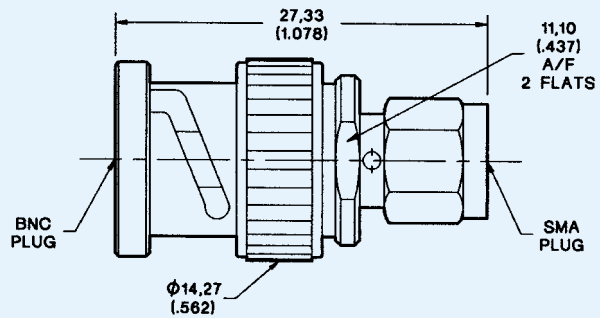
Part Number
050-672-6303310



SMA to BNC

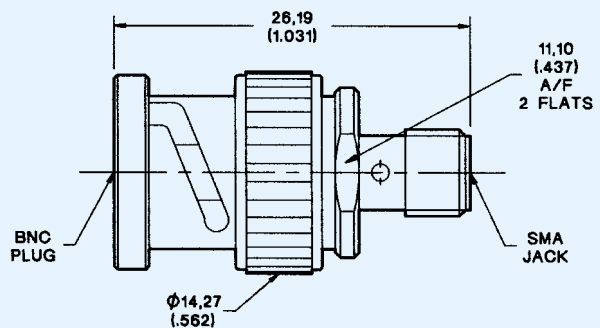
BNC Plug to SMA Plug

Part Number
050-673-6800890



BNC Plug to SMA Jack

Part Number
050-674-6800890

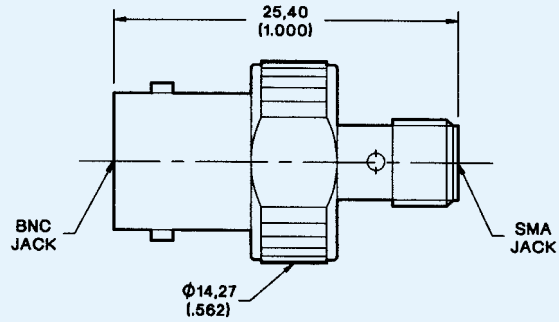


Adaptors

SMA to BNC

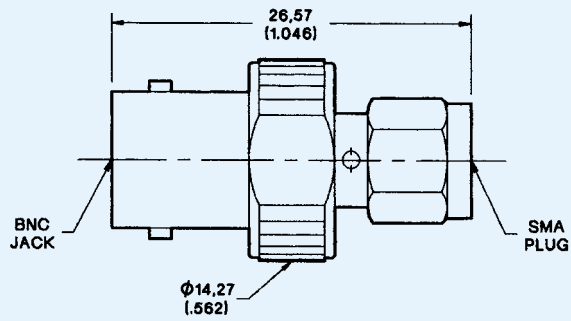
BNC Jack to SMA Jack

Part Number
050-672-6801890



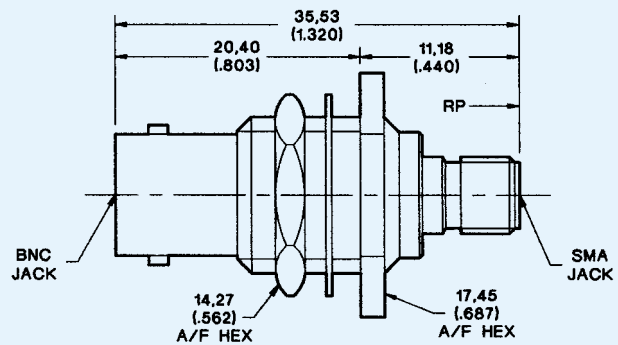
BNC Jack to SMA Plug

Part Number
050-674-6801890



BNC Bulkhead Jack to SMA Jack

Part Number
050-675-6801890



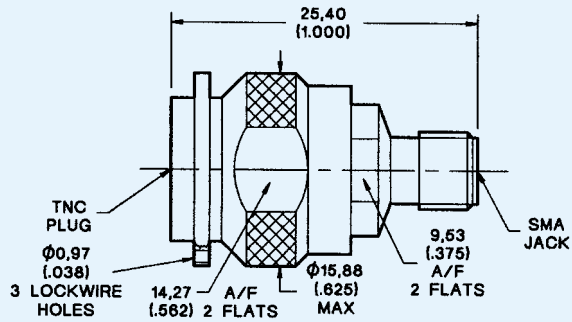
Mounting Plan Z (Page 109). Panel Thickness 3,18 (.125) max.

SMA to Precision TNC

TNC Plug to SMA Jack

Part Number
050-674-6900890

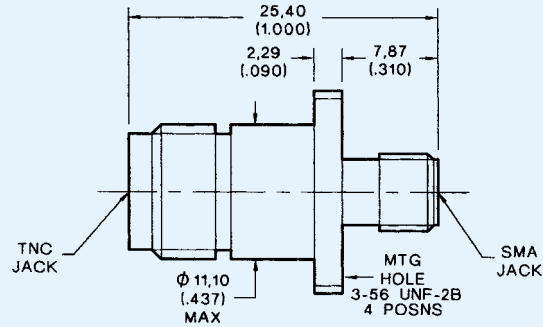
VSWR:
1.04 + .008f (GHz) DC - 12.4 GHz
1.08 + .010f (GHz) 12.4 - 18 GHz



TNC Jack to SMA Panel Mount Jack

Part Number
050-675-6901890

VSWR:
1.04 + .008f (GHz) DC - 12.4 GHz
1.08 + .010f (GHz) 12.4 - 18 GHz

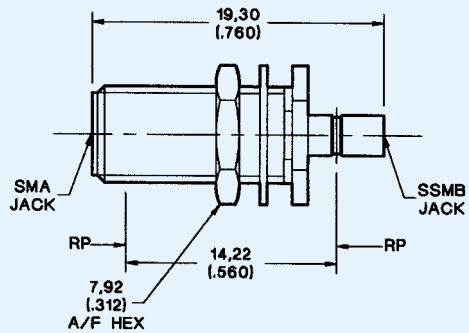


Panel Thickness 4,75 (.187) max.

SMA to SSMB / SSMC

SMA Bulkhead Jack to SSMB Jack

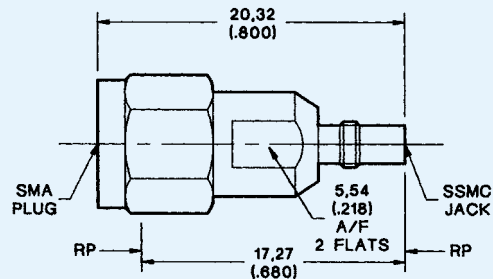
Part Number
051-475-6201220



Mounting Plan W (Page 109). Panel Thickness 3,18 (.125) max.

SMA Plug to SSMC Jack

Part Number
050-474-6200220



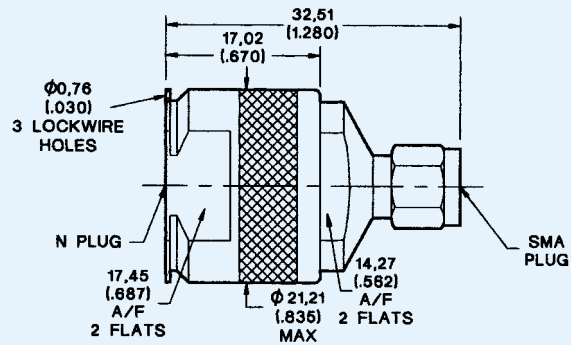
Adaptors

SMA to Precision N

N Plug to SMA Plug

Part Number
050-673-6700890

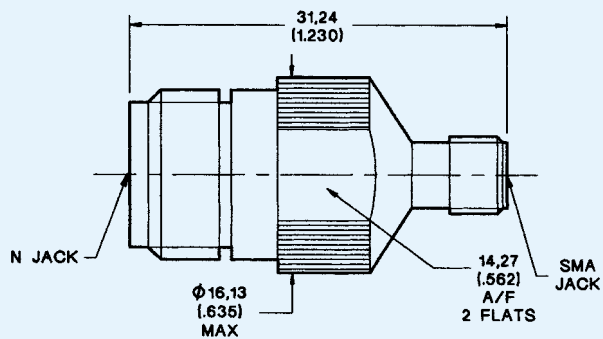
VSWR:
1.10 + .01f (GHz) DC - 12.4 GHz
1.10 + .016f (GHz) 12.4 - 18 GHz



N Jack to SMA Jack

Part Number
050-672-6701890

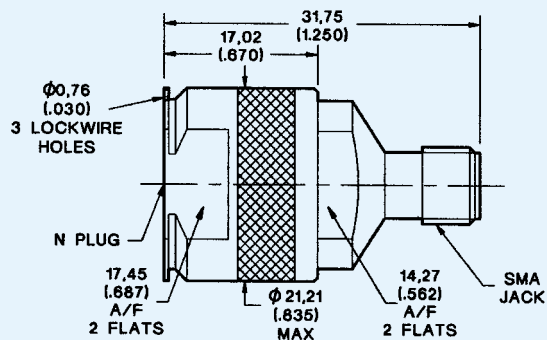
VSWR
1.06 + .005f (GHz) DC - 12.4 GHz
1.06 + .010f (GHz) 12.4 - 18 GHz



N Plug to SMA Jack

Part Number
050-674-6700890

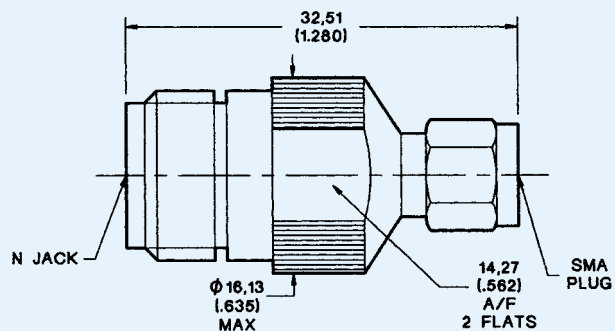
VSWR
1.10 + .01f (GHz) DC - 12.4 GHz
1.10 + .016f (GHz) 12.4 - 18 GHz



N Jack to SMA Plug

Part Number
050-674-6701890

VSWR
1.04 + .005f (GHz) DC - 12.4 GHz
1.04 + .010f (GHz) 12.4 - 18 GHz

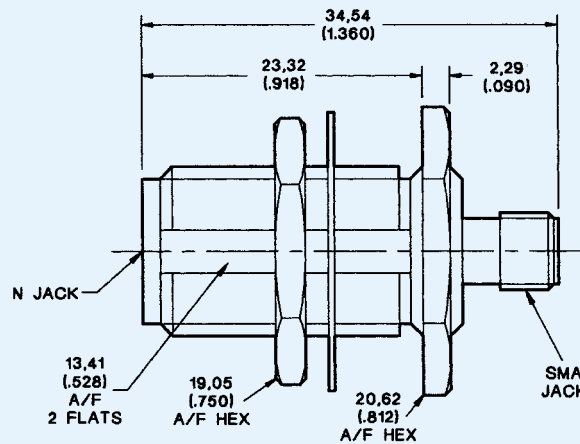


SMA to Precision N

N Bulkhead Jack to SMA Jack

Part Number
050-675-6705890

VSWR:
1.06 + .005f (GHz) DC - 12.4 GHz
1.06 + .010f (GHz) 12.4 - 18 GHz

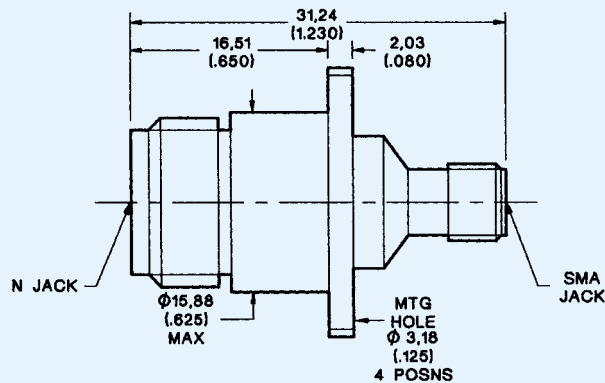


Mounting Plan AA (Page 109). Panel Thickness 6,35 (.250) max.

N Jack to SMA Panel Mount Jack

Part Number
050-675-6701890

VSWR:
1.06 + .005f (GHz) DC - 12.4 GHz
1.06 + .010f (GHz) 12.4 - 18 GHz



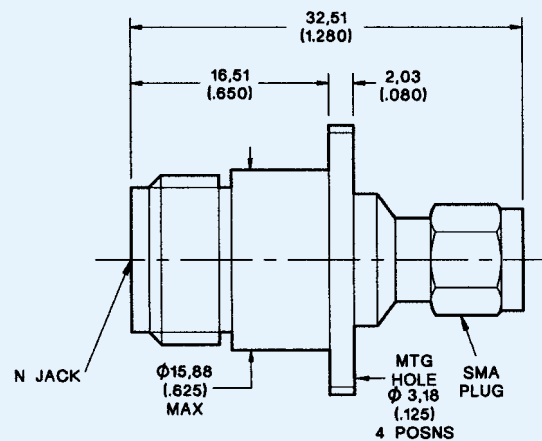
Panel Thickness 4,75 (.187) max.

Adaptors

N Jack to SMA Panel Mount Plug

Part Number
050-677-6701890

VSWR:
1.04 + .005f (GHz) DC - 12.4 GHz
1.04 + .010f (GHz) 12.4 - 18 GHz

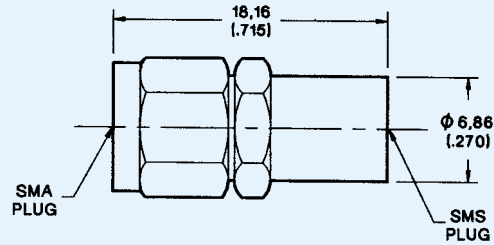


Panel Thickness 4,75 (.187) max.

SMA to SMS

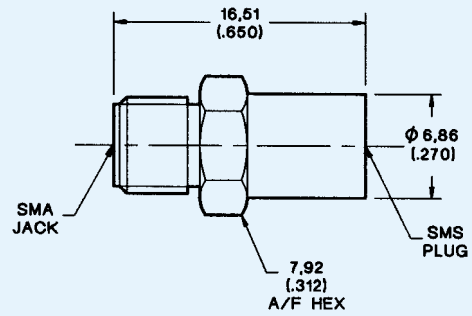
SMA Plug to SMS Plug

Part Number
050-673-6204890



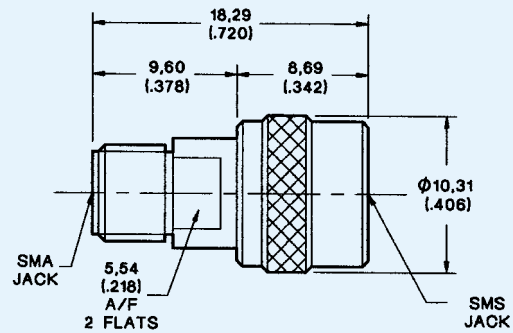
SMA Jack to SMS Plug

Part Number
050-674-6204890



SMA Jack to SMS Jack

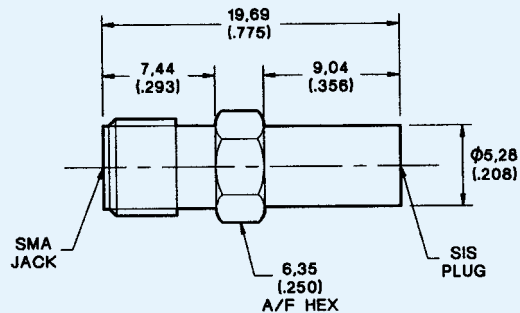
Part Number
050-672-6206990



SMA to SIS®

SMA Jack to SIS Plug

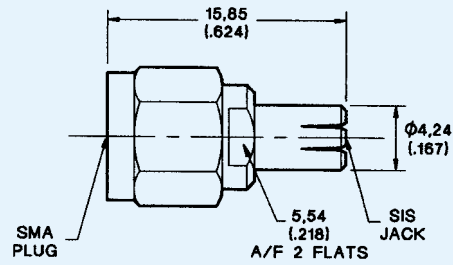
Part Number
050-674-6207890



SMA to SIS®

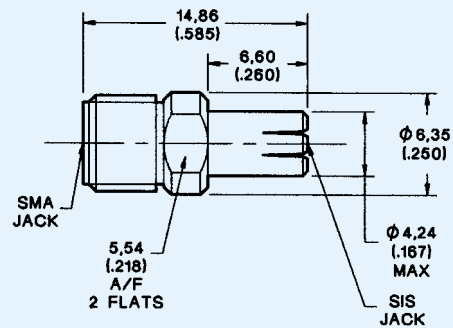
SMA Plug to SIS Jack

Part Number
050-674-6208220



SMA Jack to SIS Jack

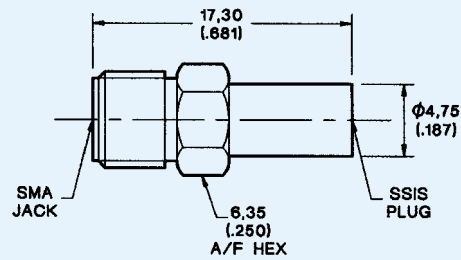
Part Number
050-672-6208220



SMA to SSIS®

SMA Jack to SSIS Plug

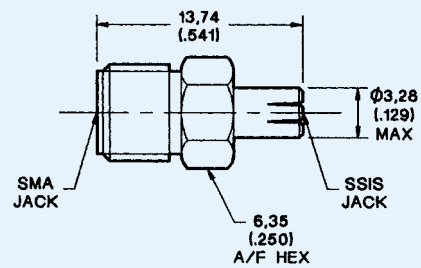
Part Number
050-674-6210890



Adaptors

SMA Jack to SSIS Jack

Part Number
050-672-6211220



SMA to SSIS®

SMA Plug to SSIS Plug

Part Number
050-673-6210890

