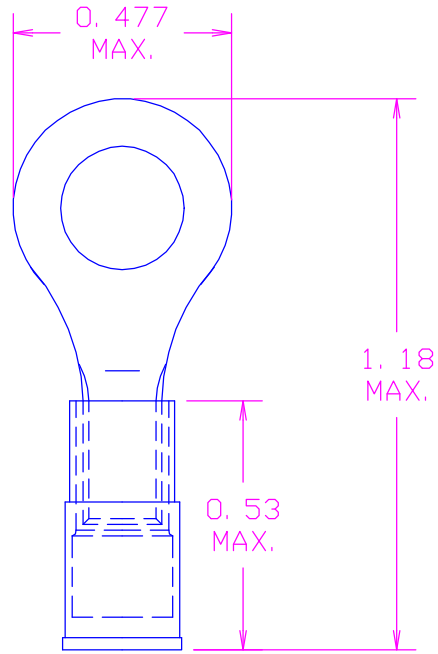


DATE	SYM	REVISION RECORD	AUTH.	DR.	CK.
1/29/02	-	ISSUED	JL	NT	JL



MATERIAL: TERMINAL- COPPER, .032"MAX. THICKNESS

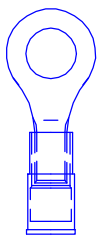
SLEEVE- TIN PLATED BRASS

INSULATION- NYLON (BLUE)

WIRE RANGE: 16-14

STUD SIZE: 1/4(6)

ACTUAL SIZE



TOLERANCES (EXCEPT AS NOTED)	CONCORD		ELECTRONICS CORPORATION
DECIMAL + -	P/N	SCALE	30 GREAT JONES ST. NEW YORK N. Y. 10012
FRACTIONAL + -	TITLE RING TONGUE INSULATED TERMINAL		
ANGULAR + -	DATE 1/29/02	DRAWING NUMBER 701-2490	