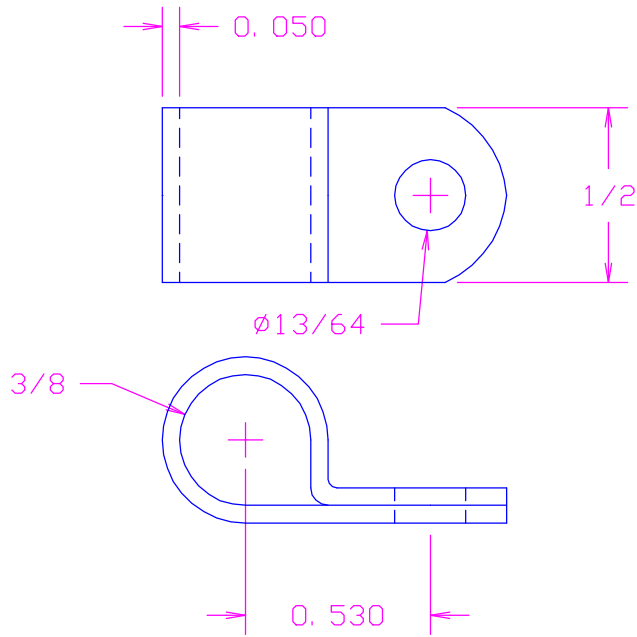


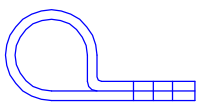
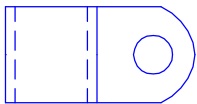
DATE	SYM	REVISION RECORD	AUTH.	DR.	CK.
4/21/97	-	ISSUED		NT	MM
3/24/03	1	ADDED ALL NYLON COLORS	JL	NT	JL



MATERIAL: NYLON

COLOR(XX): (10)-BLACK  
(19)- WHITE

ACTUAL SIZE



TOLERANCES (EXCEPT AS NOTED)	CONCORD ELECTRONICS CORPORATION		
DECIMAL ± .010	P/N	SCALE	30 GREAT JONES ST. NEW YORK N. Y. 10012
FRACTIONAL ± 1/64	TITLE CABLE CLIP		
ANGULAR ±	DATE 4/21/97	DRAWING NUMBER 770-1205-XX	