

# GROUNDING BINDING POSTS

## 01-1060-1-02XX MOLDED HEAD-GROUNDING TYPE

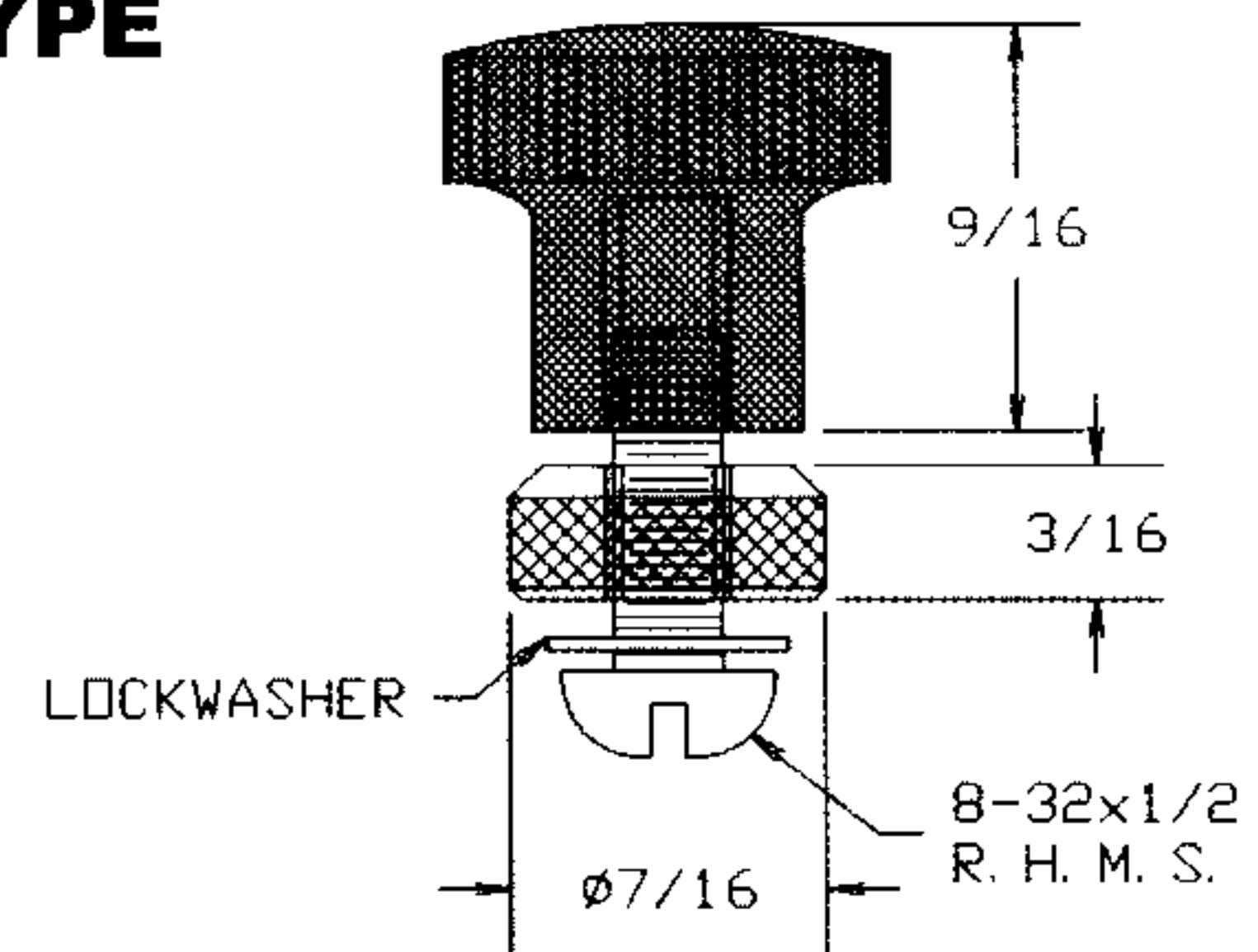
FINISH COLOR

RATED FOR 15 AMPS CONTINUOUS DUTY



Molded head contains threaded brass insert. Knurled nut is nickel plated brass. Screw and lockwasher are supplied.

RED	BLK
12	10



## 01-1061-1-02XX MOLDED HEAD-GROUNDING TYPE

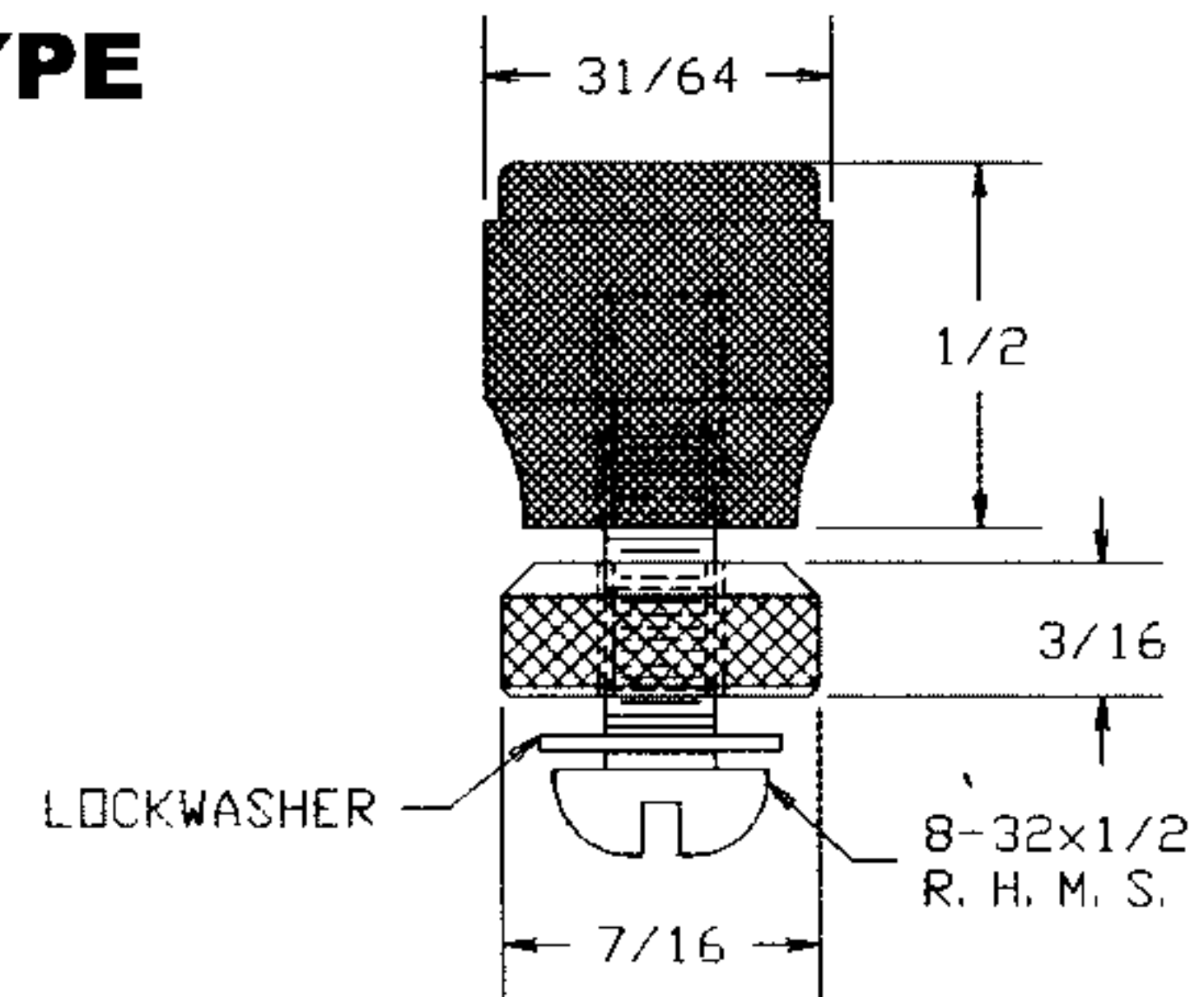
FINISH COLOR

RATED FOR 15 AMPS CONTINUOUS DUTY



Molded head contains threaded brass insert. Knurled nut is nickel plated brass. Screw and lockwasher are supplied.

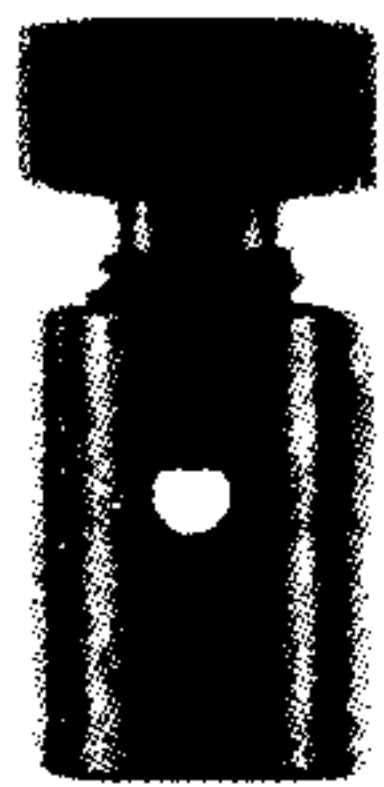
RED	BLK
12	10



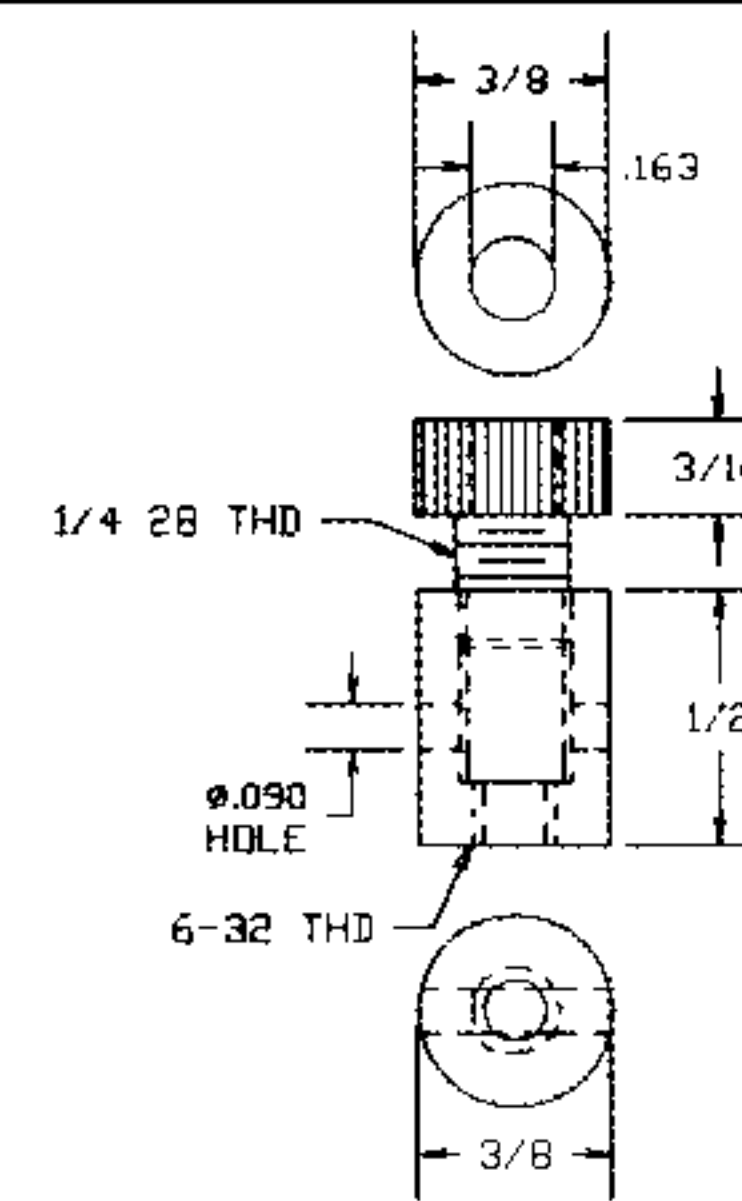
## 01-1050-1-02 ALL METAL GROUNDING

FINISH

RATED FOR 15 AMPS CONTINUOUS DUTY



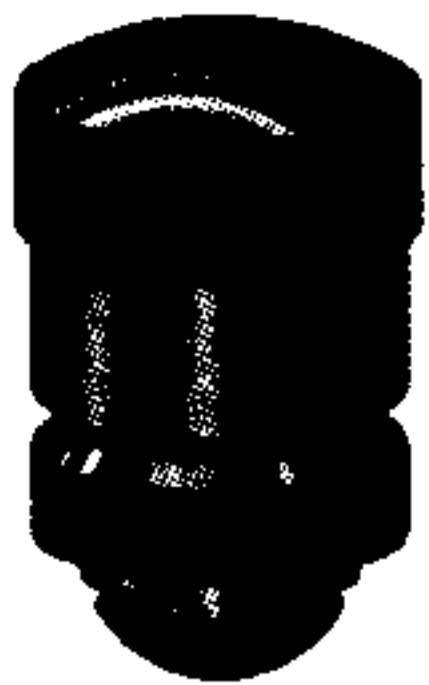
Binding post is designed to connect three ways. Nickel plated brass head accepts standard banana plug. Nickel plated brass body accepts standard .080 phone tip. Wire or flat lug can be clamped between head and body.



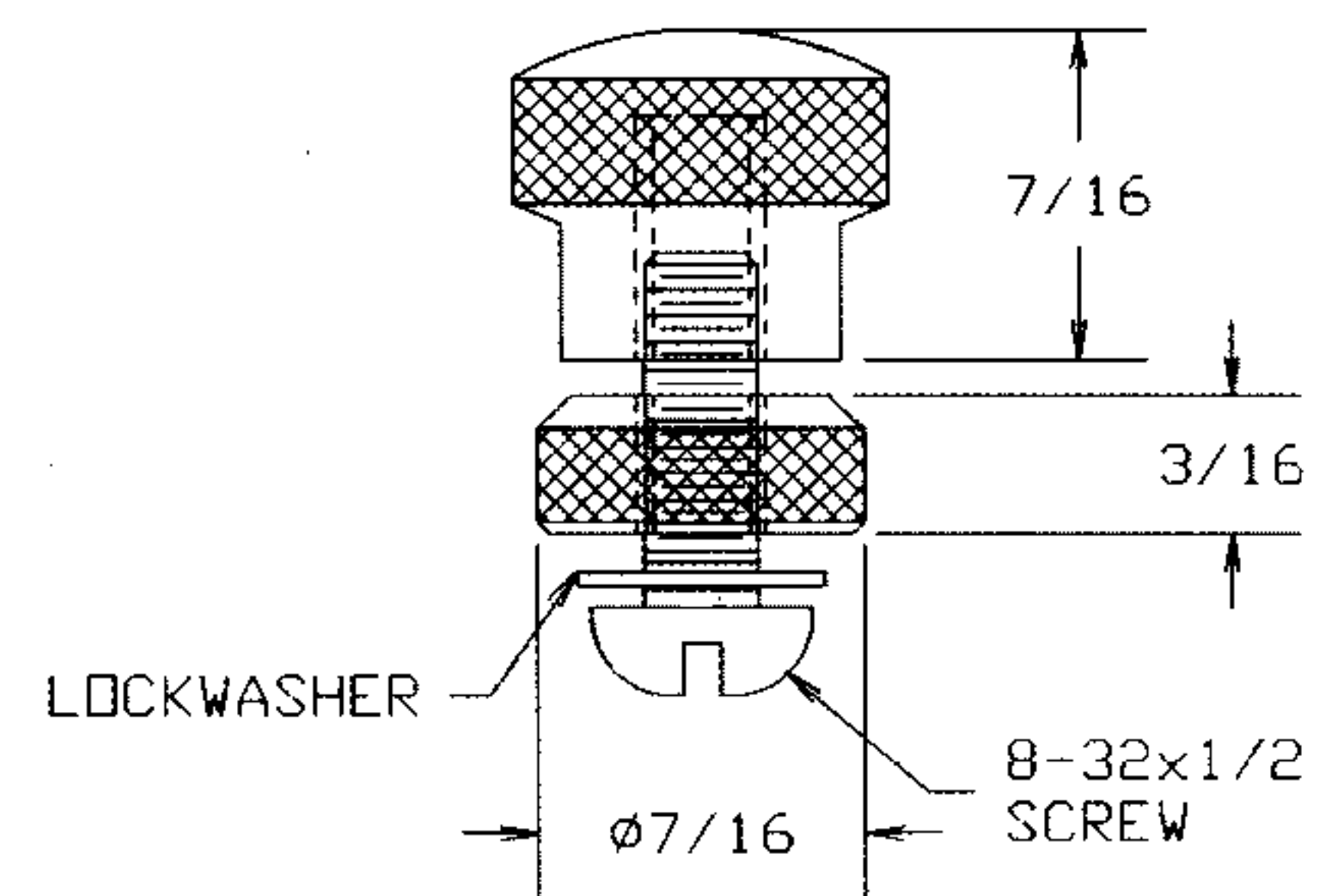
## 01-1051-1-02 ALL METAL GROUNDING

FINISH

RATED FOR 15 AMPS CONTINUOUS DUTY



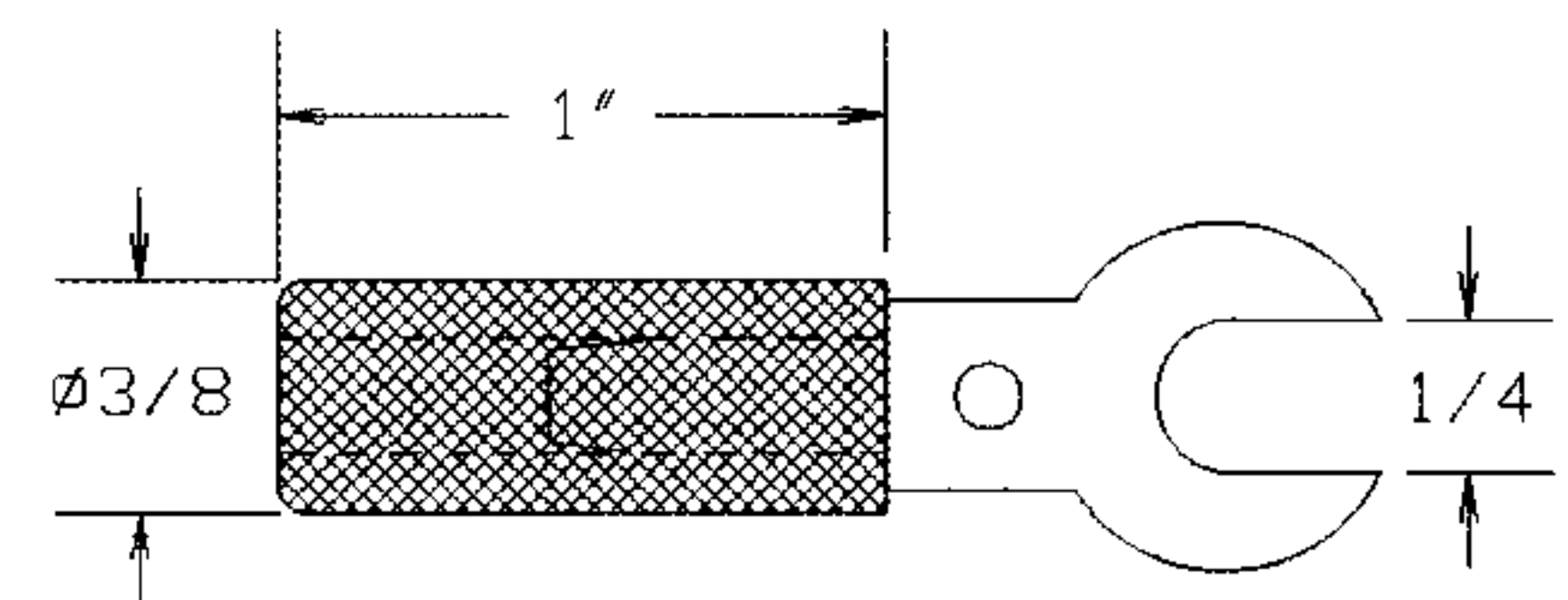
Head and knurled nut are nickel plated brass. Screw and lockwasher are supplied.



## 01-2900-1-044XX SPADE LUG ADAPTER

FINISH COLOR INSULATED

Handle is molded plastic. Lug is bright electro-tin plated brass. Fits all standard binding posts. Lug can be removed from handle to allow soldering of wire (up to No.10) in cross hole. Available in colors. (see color chart)

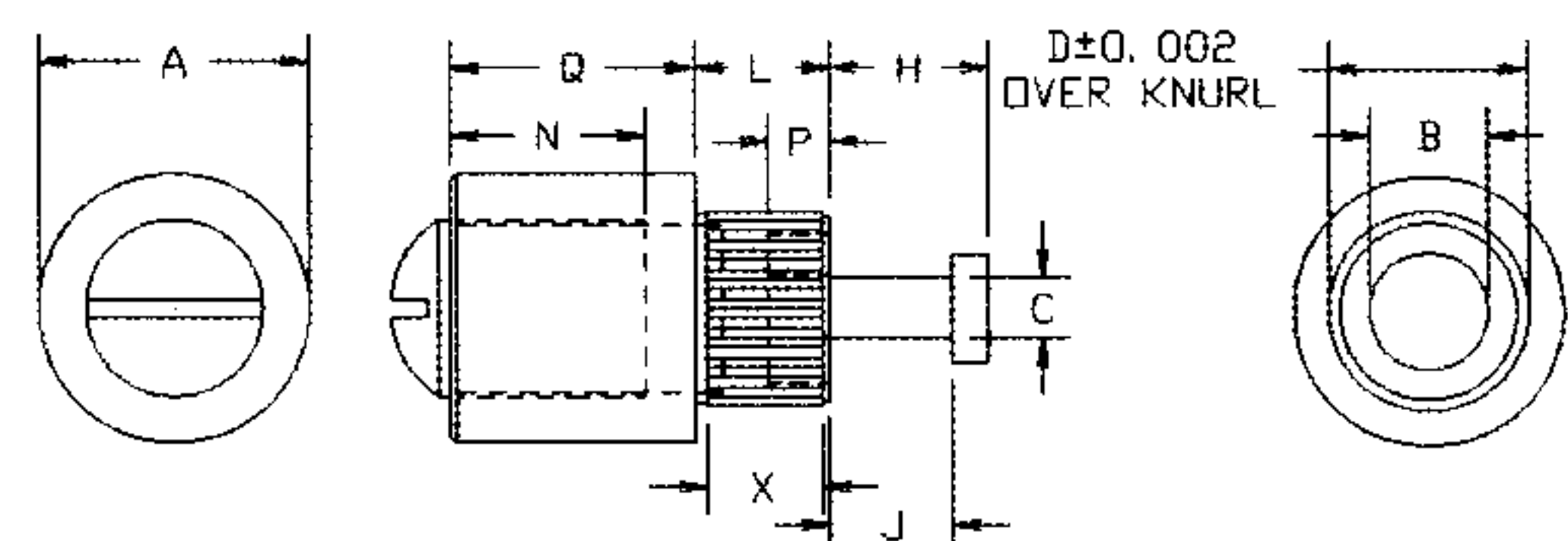
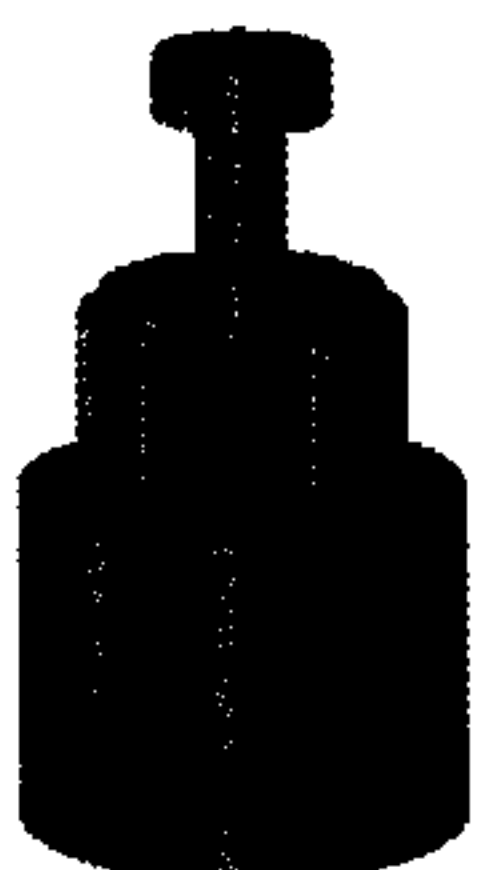


BLK	BRN	RED	ORN	YEL	GRN	BLU	PUR	GRY	WHT
10	11	12	13	14	15	16	17	18	19

## 10-75X-X-044 ALL METAL GROUNDING

FINISH

Binding post is swage mounted onto chassis. Body is bright tin plated brass. Binding head machine screw and lockwasher are supplied.



No.	A	B	C	D	H	J	L	N	P	Q	X	Tap	T
10-753-3	.312	.125	.068	.220	.172	.125	.141	.218	.062	.250	.117	6-32	3/32
10-754-4	.344	.141	.078	.250	.203	.156	.172	.250	.078	.312	.148	8-32	1/8
10-756-6	.375	.156	.094	.257	.203	.156	.234	.312	.093	.375	.190	10-32	3/16

FOR ADDITIONAL SIZES AND MATERIALS, CONTACT FACTORY

