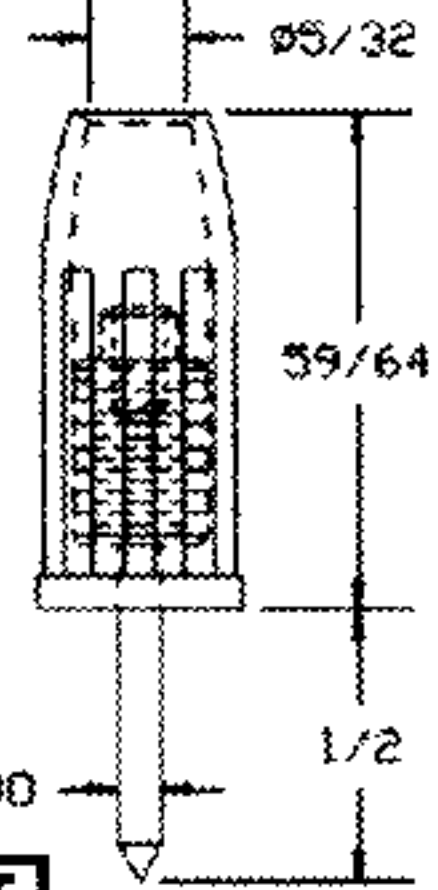


PHONE TIP PLUGS

01-2134-1-02XX PHONE TIP PLUG FINISH COLOR INSULATED SHORT HANDLE

RATED FOR 12 AMPERES CONTINUOUS DUTY - SOLDER TYPE

For standard phone tip jacks. No metal exposed when fully inserted eliminating the chance of shock or grounding. Available in colors (see color chart).



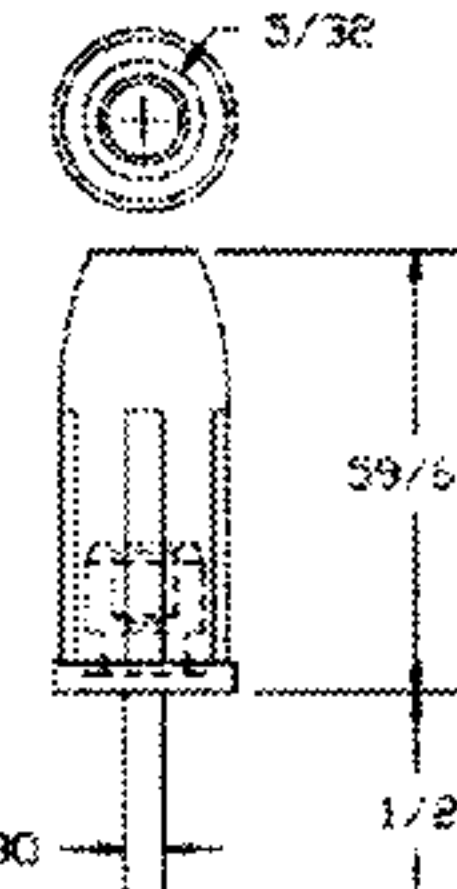
COMPONENT	MATERIAL	(02) FINISH
Plug Body	Brass	Nickel
Handle	Molded Plastic	-

BLK	BRN	RED	ORN	YEL	GRN	BLU	PUR	GRY	WHT
10	11	12	13	14	15	16	17	18	19

01-2135-1-02XX PHONE TIP PLUG FINISH COLOR INSULATED SHORT HANDLE

RATED FOR 12 AMPERES CONTINUOUS DUTY - SOLDERLESS TYPE

For standard phone tip jacks. Wire is inserted thru rear and cross holes in plug body and then wrapped around threaded portion. No metal exposed when fully inserted eliminating the chance of shock or grounding. Available in colors (see color chart).



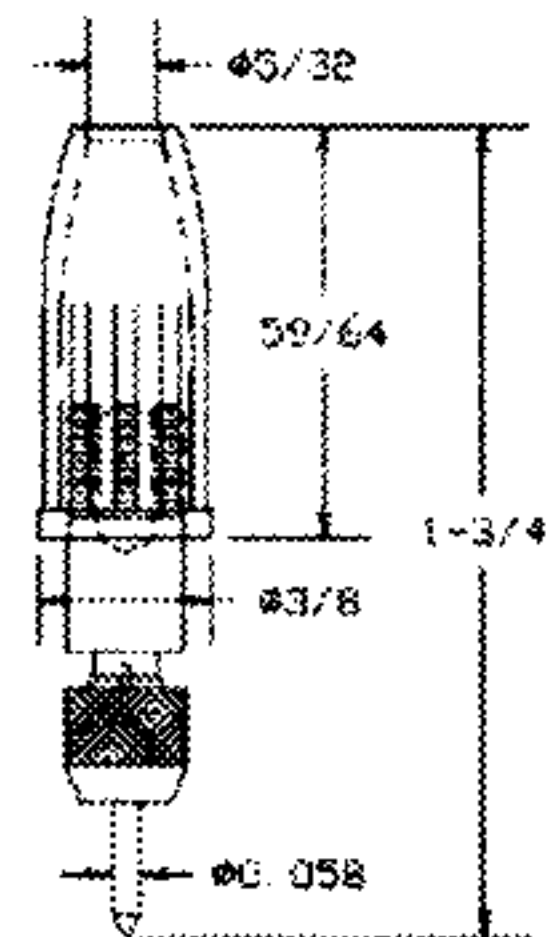
COMPONENT	MATERIAL	(02) FINISH
Plug Body	Brass	Nickel
Handle	Molded Plastic	-

BLK	BRN	RED	ORN	YEL	GRN	BLU	PUR	GRY	WHT
10	11	12	13	14	15	16	17	18	19

01-2140-1-02XX INSULATED PLUG FINISH COLOR PHONE NEEDLE SHORT HANDLE

RATED FOR 12 AMPERES CONTINUOUS DUTY SOLDER TYPE

Pin vise design for easy removal and replacement of needle.



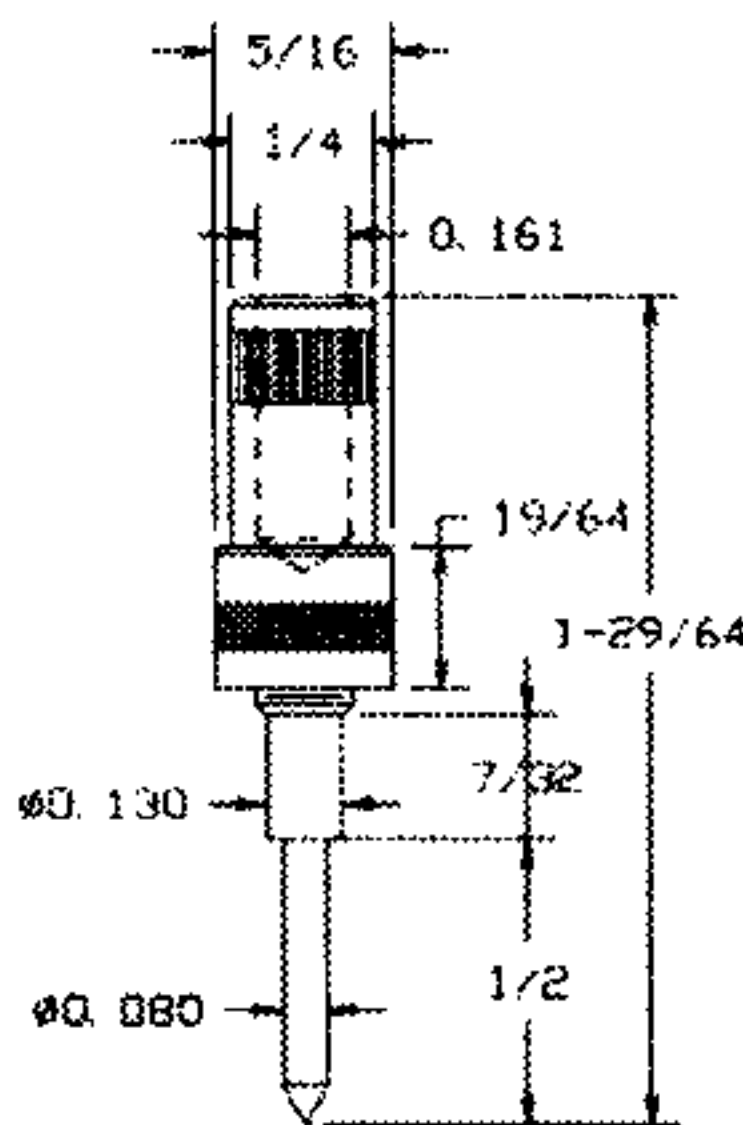
COMPONENT	MATERIAL	(02) FINISH
Plug Body	Brass	Nickel
Handle	Molded Plastic	-

BLK	BRN	RED	ORN	YEL	GRN	BLU	PUR	GRY	WHT
10	11	12	13	14	15	16	17	18	19

01-4101-1-02 PHONE TIP PLUG FINISH PRESS MOUNT

RATED FOR 12 AMPERES CONTINUOUS DUTY SOLDERLESS TYPE

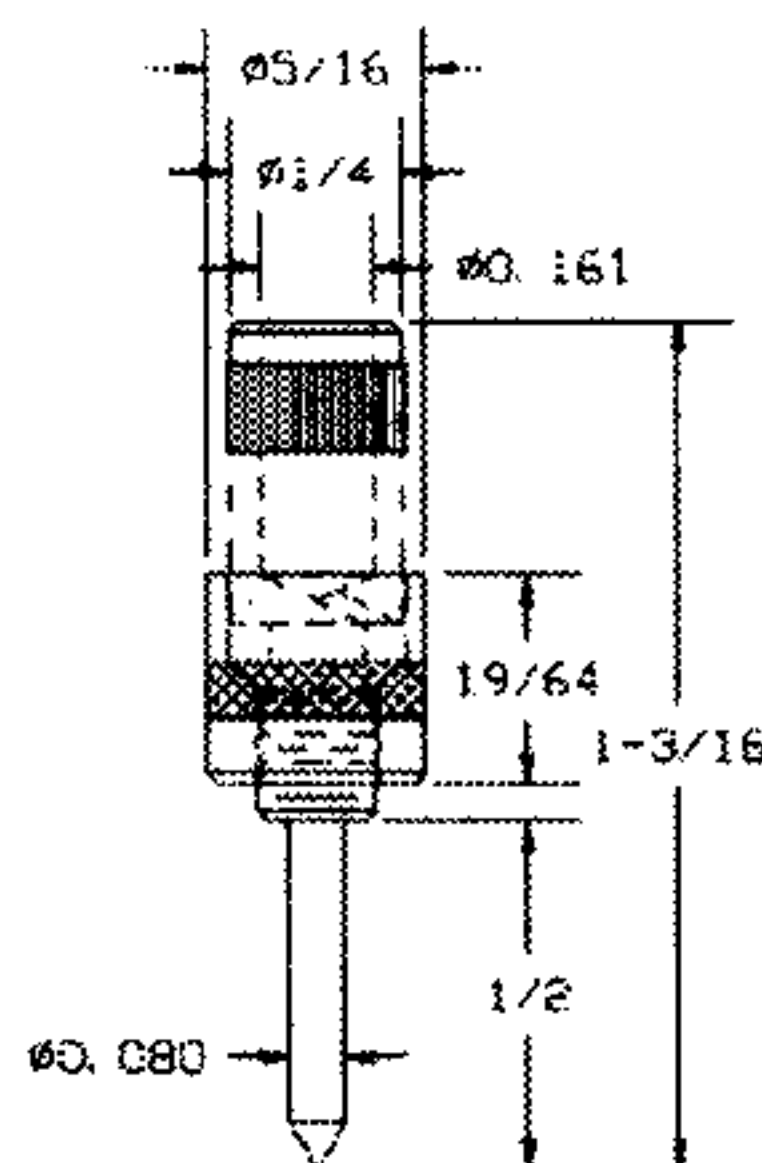
For standard phone tip jacks. Wire is inserted thru rear and cross holes in plug body and then wrapped around threaded portion. Threaded collar tightens down wire. All parts are nickel plated brass.



01-4102-1-02 PHONE TIP PLUG FINISH PRESS MOUNT

RATED FOR 12 AMPERES CONTINUOUS DUTY SOLDERLESS TYPE

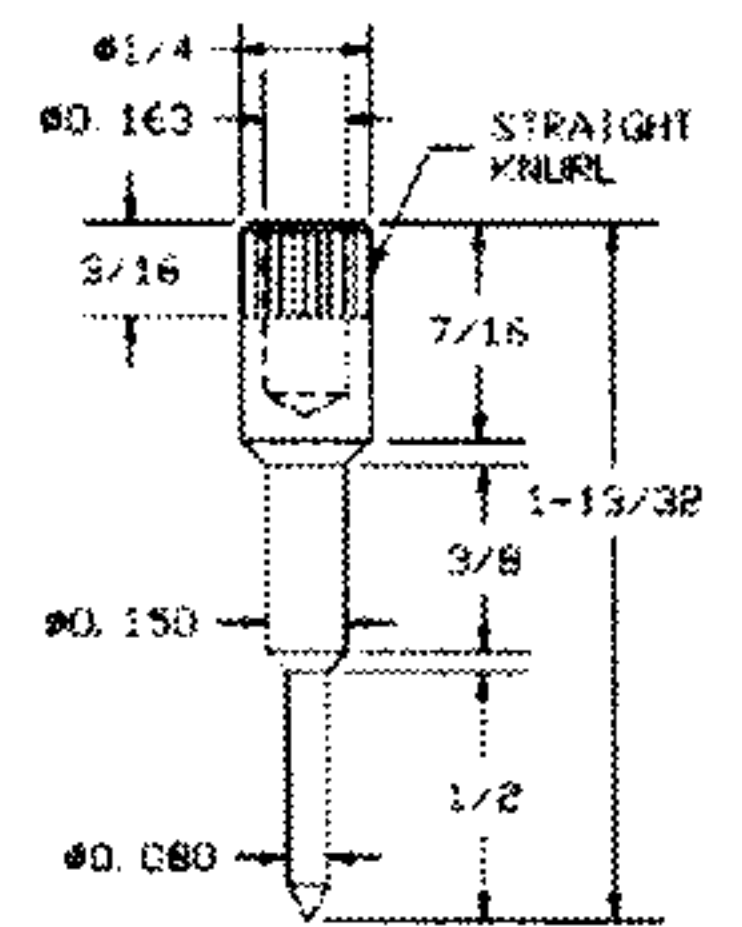
For standard phone tip jacks. Wire is inserted thru rear and cross holes in plug body and then wrapped around threaded portion. Threaded collar tightens down wire. All parts are nickel plated brass.



01-4103-1-02 PHONE TIP PLUG FINISH PRESS MOUNT

RATED FOR 12 AMPERES CONTINUOUS DUTY SOLDER TYPE

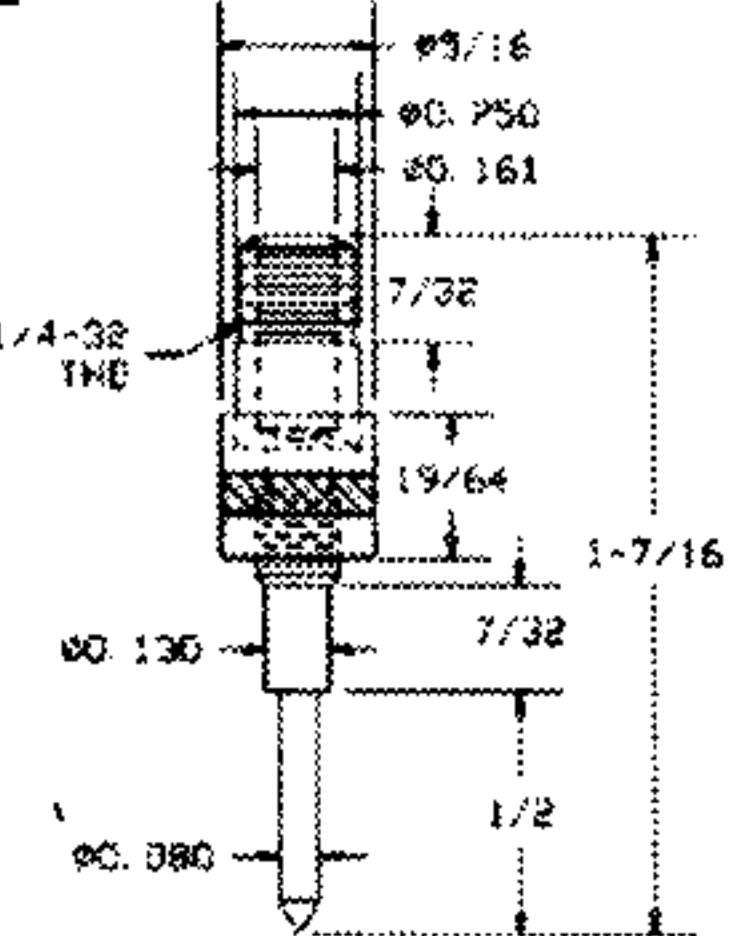
For standard phone tip jacks. Rear hole can be used as a banana jack or a solder well. Nickel plated brass



01-4104-1-02 PHONE TIP PLUG FINISH THREAD MOUNT

RATED FOR 12 AMPERES CONTINUOUS DUTY SOLDERLESS TYPE

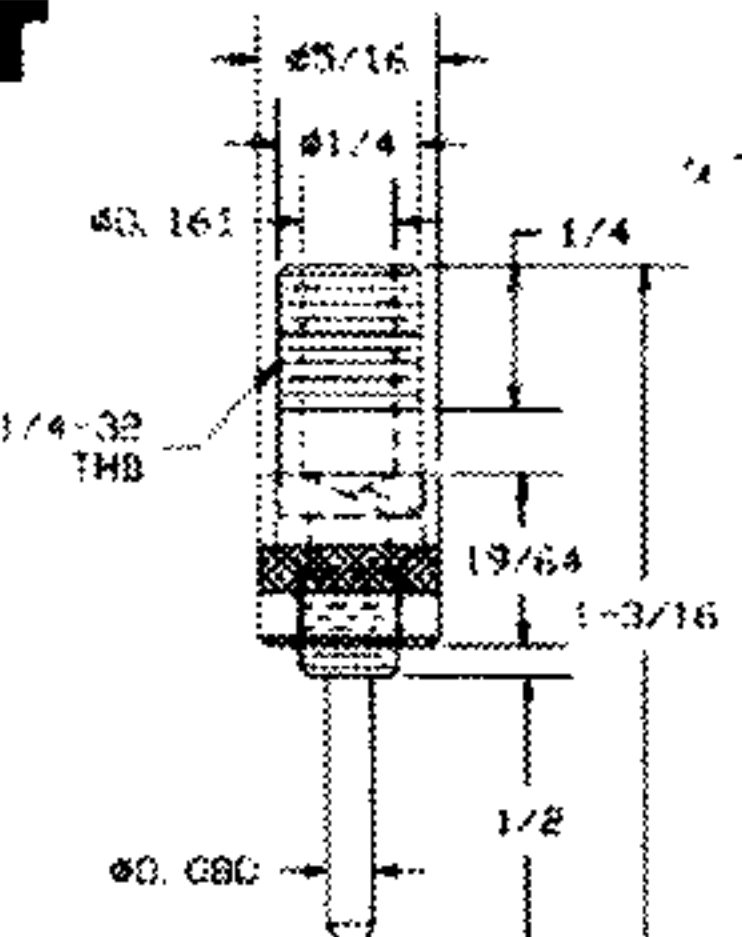
For standard phone tip jacks. Wire is inserted thru rear and cross holes and then wrapped around plug body. Threaded collar tightens down wire. All parts are nickel plated brass.



01-4105-1-02 PHONE TIP PLUG FINISH THREAD MOUNT

RATED FOR 12 AMPERES CONTINUOUS DUTY SOLDERLESS TYPE

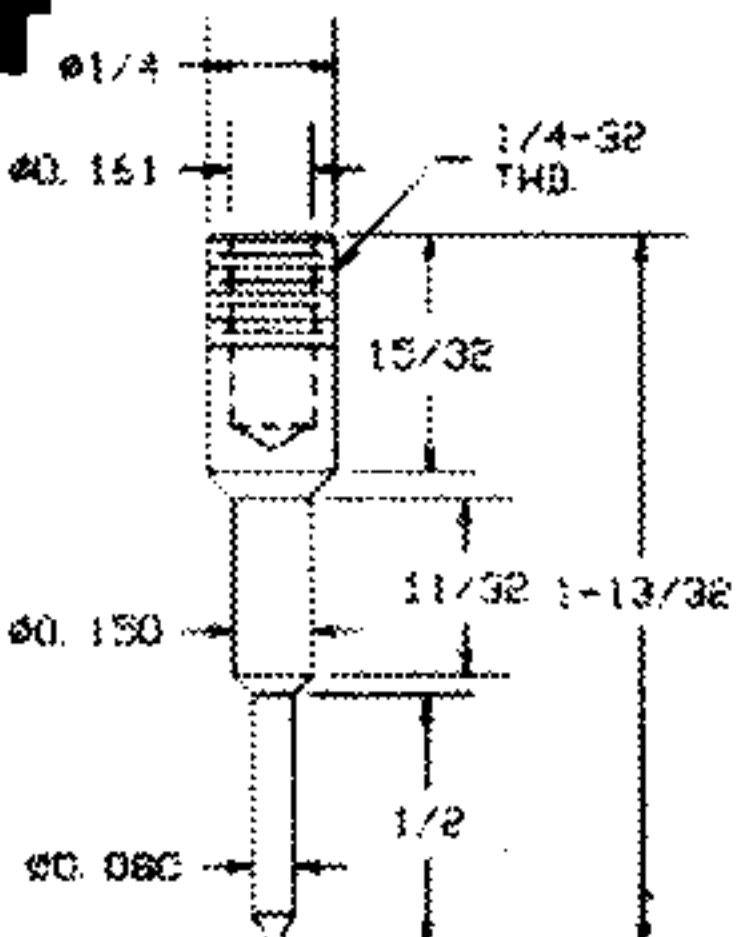
For standard phone tip jacks. Wire is inserted thru rear and cross holes and then wrapped around plug body. Threaded collar tightens down wire. All parts are nickel plated brass.



01-4106-1-02 PHONE TIP PLUG FINISH THREAD MOUNT

RATED FOR 12 AMPERES CONTINUOUS DUTY SOLDER TYPE

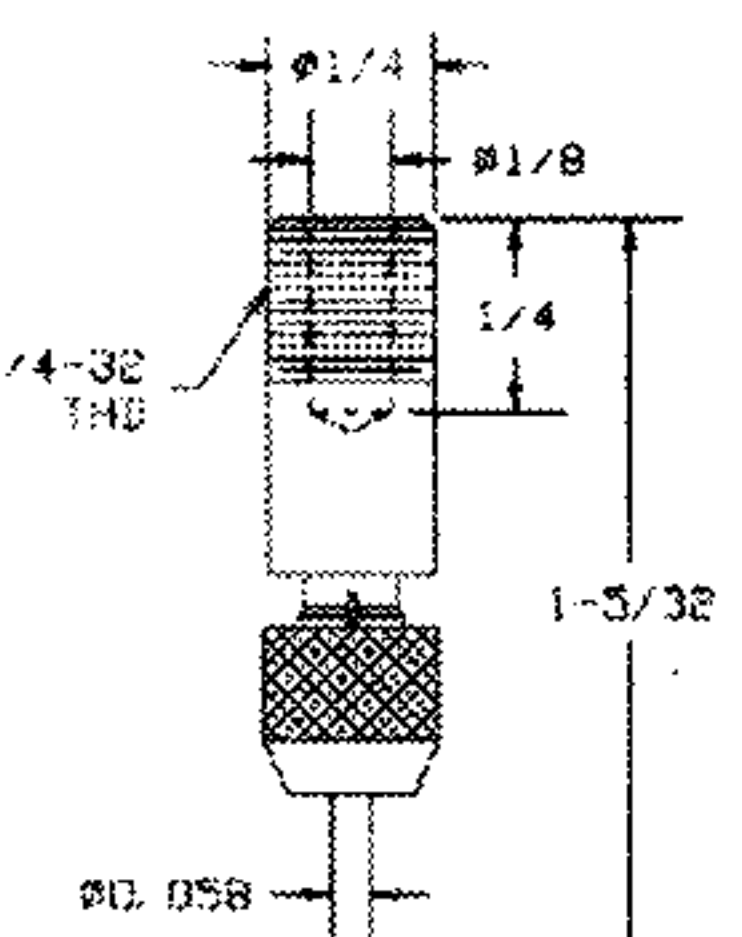
For standard phone tip jacks. Rear hole can be used as a banana jack or a solder well. Nickel plated brass



01-4107-1-02 PHONE NEEDLE FINISH THREAD MOUNT

RATED FOR 12 AMPERES CONTINUOUS DUTY SOLDER TYPE

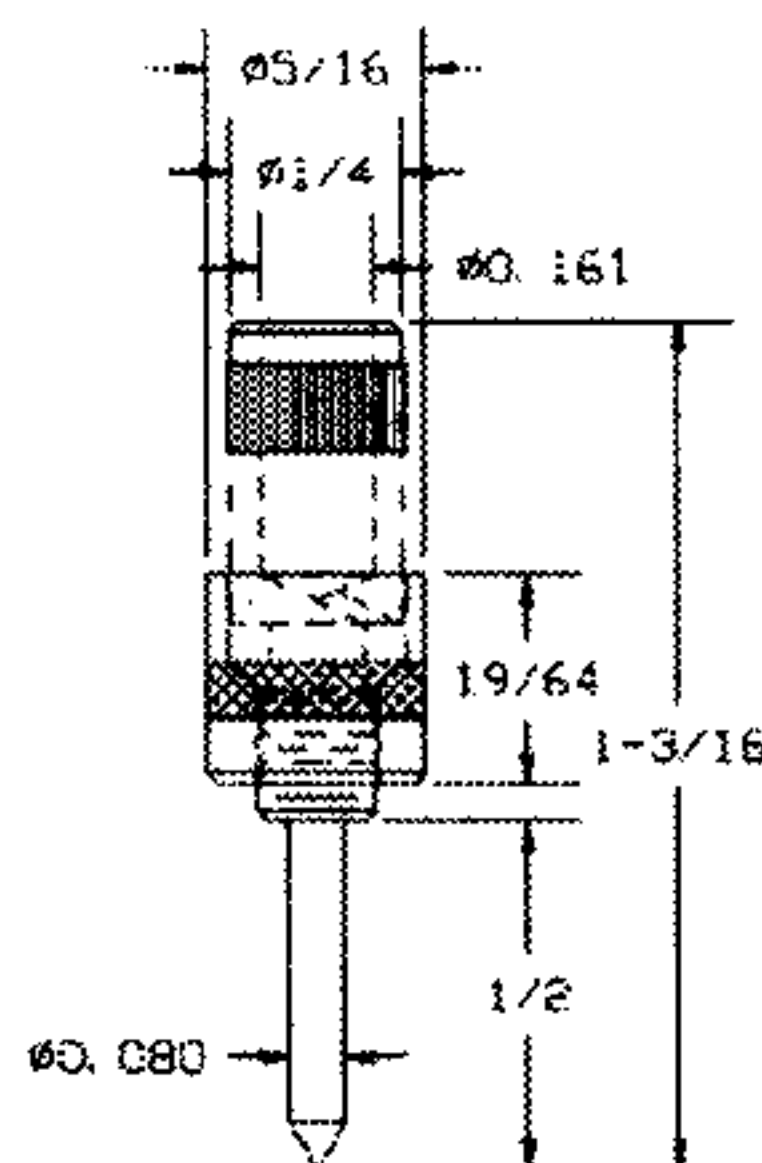
Pin vise design for easy removal and replacement of needle. Plug body and collar are nickel plated brass. Needle is made of steel.



01-4102-1-02 PHONE TIP PLUG FINISH PRESS MOUNT

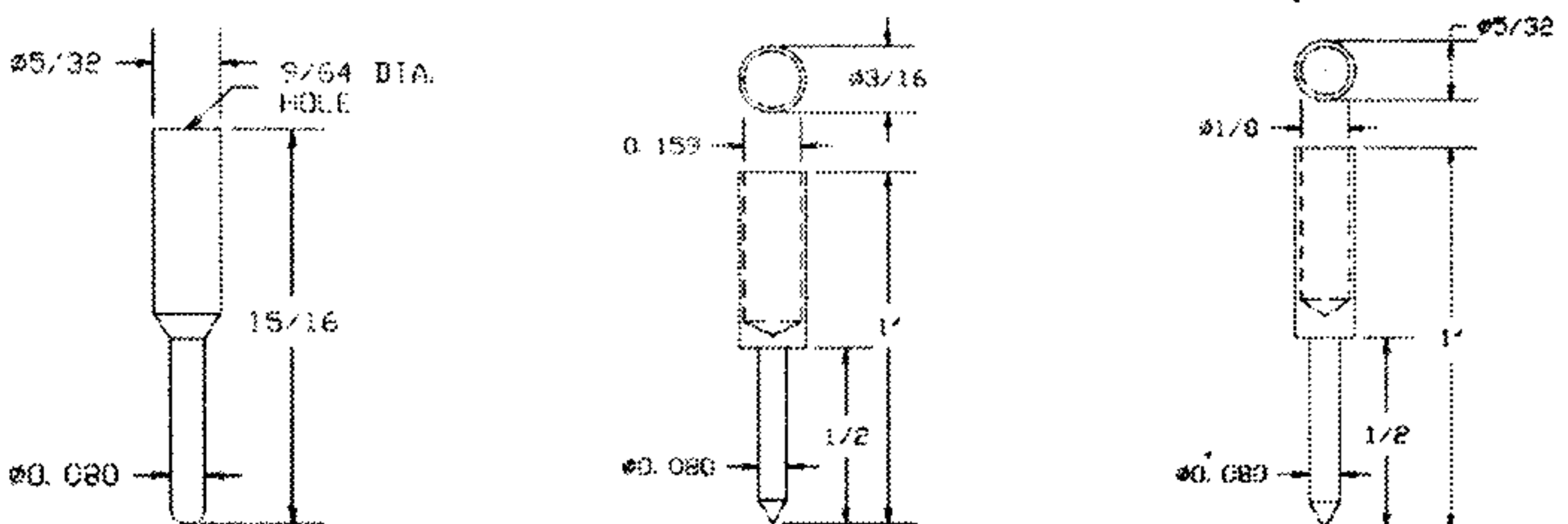
RATED FOR 12 AMPERES CONTINUOUS DUTY SOLDERLESS TYPE

For standard phone tip jacks. Wire is inserted thru rear and cross holes in plug body and then wrapped around threaded portion. Threaded collar tightens down wire. All parts are nickel plated brass.



PHONE TIP SOLDER STYLE 01-4001-1-02 01-4002-1-02 01-4003-1-02 FINISH FINISH FINISH

RATED FOR 12 AMPERES CONTINUOUS DUTY. Nickel plated brass



FOR ADDITIONAL SIZES AND MATERIALS, CONTACT FACTORY

