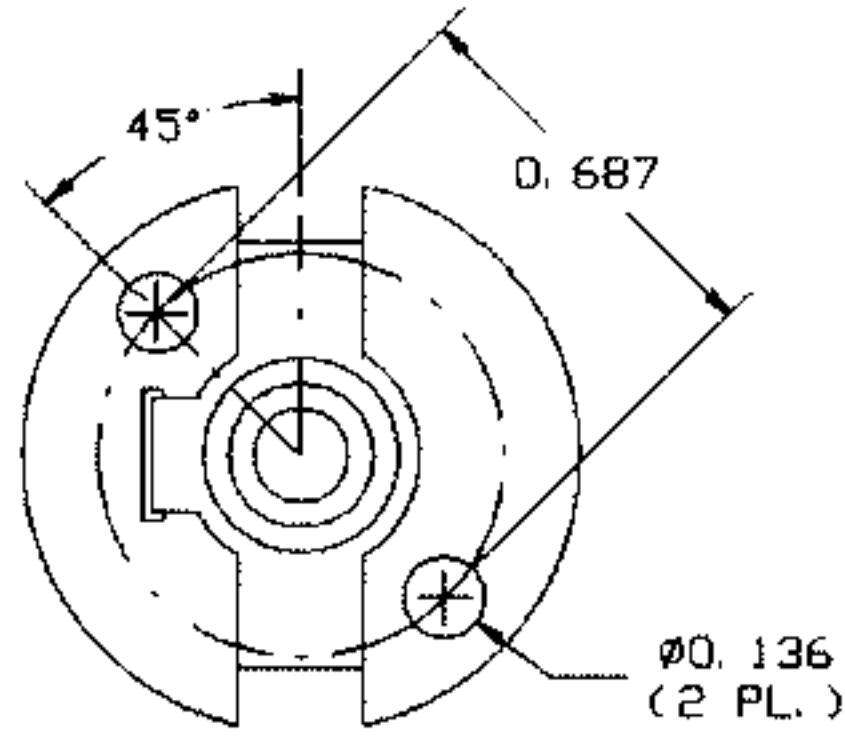
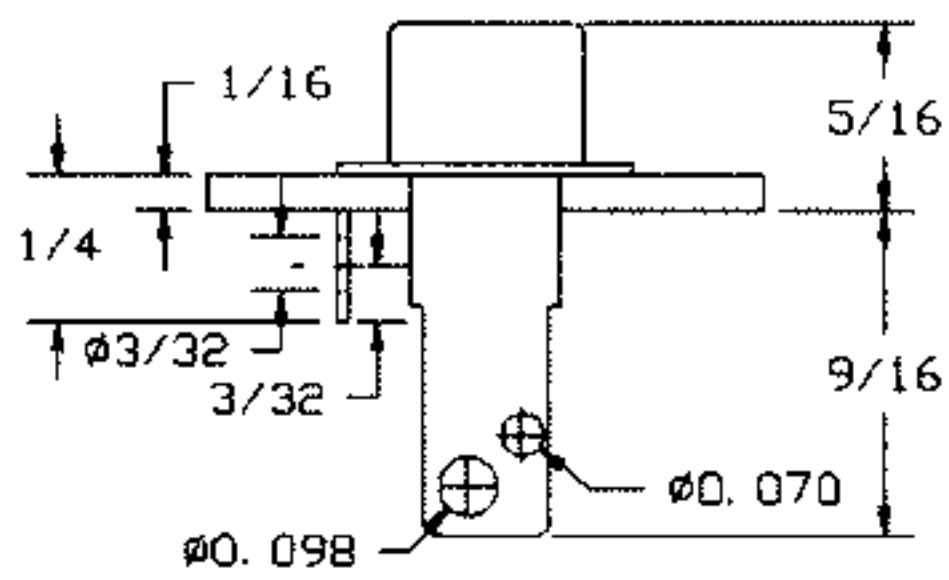


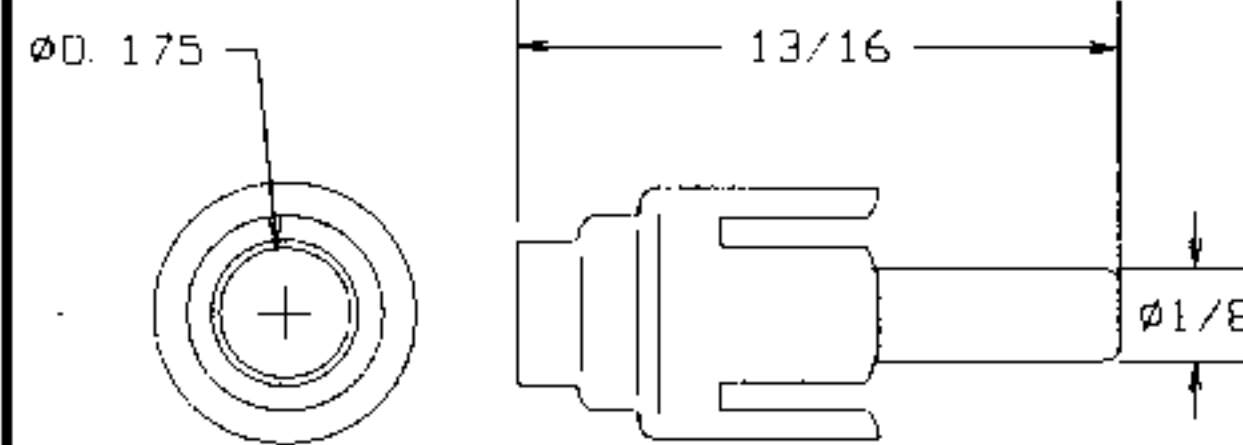
HARDWARE

790-5015 PHONO JACKS



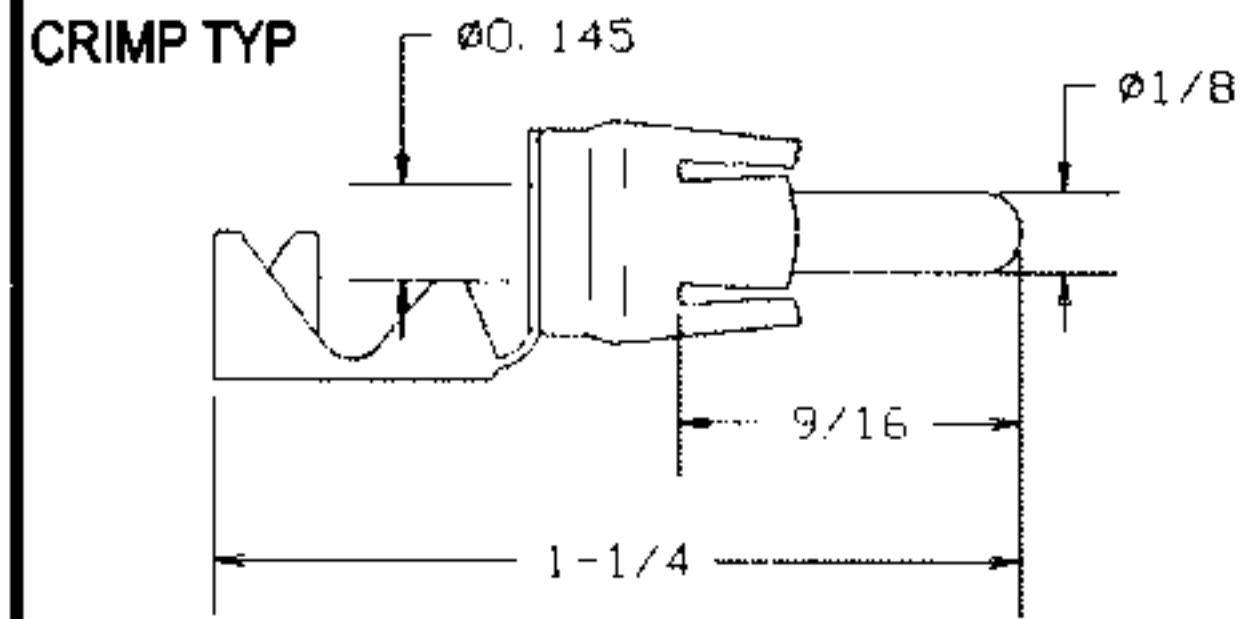
FEMALE FOR NO. 790-5005
SINGLE PRONG MOUNTED ON 1/16" BAKELITE WITH 11/16" MOUNTING CENTER

790-5006 PHONO PLUGS

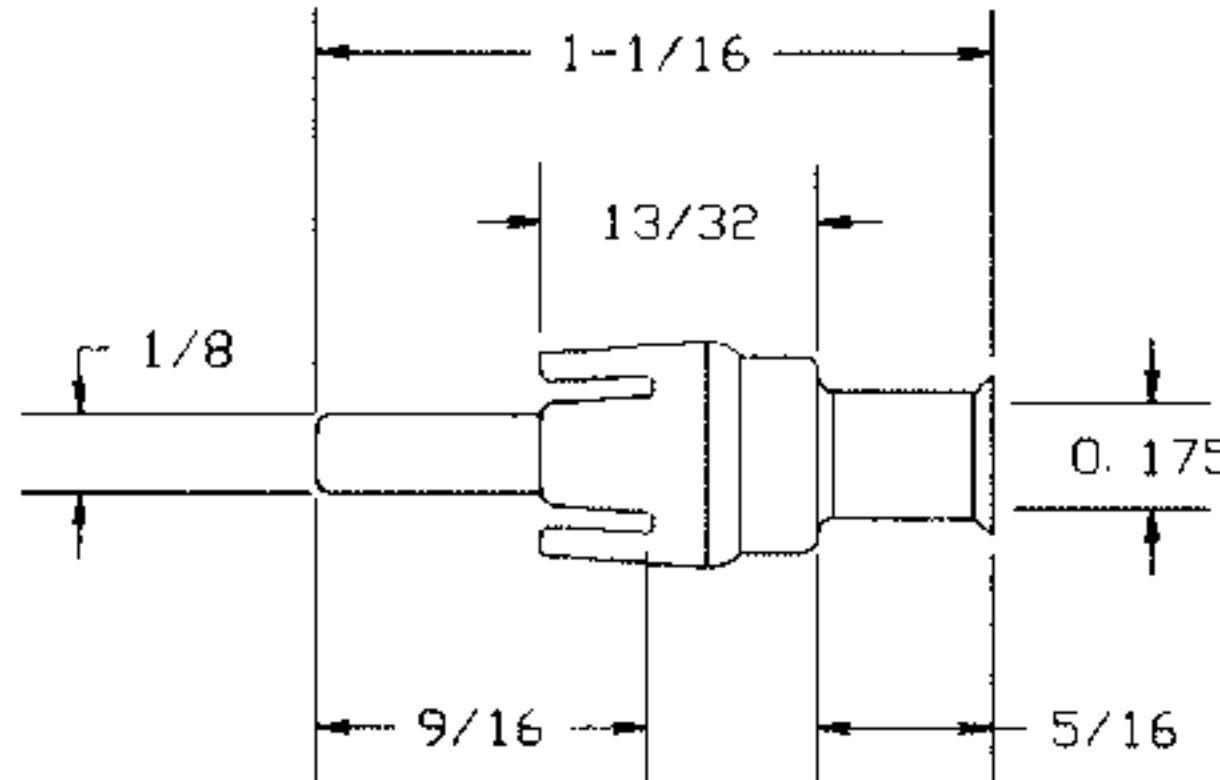


RCA TYPE .175" CAP HOLE FOR CO-AXIAL CABLE

790-5040 PHONO PLUGS

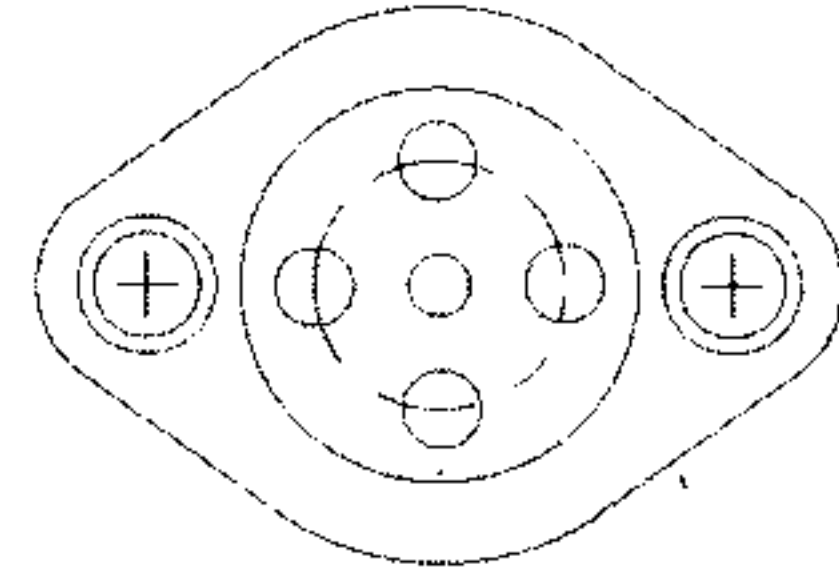


790-5038 PHONO PLUGS



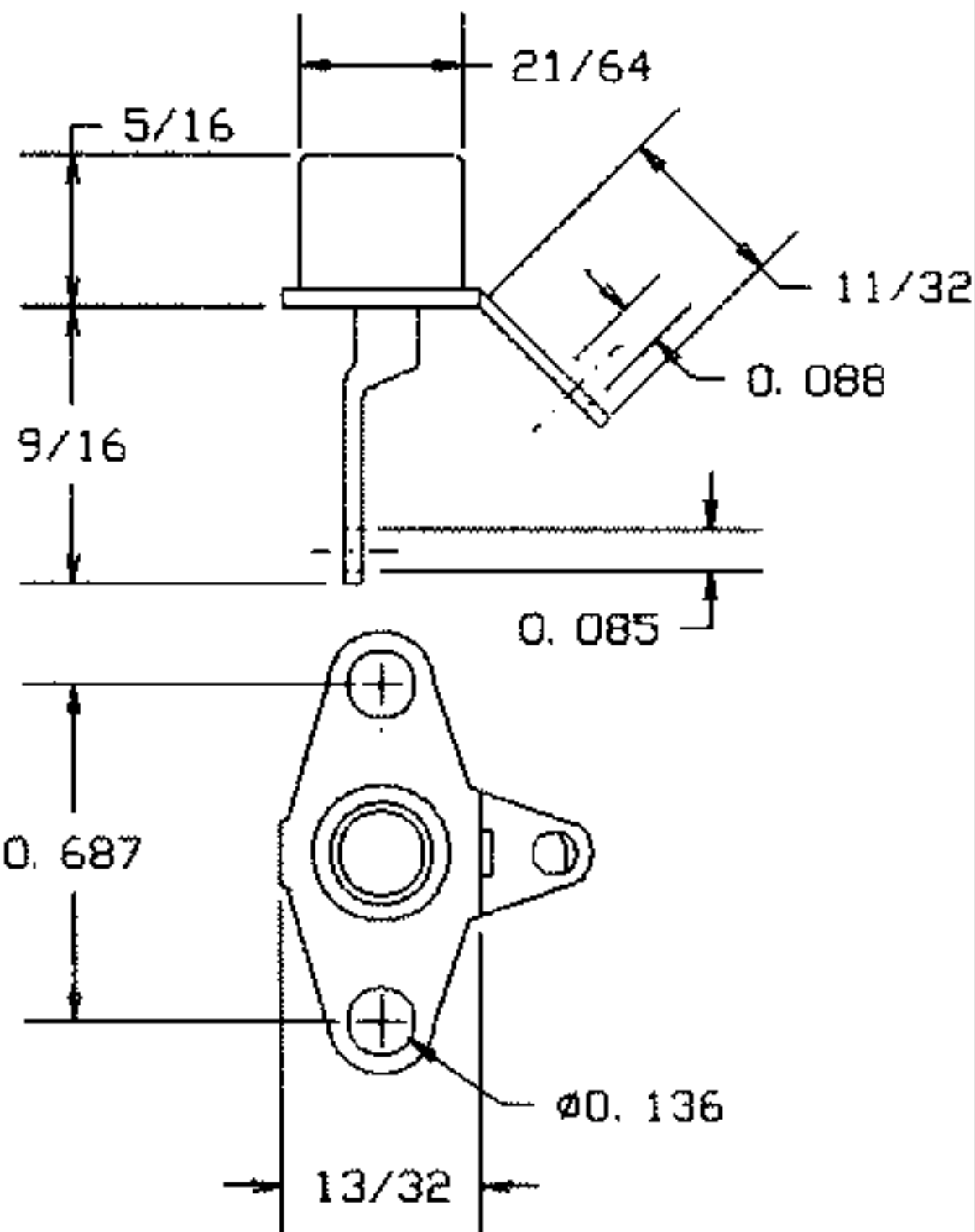
CRIMP OR SOLDER TYPE

NYLON PROTECTED COVER SE-0 MATERIAL



PART NUMBER FOR CASE STYLE
770-1810 TO-3
770-1811 TO-66

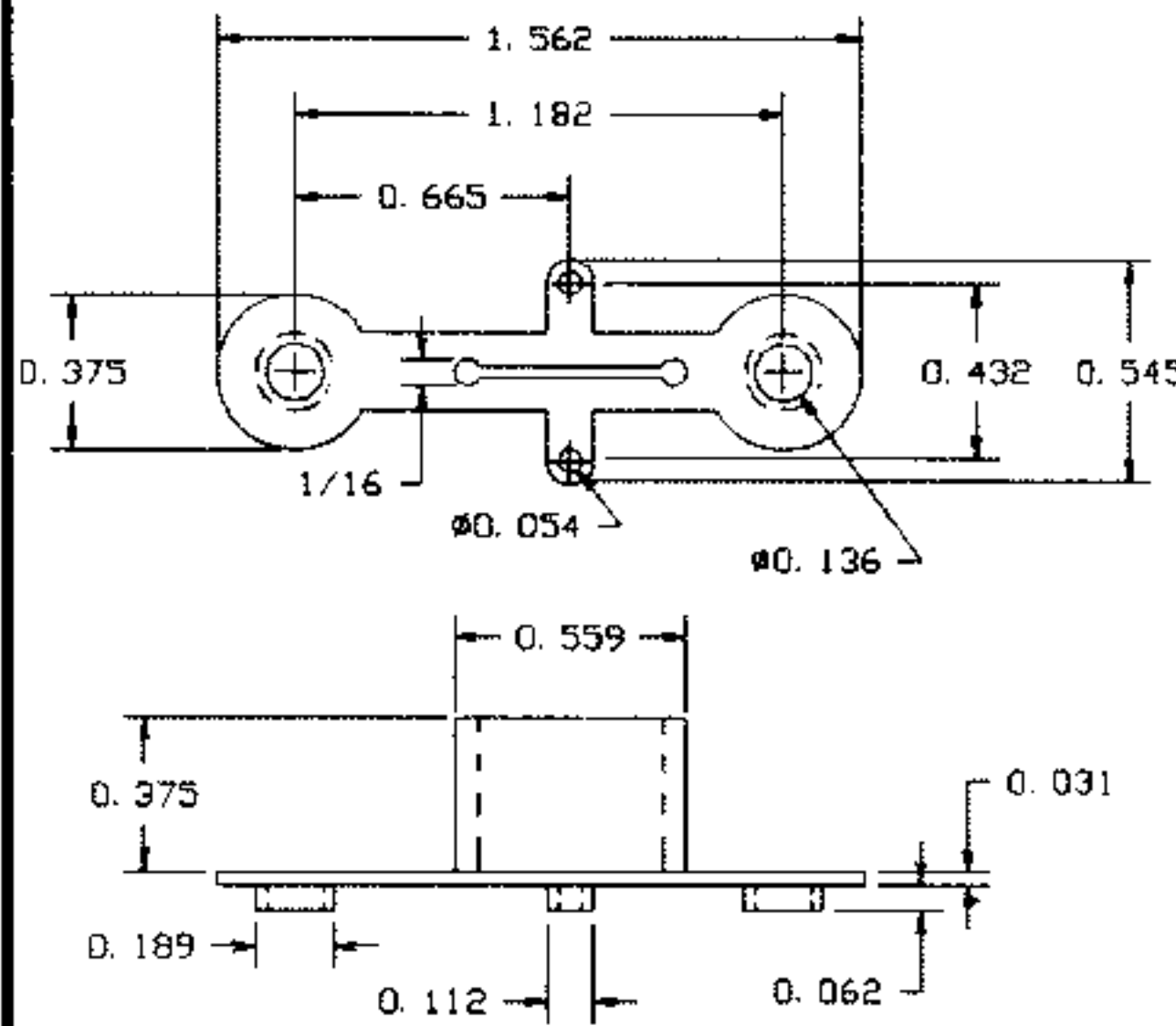
790-5035 PHONO JACK



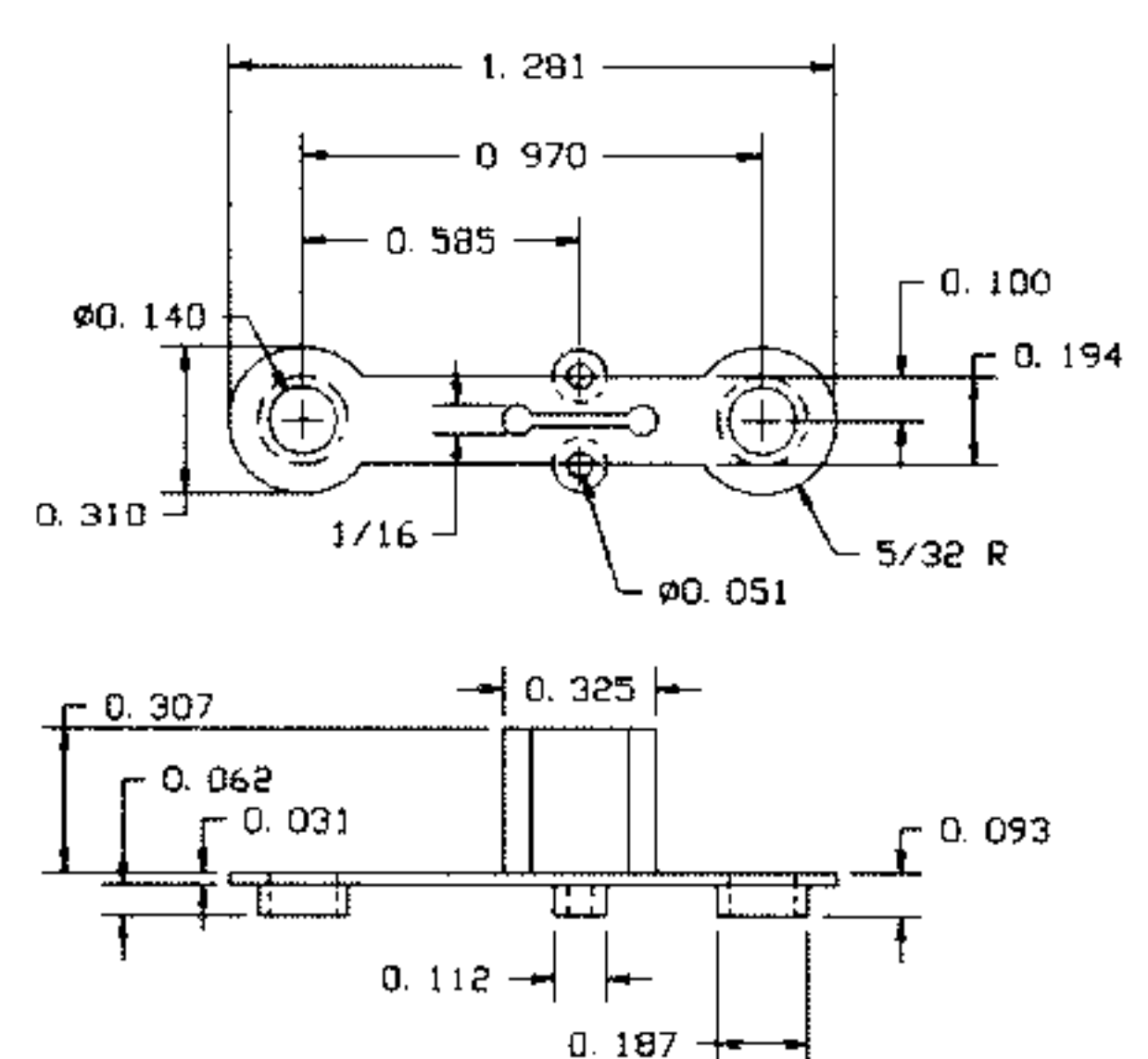
TRANSISTOR MOUNTS, WAFERS & COVERS

NYLON POWER TRANSISTOR MOUNTS

770-1821 TRANSISTOR TYPE TO-3

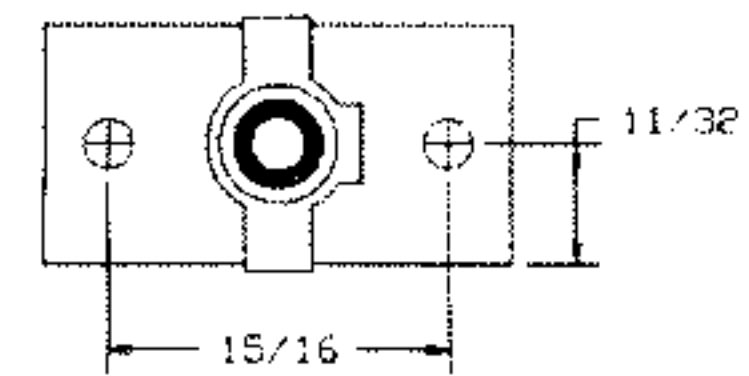


770-1822 TRANSISTOR TYPE TO-66

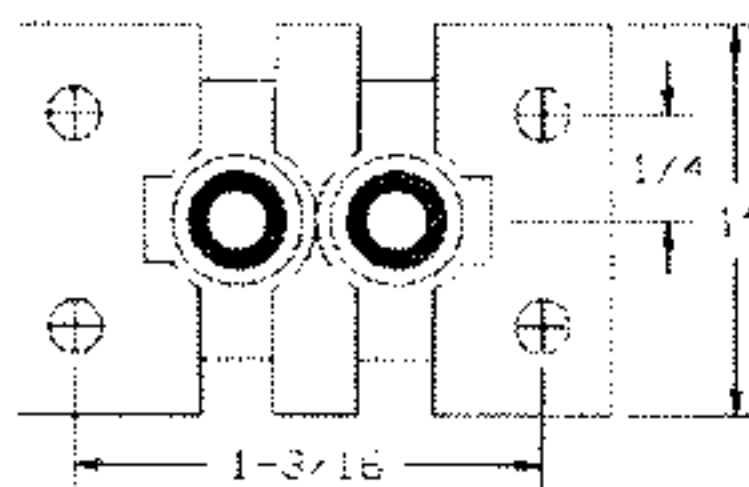


REPLACES SIX PIECES OF CONVENTIONAL INSULATION. BUILT-IN BARRIER SEPARATES AND INSULATES BASE AND EMITTER PINS FROM EACH OTHER. SCREW INSULATORS REQUIRE 3/16" CLEARANCE HOLES, PIN INSULATORS. 113 DIA. CLEARANCE. MOUNTING CENTERS FOR TYPES TO-3 AND TO-66 POWER TRANSISTORS

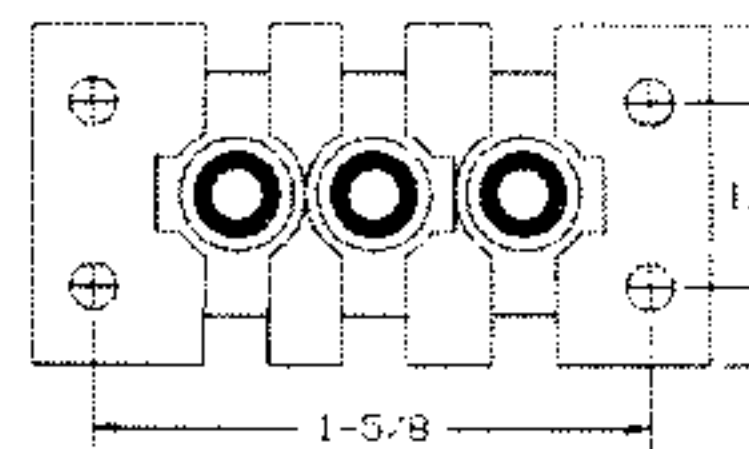
USED ON RECORDING UNITS, PHONO PLAYERS, ETC



790-5020 SINGLE JACK



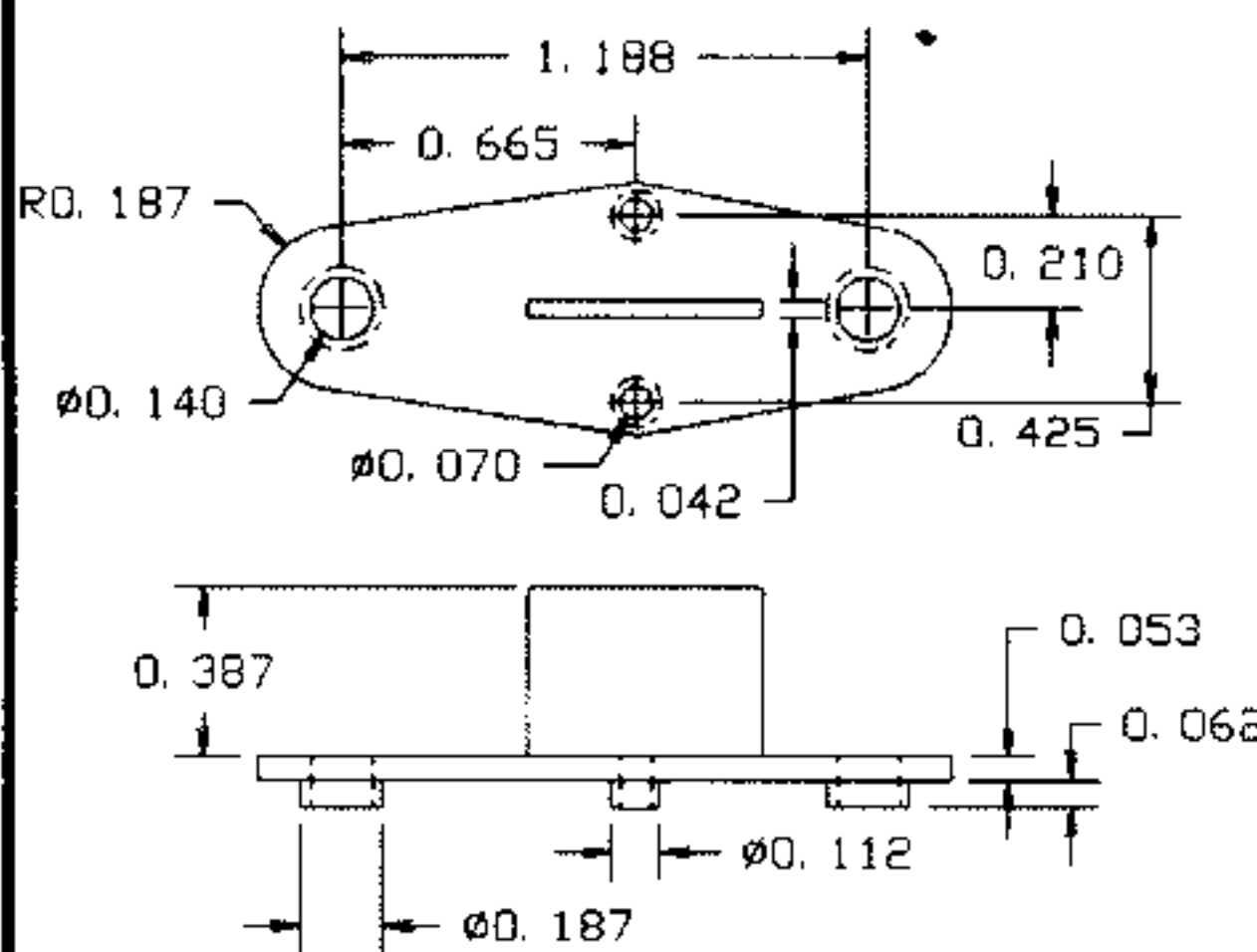
790-5025 DOUBLE JACK



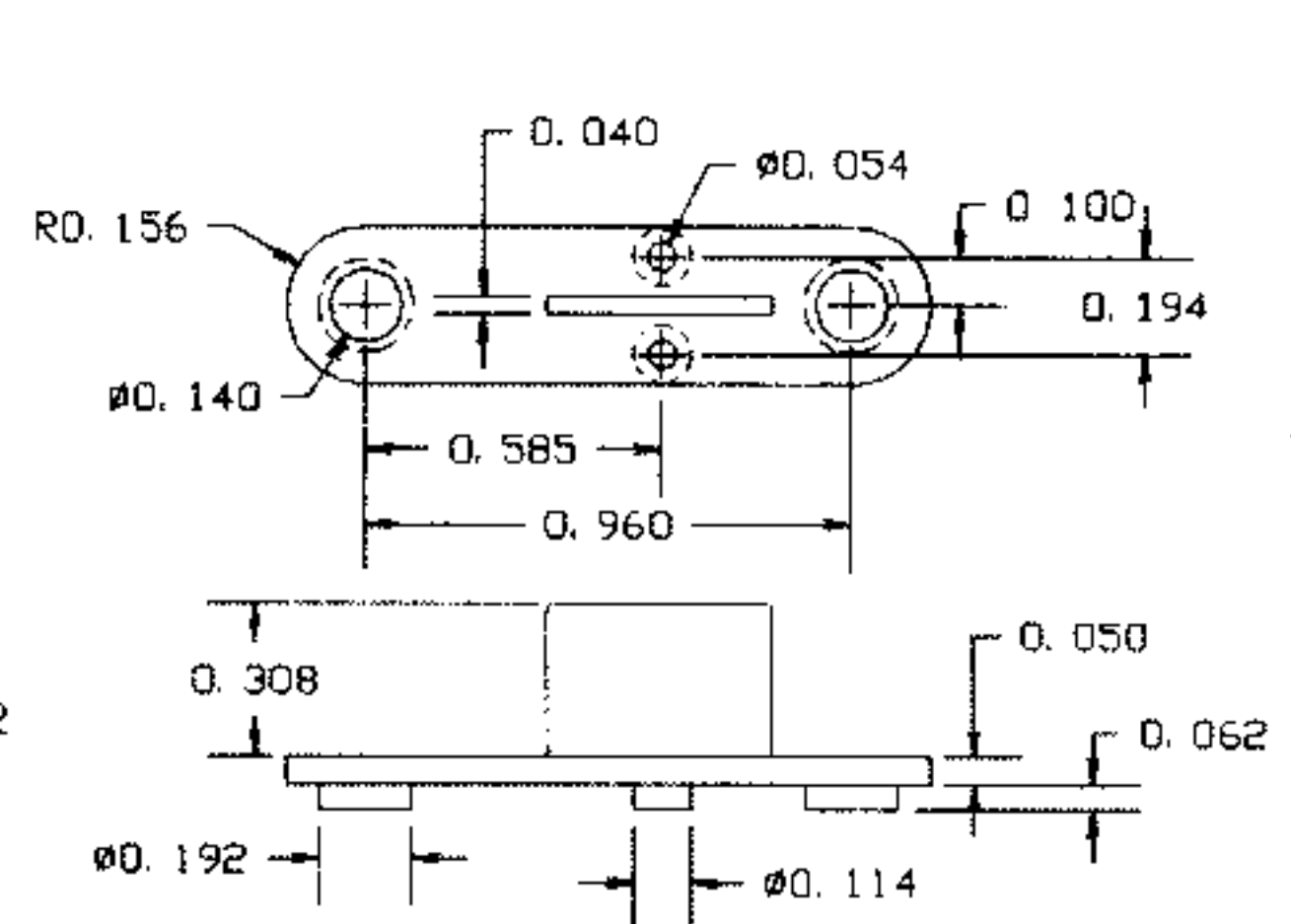
790-5030 TRIPLE JACK

HIGH TEMPERATURE TRANSISTOR MOUNTS

770-1830 TO-3



770-1831 TO-66



HEAVY DUTY, MADE OF POLYESTER. FOR EXCESSIVE TEMPERATURE AND ELECTRICAL REQUIREMENTS. RATED FOR SE-0 UL, 400°F CONT.

CONCORD