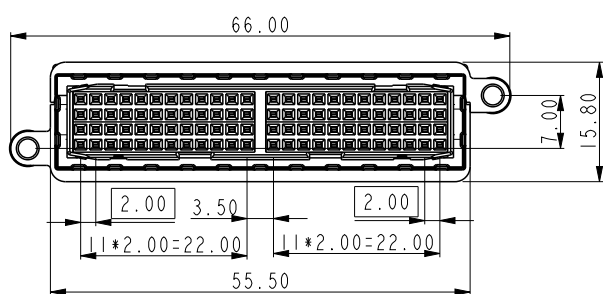
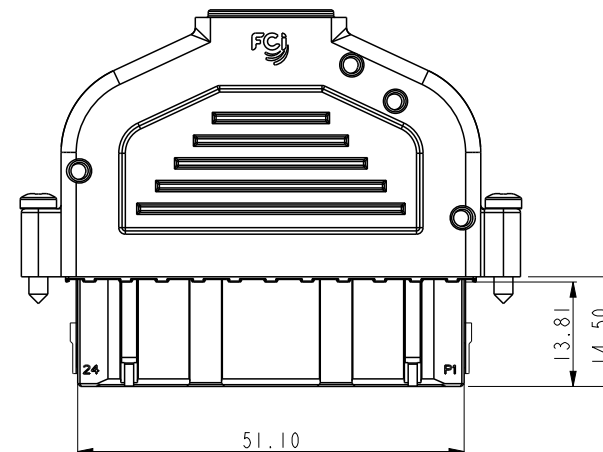
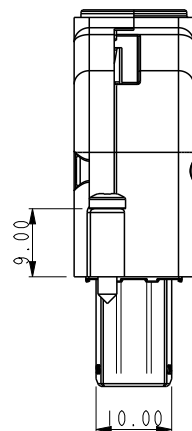
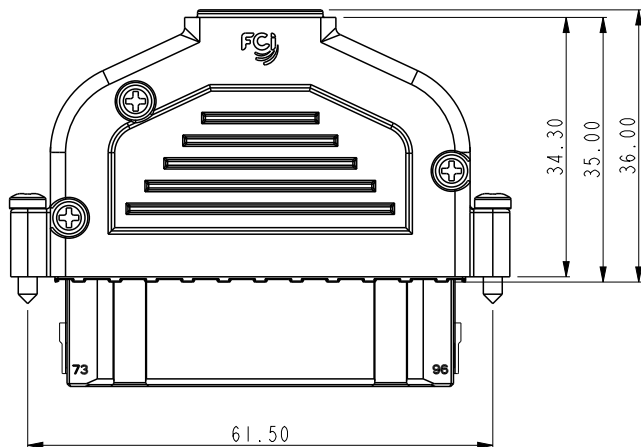
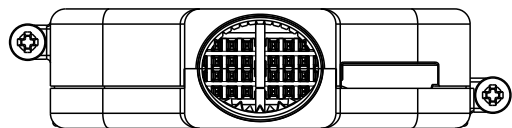


Cable KITS P/N	10113575-101LF	10113575-102LF
AWG Size	26	28 & 30

Notes:

1. This product meets europe unione directives and other country regulations as described in GS-22-008.
2. The product is not intended to be exposed to a manufacturing solder process.
3. Material:
Die casting cover: Zn alloy with Cu; Nickel & pure tin plating
Shroud housing: Black PBT 30% GF.
Terminal block housing: Black PBT 30% GF.
Terminal: Copper alloy and performance according to Telcordia CO.
ESD spring: Steel stainless.
Screw: Steel stainless
4. The cable must be flexible to be bent under the line as below draft shown after cable assembled.
5. Product specification GS-12-562
Application specification: GS-20-114
Packaging specification: GS-14-1292



spec ref	*	dr	Junon Huang	2010/03/05	projection	MM	size	A4	scale	1.000
tolerance std	TOLERANCES UNLESS OTHERWISE SPECIFIED	eng	Terran Huang	2011/07/27			ecn no		ELX-DG-004524-1	
		chr	-	-			rel level		Released	
surface	✓	appr	Pei-Ming Zheng	2011/07/29	product family		-		rev	
	linear				title		96pos cable connector		dwg no	
					vertical type		10113575		B	
	angular				cat. no.		-		Product - Customer Drw	
									sheet 1 of 2	

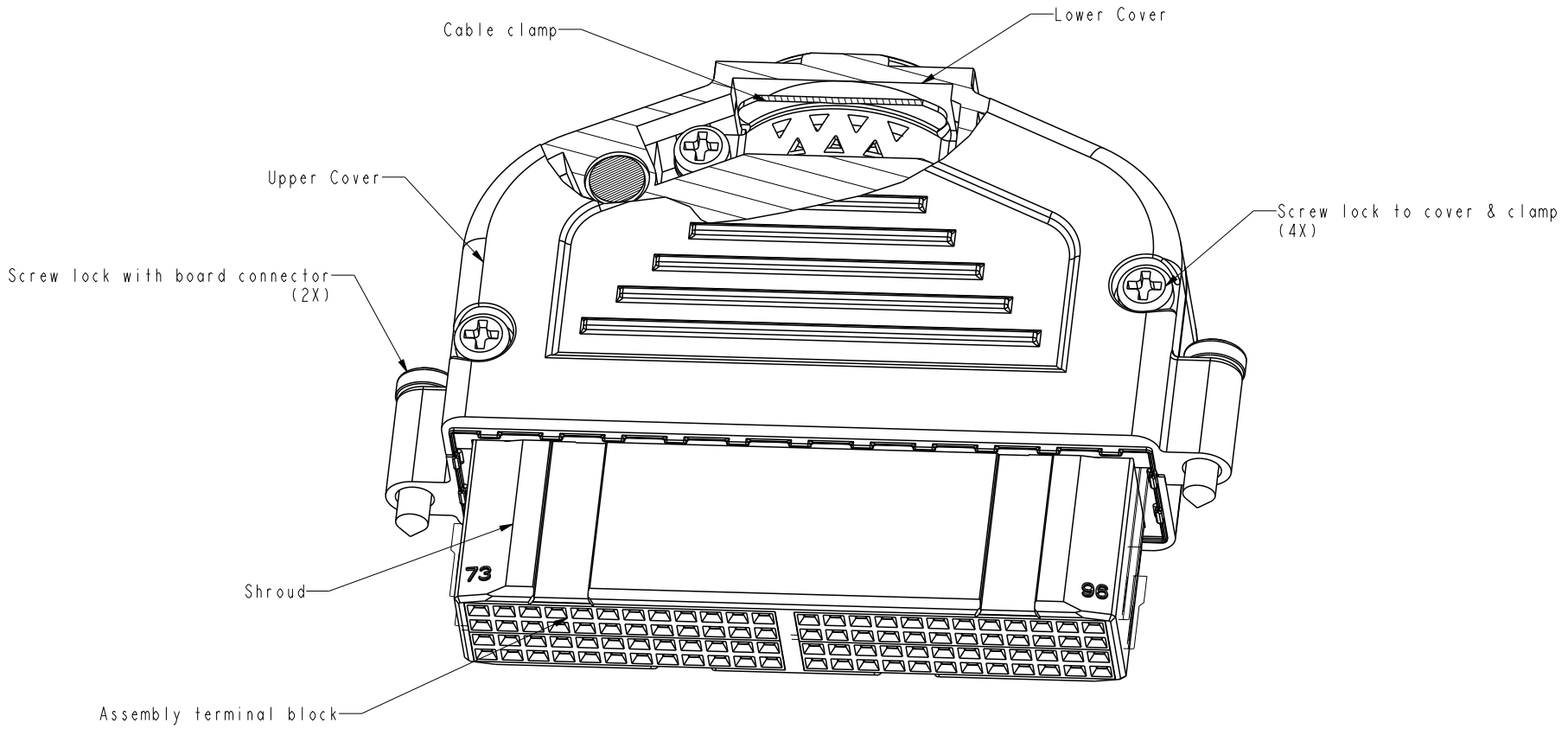
ProjE File - REV C - 2009-06-09



Copyright FCI.

BOM of cable kits

Components Name	Upper Cover	Lower cover	Shroud housing with ESD spring	Terminal Block Assembly	Cable Clamp	Screw lock with Board connector	Screw lock to cover & clamp
Q'TY/ Kits	1	1	1	4	1	2	4



Copyright FCI.

spec ref	*	dr	Junon Huang	2010/03/05	projection	MM	size	A4	scale	1.000		
tolerance std	TOLERANCES UNLESS OTHERWISE SPECIFIED	eng	Terran Huang	2011/07/27			ecn no		ELX-DG-004524-1			
		chr	-	-			rel level		Released			
surface	<input checked="" type="checkbox"/>	linear	0.X	± 0.30		title 96pos cable connector vertical type	dwg no 10113575	rev B	www.fci.com			
			0.XX	± 0.15					cat. no.	-	Product - Customer Drw	sheet 2 of 2
			0.XXX	± 0.05								
angular	0°	± 2°										

ProjE File - REV C - 2009-06-09