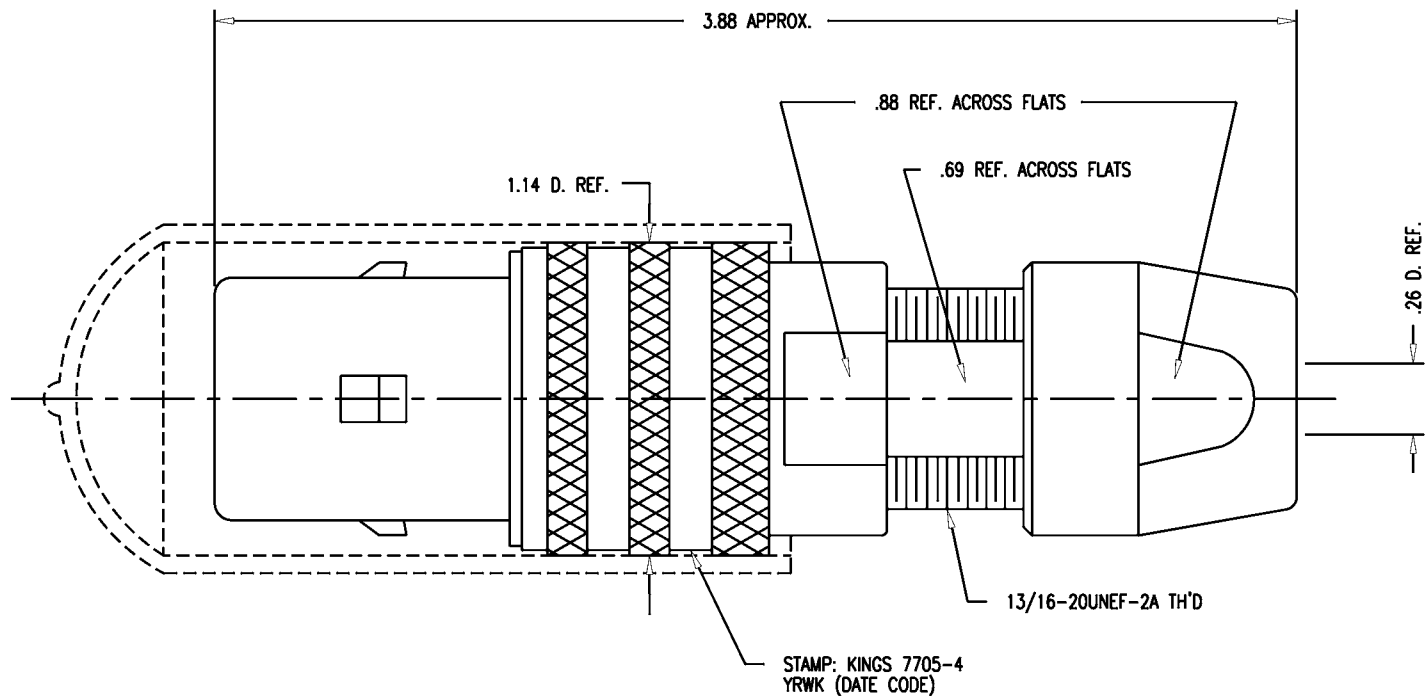


# GSD

7705-4

### REVISIONS

ISSUE	CHANGES
0	ER 37088 KH 08/07/96
1	CN 38024 E HVN 07/06/00
2	CN 38122 C BDH 11/08/00



#### NOTES:

- FOR USE WITH BELDEN 88232 & COMM SCOPE 8000257 (780 CABLE GROUP).
- FOR CABLING INSTRUCTIONS SEE KAI-8010.
- FOR CRIMPING USE DIE KTH-2002.
- MATERIALS:
  - INSULATORS: TEFLON, ASTM-D-4894
  - CONDUCTIVE GASKET: CONSIL C 87-10004
  - GASKETS: SILICONE RUBBER, ZZ-R-765
  - K-GRIP SLEEVE: COM. BRONZE TUBE, ASTM-B-135
  - OUTER CONTACT: PHOSPHOR BRONZE, ASTM-B-103
  - FINGER BODY: BER. COPPER, ASTM-B-196
  - CENTER CONTACT TIP: DELRIN
  - CAP: VINYL
  - ALL OTHER METAL PARTS: BRASS, ASTM-B16

- FINISHES:
  - CENTER CONTACT: HARD GOLD PLATE, PER MIL-G-45204
  - NUT
  - COLLET
  - OUTER BODIES
  - ALL OTHER METAL PARTS: SILVER PLATE, PER QQ-S-365
 } KINGS TARNISH RESISTANT NICKEL FINISH (TR-5)
- ELECTRICAL CHARACTERISTICS:
  - NOMINAL IMPEDANCE: 75 OHMS
  - FREQUENCY RANGE: DC-500 MHZ
  - VOLTAGE BREAKDOWN: CENTER CONDUCTOR/INNER GROUND: 1500 VRMS
  - INNER GROUND/OUTER GROUND: 500 VRMS

KAM6260

SCALE 2:1

APPROX SURFACE AREA

WAS: E-19091

USED ON

REF:

PLUG, TRI-LOC  
(SERIAL DIGITAL)

DRAWN	KH	DATE	12/01/95
-------	----	------	----------

DESIGN	FD	DATE	12/02/95
--------	----	------	----------

APPR.	FD	DATE	12/11/95
-------	----	------	----------

**KINGS**  
ELECTRONICS CO., INC.  
ROCK HILL, SOUTH CAROLINA 29730

# GSD

7705-4