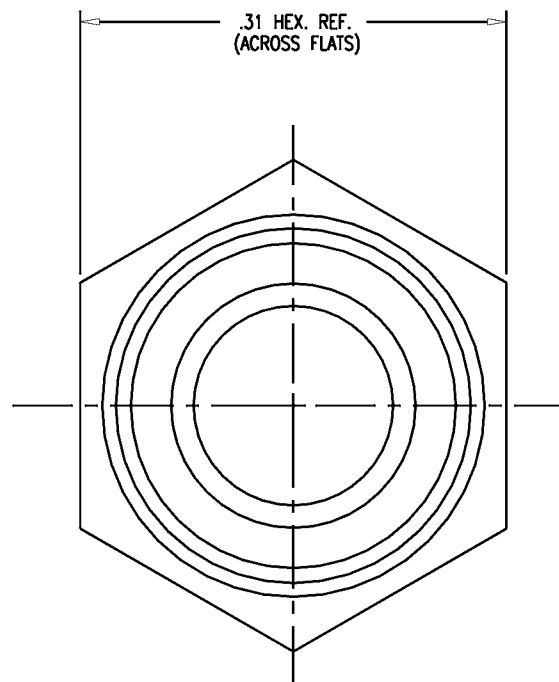
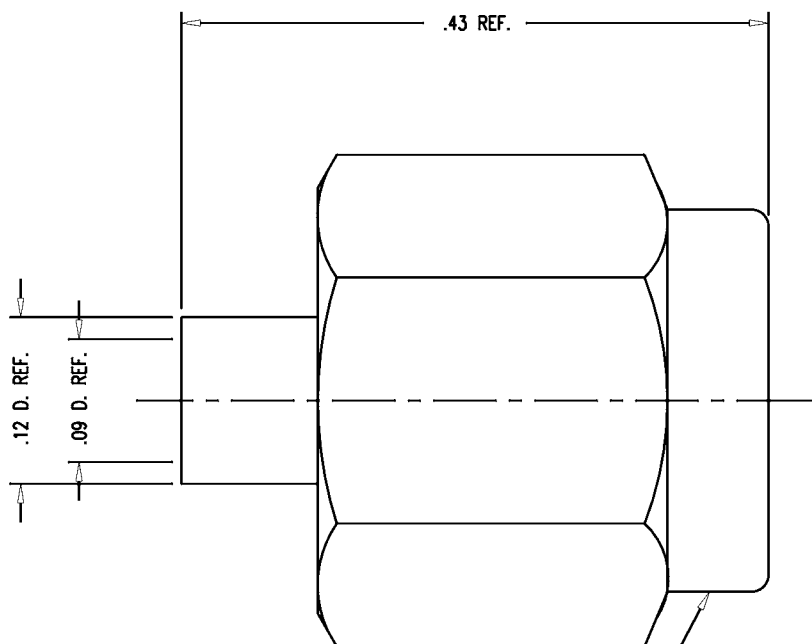


DASH NO.	M CODE	MADE FROM
----------	--------	-----------

GSD



STAMP: 91836 M39012/79-3107
YRWK (DATE CODE)

NOTES:

- FOR USE WITH RG-405/U (.085 S.R.) CABLE.
- FOR CABLING INSTRUCTIONS SEE 3-481.
- FOR CABLE TRIMMING USE KTO-3.
- INTERFACE PER MIL-STD-348, FIG. 310-1.
- MATERIALS:
INSULATOR: TEFLON, ASTM-D-1457
GASKET: SILICONE RUBBER, ZZ-R-765
C-RING & CONTACT: BERYLLIUM COPPER, ASTM-B-196
ALL OTHER METAL PARTS: STAINLESS STEEL, 303
- FINISHES:
BODY & CONTACT: GOLD PLATE PER MIL-G-45204
COUPLING NUT: PASSIVATE PER QQ-P-35
- ELECTRICAL CHARACTERISTICS:
NOMINAL IMPEDANCE: 50 OHMS
FREQUENCY RANGE: DC TO 18GHz.
WORKING VOLTAGE: 500 VRMS
- MARK PACKAGE 91836 M39012/79-3107
KINGS 875-69-3
YRWK (DATE CODE)

M39012/79-3107

REVISIONS	
ISSUE	CHANGES
5	CN 32679 E RESTRICTED USAGE REDRAWN JCA 11/08/90
6	CN 32741 C WJM 12/14/90
7	CN 32897 E RESTRICTION REMOVED JCA 02/21/91
8	CN 36721 C KH 12/13/95
9	CN 38527 E BDH 03/19/02

875-69-3 JCA1089

SCALE	10:1
APPROX SURFACE AREA	
USED ON	
REF:	
PLUG, SMA	
DRAWN	JCA
DATE	11/08/90
DESIGN	GA
DATE	11/08/90
APPR.	
DATE	

KINGS
ELECTRONICS CO., INC.
ROCK HILL, SOUTH CAROLINA 29730

M39012/79-3107

GSD