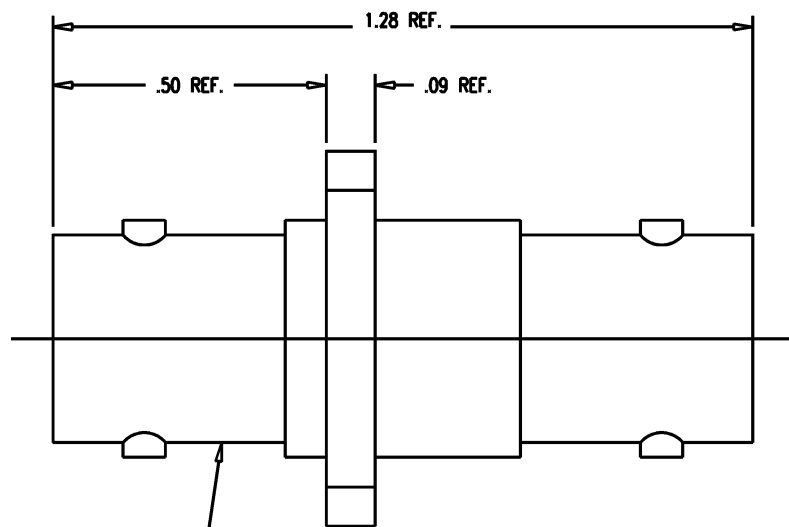


DASH NO.	M CODE	MADE FROM
----------	--------	-----------

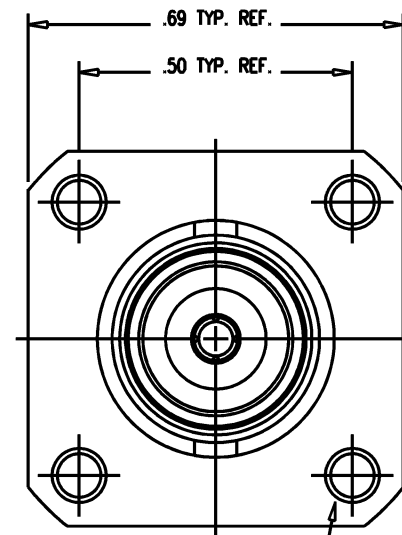
SD

KC-99-56

REVISIONS	
ISSUE	CHANGES
4	CN 37003 C REDRAWN KH 07/01/96
5	CN 37429 C MRM 08/18/97



STAMP: KINGS KC-99-56



3-56NF-2B THREAD (4 PLACES)

NOTES:

- INTERFACES PER MIL-STD-348, FIG. 301.2.
- MATERIAL:
 - INSULATORS: TEFLON, ASTM-D-4894
 - CENTER CONTACT: BER. COP., ASTM-B-196
 - ALL OTHER PARTS: BRASS, ASTM-B16
- FINISHES:
 - CENTER CONTACT: SILVER PLATE PER QQ-S-365
 - ALL OTHER METAL PARTS: KINGS TARNISH RESISTANT NICKEL FINISH (TR-5)
- ELECTRICAL CHARACTERISTICS:
 - NOMINAL IMPEDANCE: 50 OHMS
 - VOLTAGE RATING: 500 VRMS
 - FREQUENCY RANGE: DC TO 4 GHz

SD

SCALE 4:1	
APPROX SURFACE AREA	
USED ON	
REF:	
ADAPTER, F-F, PANEL, BNC	
DRAWN KH	DATE 07/01/96
DESIGN LJ	DATE 07/02/96
APPR.	DATE
KINGS ELECTRONICS CO., INC. TUCKAHOE, NEW YORK 10707	
KC-99-56	