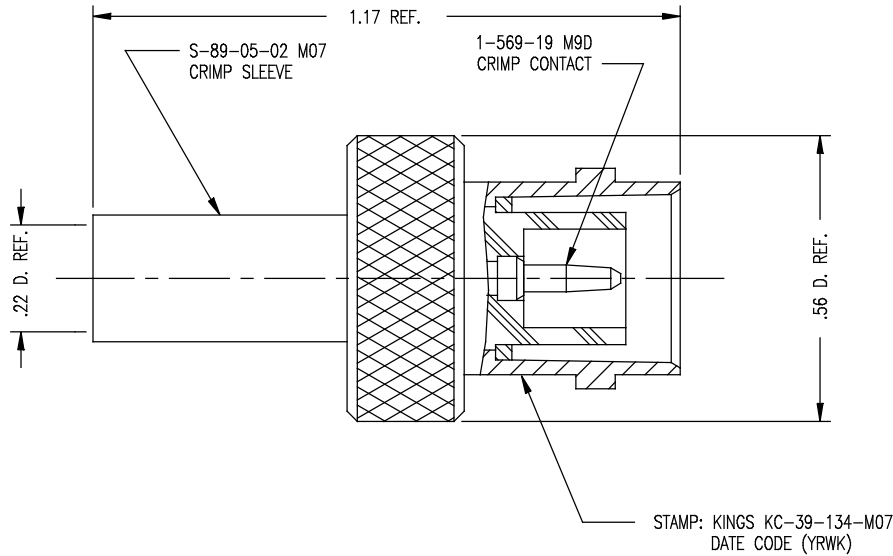


DASH NO.	M CODE	MADE FROM
----------	--------	-----------

GSD

KC-39-134-M07

REVISIONS	
ISSUE	CHANGES
2	CN 28345 C CHC 09/30/91
3	CN 39453 A REDRAWN DCT 5/8/6



NOTES:

- FOR USE WITH RG-142, 223 AND 400/U CABLE.
- FOR CABLING INSTRUCTIONS SEE CP-465.
- FOR CABLE TRIMMING USE KTJ-113 AND KTD-166.
- FOR CRIMPING USE DIE SIZE KTH-2001.
- MATERIALS:
INSULATOR-TEFLON, ASTM-D-1457
K-GRIP SLEEVE-COMMERCIAL BRONZE, ALLOY 220
ALL OTHER METAL PARTS-BRASS, ASTM-B16
- FINISHES:
CENTER CONTACT-GOLD PLATE PER MIL-G-45204
ALL OTHER METAL PARTS-SILVER PLATE PER QQ-S-365
- ELECTRIAL CHARACTERISTICS:
NOMINAL IMPEDANCE-50 OHMS
FREQUENCY RANGE-DC TO 4 GHZ
WORKING VOLTAGE-500 VRMS

SCALE 4:1	
APPROX SURFACE AREA	
USED ON	
REF:	
JACK, POLARIZED, BNC	
DRAWN KH	DATE 11/08/91
DESIGN MJB	DATE 11/08/91
APPR.	DATE
 ELECTRONICS CO., INC. ROCK HILL, SOUTH CAROLINA 29730	

GSD

KC-39-134-M07