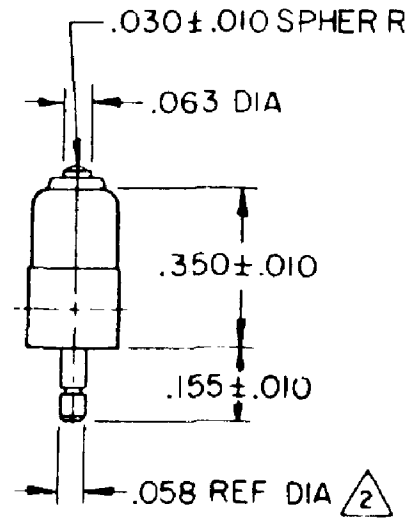
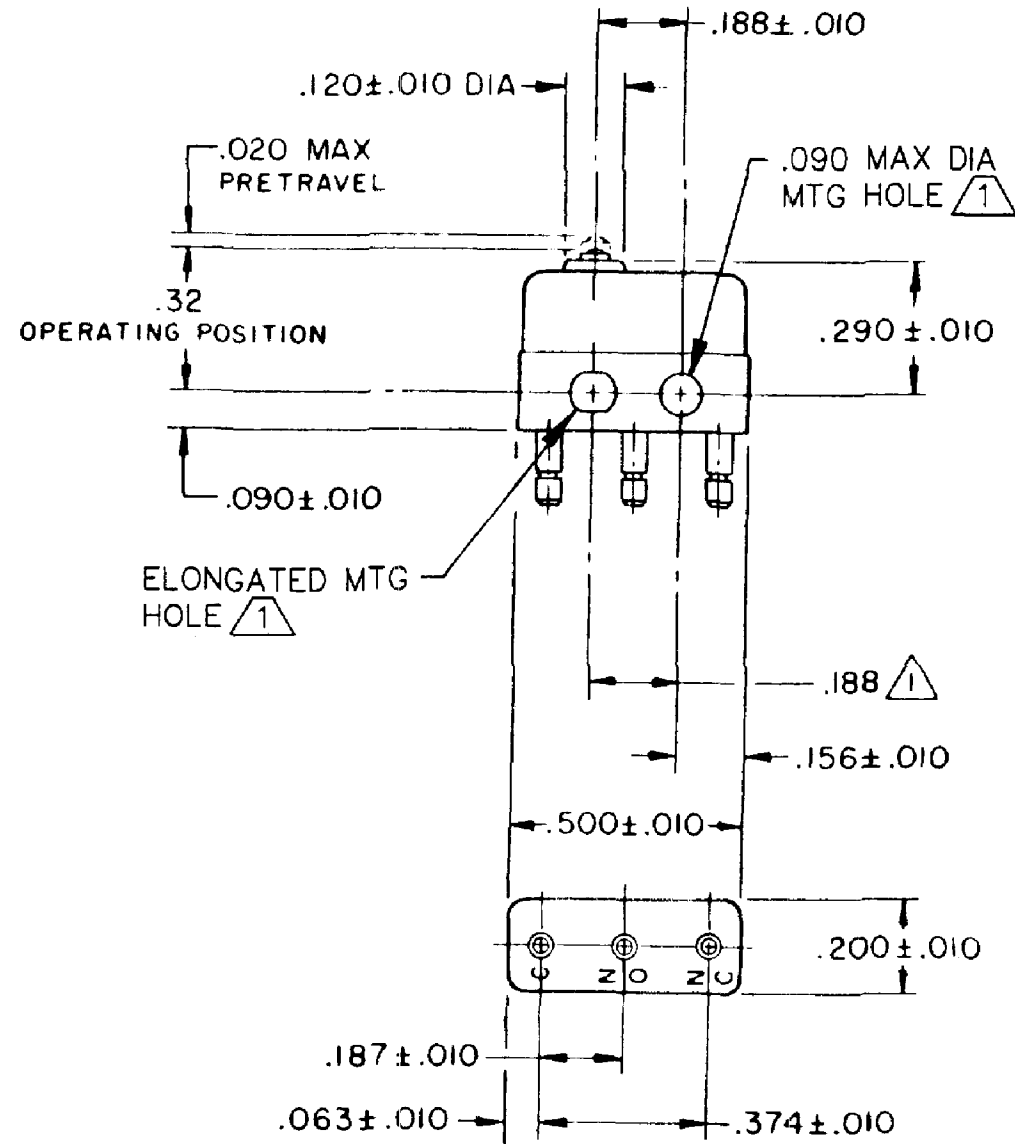
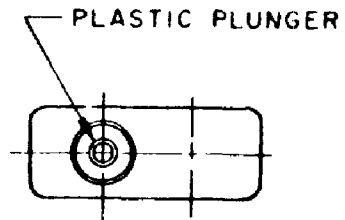


HONEYWELL PART NUMBER
11SX1-H58
PRODUCT CODE
VDJ0090

REV	DOCUMENT	CHANGED BY	CHECK
9	0038448	VS 28APR08	BLR



NOTES

- ① MOUNTING HOLES WILL ACCEPT PINS OR SCREWS OF .087 MAX DIA ON .188 ± .002 CENTERS
- ② PLATED TERMINALS WILL ACCEPT "AMP INC" .058 DIA PIN RECEPTACLES.
- 3 - SWITCH WILL WITHSTAND TEMPERATURE OF 250° F

RELEASE NO.	PR-1732
REPLACES	

CHARACTERISTICS	
OPERATING FORCE	- - - - 3.5 OZ MAX
RELEASE FORCE	- - - - .75 OZ MIN
DIFFERENTIAL TRAVEL	- - - .001 MAX
OVERTRAVEL	- - - - .004 MIN

ELECTRICAL DATA		
CONTACT ARRANGEMENT SPDT		
28 VOLTS DC RATING		
	SEA LEVEL	50,000 FT
INDUCTIVE	2 AMP	-
RESISTIVE	3 AMP	-
APPROVALS		
KEMA, CE	3A 250V~ T125 5E4	CE
UL, CSA	3A 250 VAC	UL BRAND L122A

DESIGN UNITS: INCH
TOLERANCES UNLESS NOTED:
NO PLACE X ±
ONE PLACE .X ±
TWO PLACE .XX ±
THREE PLACE .XXX ±
FOUR PLACE .XXXX ±
ANGLES ±
THIRD ANGLE PROJECTION

DRAWN	SPK	08FEB08
CHECK	RJ	08FEB08
THIS DRAWING COVERS A PROPRIETARY ITEM AND IS THE PROPERTY OF HONEYWELL. THIS DRAWING IS NOT TO BE COPIED OR USED WITHOUT THE PERMISSION OF HONEYWELL.		
INTERPRET PER ANSI Y14.5M-1982 OTHER HONEYWELL ENGINEERING STANDARDS MAY APPLY		
RASTER		

Honeywell			
TITLE SWITCH - BASIC			
SIZE	TYPE	DRAWING NAME	REV
B	I	11SX1-H58	9
SCALE	-	WEIGHT: .003 LB MAX	SHEET 1 OF 1