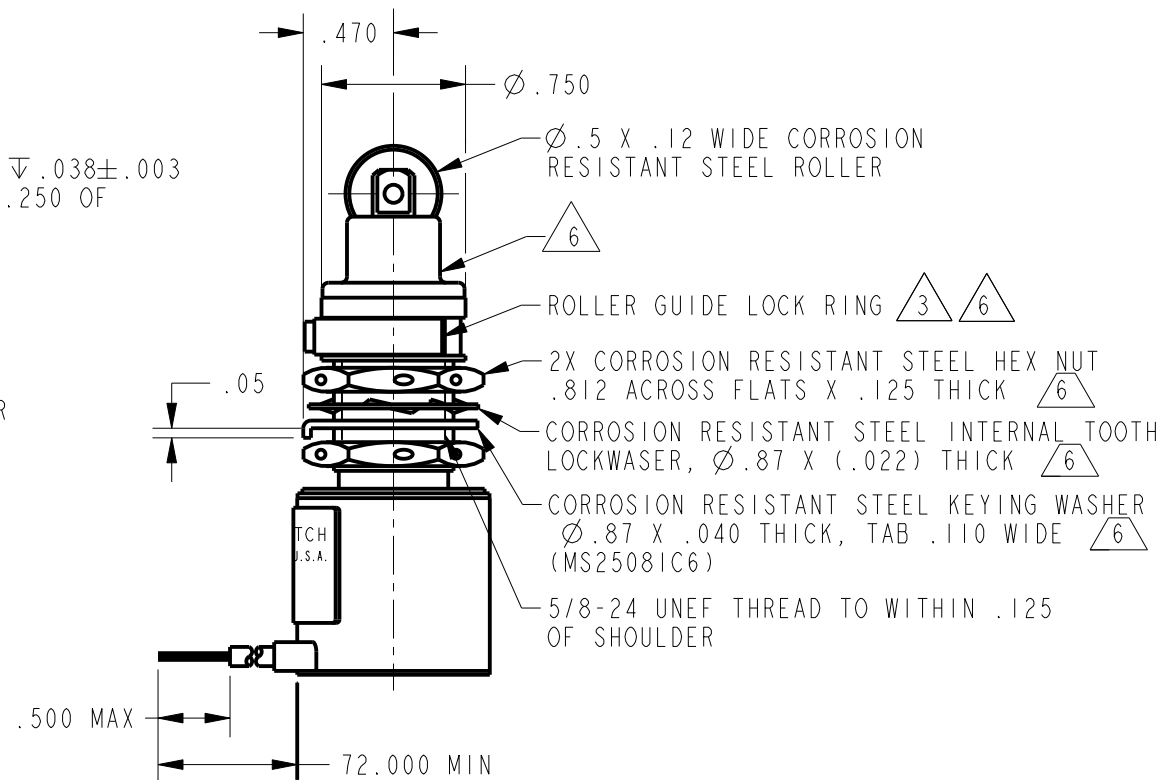
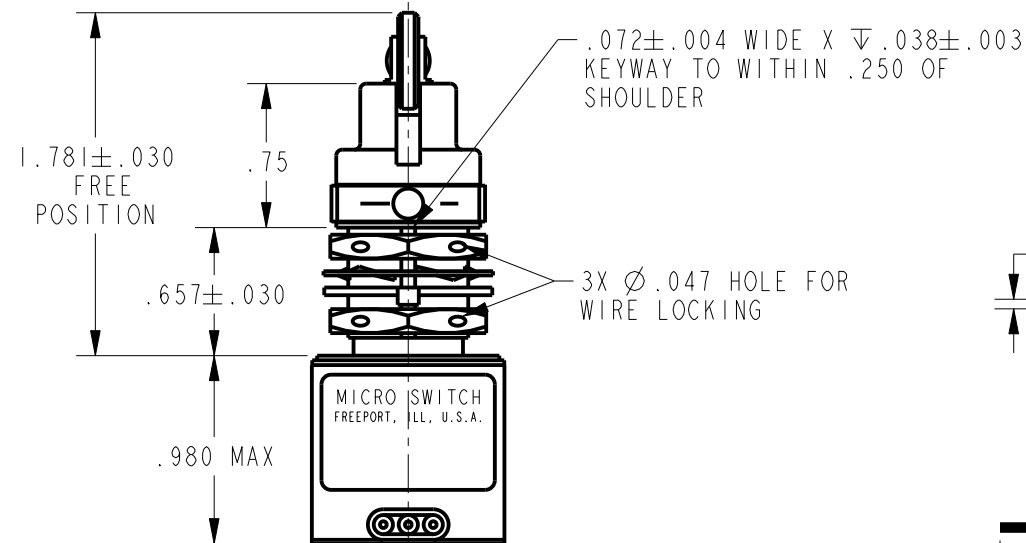
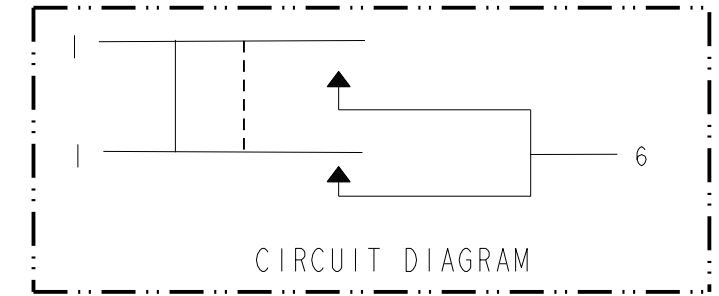
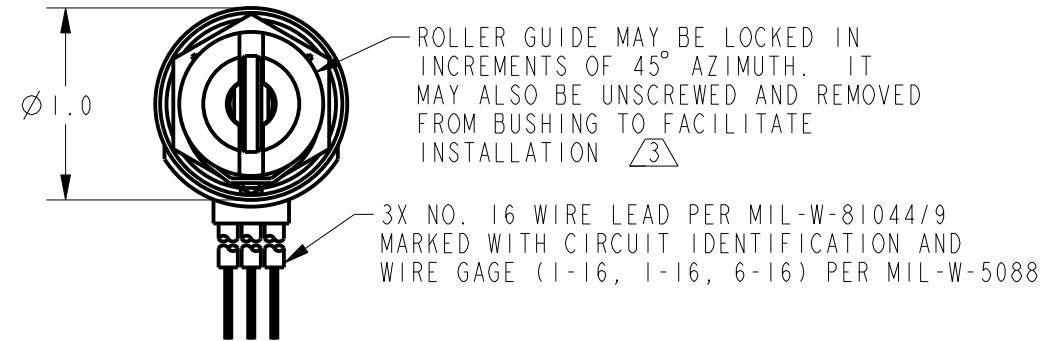


HONEYWELL PART NUMBER
21EN577-6

REV	DOCUMENT	CHANGED BY	CHECK
A	0012755	KSR 29APR05	AK



- NOTES
- 1 - CORROSION RESISTANT STEEL ENCLOSURE
 - 2 - SWITCH SEALED PER MIL-PRF-8805 SYMBOL 4
 - $\triangle 3$ TO ADJUST ROLLER DIRECTION, REMOVE ROLLER GUIDE LOCK RING, SCREW ROLLER GUIDE DOWN AS FAR AS POSSIBLE, THEN UNSCREW TO DESIRED DIRECTION. SECURE BY REPLACING ROLLER GUIDE LOCK RING
 - 4 - CIRCUIT DIAGRAM, CATALOG LISTING, DATE CODE, & FED MFG CODE ARE SHOWN ON NAMEPLATE
 - 5 - REPLACEMENT LOCK RING-PACKET 15PA137
 - $\triangle 6$ HARDWARE MAY BE PACKAGED UNASSEMBLED PER MIL-PRF-8805
 - 7 - WEIGHT: 6.0 OZ MAX

CHARACTERISTICS	ELECTRICAL DATA		
OPERATING FORCE-----	6-12 LB		
FULL OVERTRAVEL FORCE-----	30 LB MAX		
RELEASE FORCE-----	4 LB MIN		
PRETRAVEL-----	.040 MAX		
DIFFERENTIAL TRAVEL-----	.020 MAX		
OVERTRAVEL-----	.250 MIN		
	CONTACT ARRANGEMENT S P N O		
		28 VDC	
	LOAD	SEA LEVEL	50,000 FT.
	RES	4	4
	IND	2	2
	MOTOR	4	
	LAMP		

DESIGN UNITS: INCH

TOLERANCES UNLESS NOTED:

NO PLACE	X	±	-
ONE PLACE	.X	±	0.030
TWO PLACE	.XX	±	0.010
THREE PLACE	.XXX	±	0.005
FOUR PLACE	.XXXX	±	-
ANGLES	X	±	-

DRAWN	LJB	28MAR05
CHECK	AK	29APR05
THIS DRAWING COVERS A PROPRIETARY ITEM AND IS THE PROPERTY OF HONEYWELL. THIS DRAWING IS NOT TO BE COPIED OR USED WITHOUT THE PERMISSION OF HONEYWELL.		
INTERPRET PER ASME Y14.5M-1994 OTHER HONEYWELL ENGINEERING STANDARDS MAY APPLY		
Pro/ENGINEER	2D	

Honeywell			
TITLE SWITCH ENCLOSED			
SIZE	TYPE	DRAWING NAME	REV
B	I	21EN577-6	A
SCALE	1:1	SHEET	1 OF 1