

MICRO SWITCH
a Honeywell Division

FED. MFG. CODE 91929

SWITCH — TOGGLE
(MAGNETIC HOLD-IN)

CATALOG LISTING
26ET59-T

CATALOG LISTING
26ET59-T

PAGE 1 OF 1

ISSUE
9

REVISIONS
A CO-94289
JJA 12 FEB 99

CHECK

JJA 12 FEB 99

CHECK

JJA 12 FEB 99

CHECK

JJA 12 FEB 99

CHECK

JJA 12 FEB 99

DDM/CAD
DRAWN

REPLACES

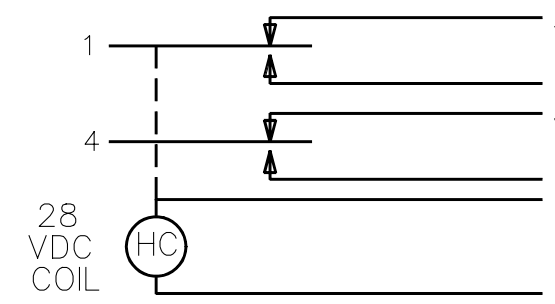
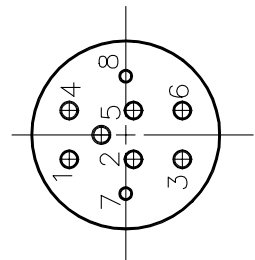
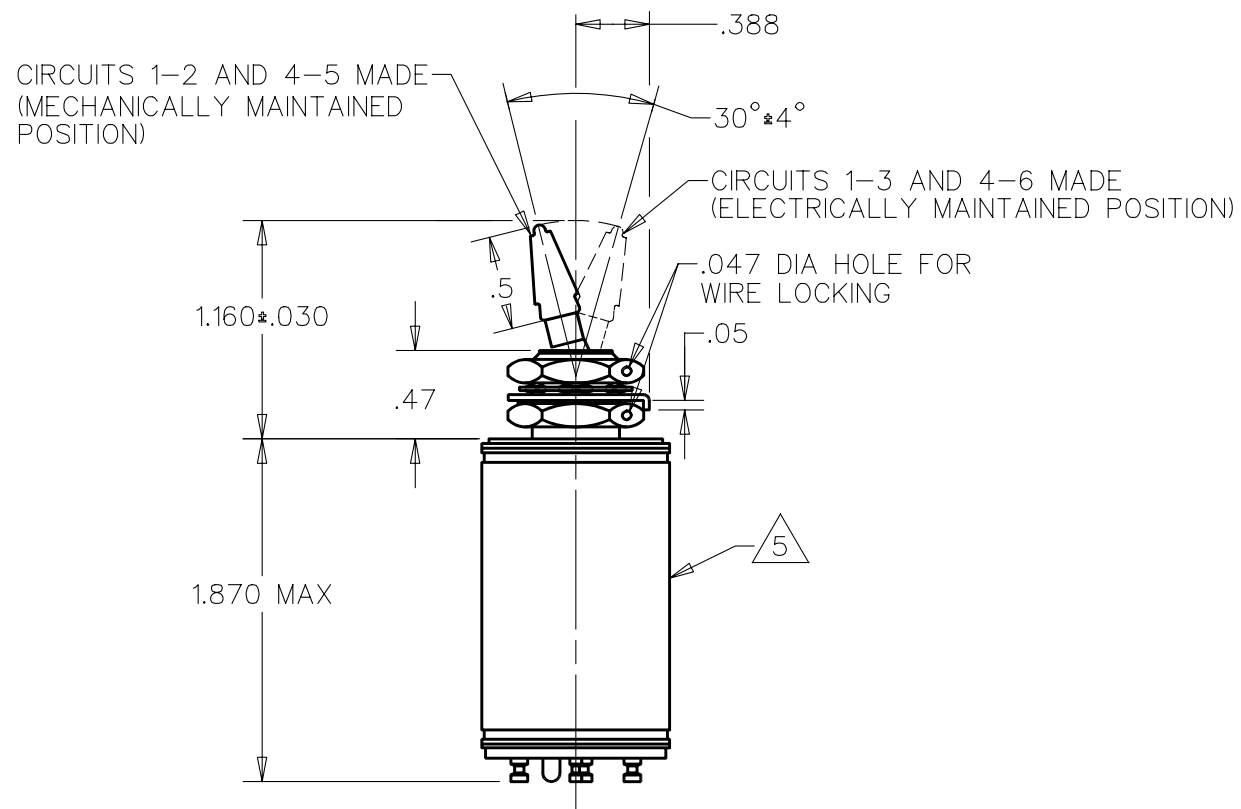
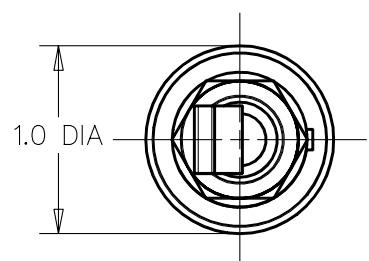
PR-7589

CHECK

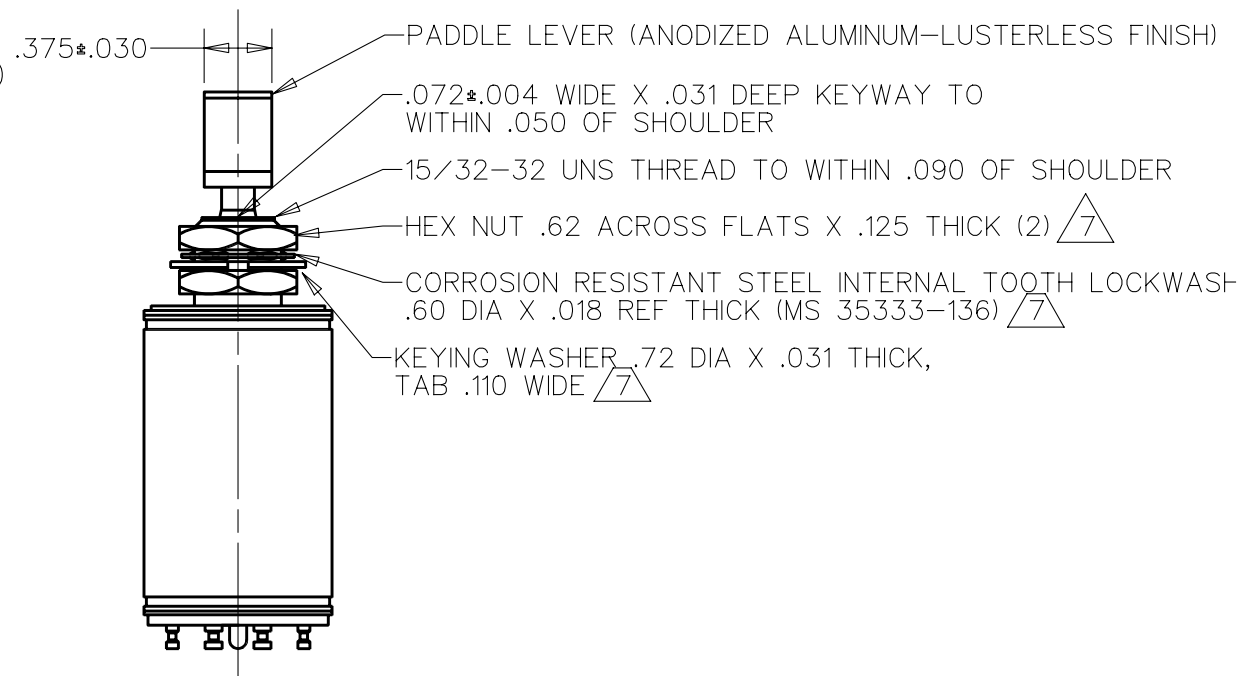
CHECK

CHECK

CHECK



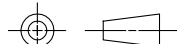
CIRCUIT DIAGRAM
(MECHANICALLY MAINTAINED POSITION)



- NOTES
- 1 - EXPOSED PARTS ARE OF CORROSION RESISTANT MATERIAL OR ARE SUITABLY PROTECTED TO PREVENT CORROSION, ENCLOSURE FINISHED WITH BLUE EPOXY BASED ENAMEL COLOR NO. 25184 PER FEDERAL STANDARD 595
 - 2 - SWITCH SEALED PER MIL-S-5594
 - 3 - HOLD IN VOLTAGE: THE MINIMUM SPECIFIED VOLTAGE AT WHICH THE LEVER WILL REMAIN ACTUATED. HOLD IN MAY OCCUR AT A LOWER VALUE. DROP OUT VOLTAGE: THE VOLTAGE RANGE IN WHICH THE LEVER WILL BE RELEASED
 - 4 - CIRCUITS CAN BE TRANSFERRED MANUALLY. ENERGIZING THE COIL WILL NOT CAUSE TRANSFER OF CIRCUITS
 - 5 - CIRCUIT IDENTIFICATION IS SHOWN ON SWITCH
 - 6 - SWITCHES DO NOT NECESSARILY OPERATE SIMULTANEOUSLY
 - 7 - HARDWARE MAY BE FURNISHED UNASSEMBLED PER MIL-S-5594

THIS DRAWING COVERS A PROPRIETARY ITEM AND IS THE PROPERTY OF MICRO SWITCH, A DIVISION OF HONEYWELL. THIS DRAWING IS NOT TO BE COPIED OR USED WITHOUT THE APPROVAL OF MICRO SWITCH

THIRD ANGLE PROJECTION



CHARACTERISTICS

SOLENOID RATING AT 20°C	
STEADY STATE LIMITS ———— 20-30 VDC	
HOLD IN ———— 15 VDC	
DROP OUT ———— 4-10 VDC	
OVERRIDE FORCE AT 30 VDC ——— 7.5 LB MAX	
OPERATION FORCE AT 30 VDC ——— 5 LB MAX	
COIL RESISTANCE AT 30 VDC — 880 ± 80 OHM MIN	

ELECTRICAL DATA

CONTACT ARRANGEMENT 2X S P D T						
VOLTAGE	RATING IN AMPERES					
	SEA LEVEL			65,000 FT		
28 VOLTS DC	RES	IND	MOTOR	RES	IND	MOTOR
	4	2.5	4	4	2	4

SCALE FULL

DO NOT SCALE PRINT

UNLESS OTHERWISE SPECIFIED TOLERANCES ARE

ONE PLACE	(.0)	±.030
TWO PLACE	(.00)	±.015
THREE PLACE	(.000)	±.005

ANGLES ±

WEIGHT 4.0 OZ MAX

ANSI Y14.5M-1982 APPLIES