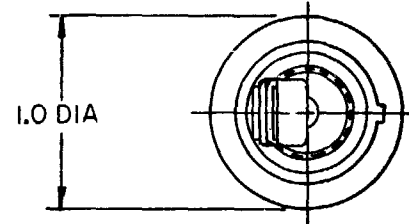


MICRO SWITCH
 FREEPORT ILLINOIS U S A
 A DIVISION OF HONEYWELL
 FED. MFG. CODE 91925

**SWITCH - TOGGLE
 (MAGNETIC HOLD-IN)**

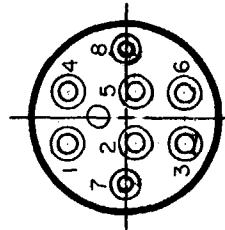
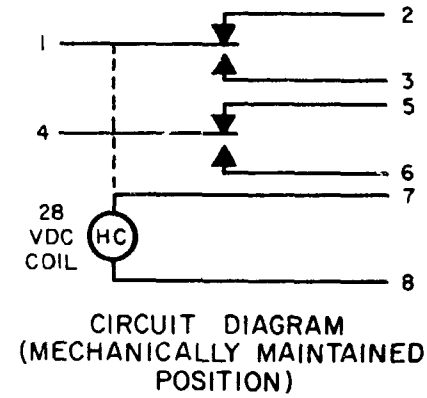
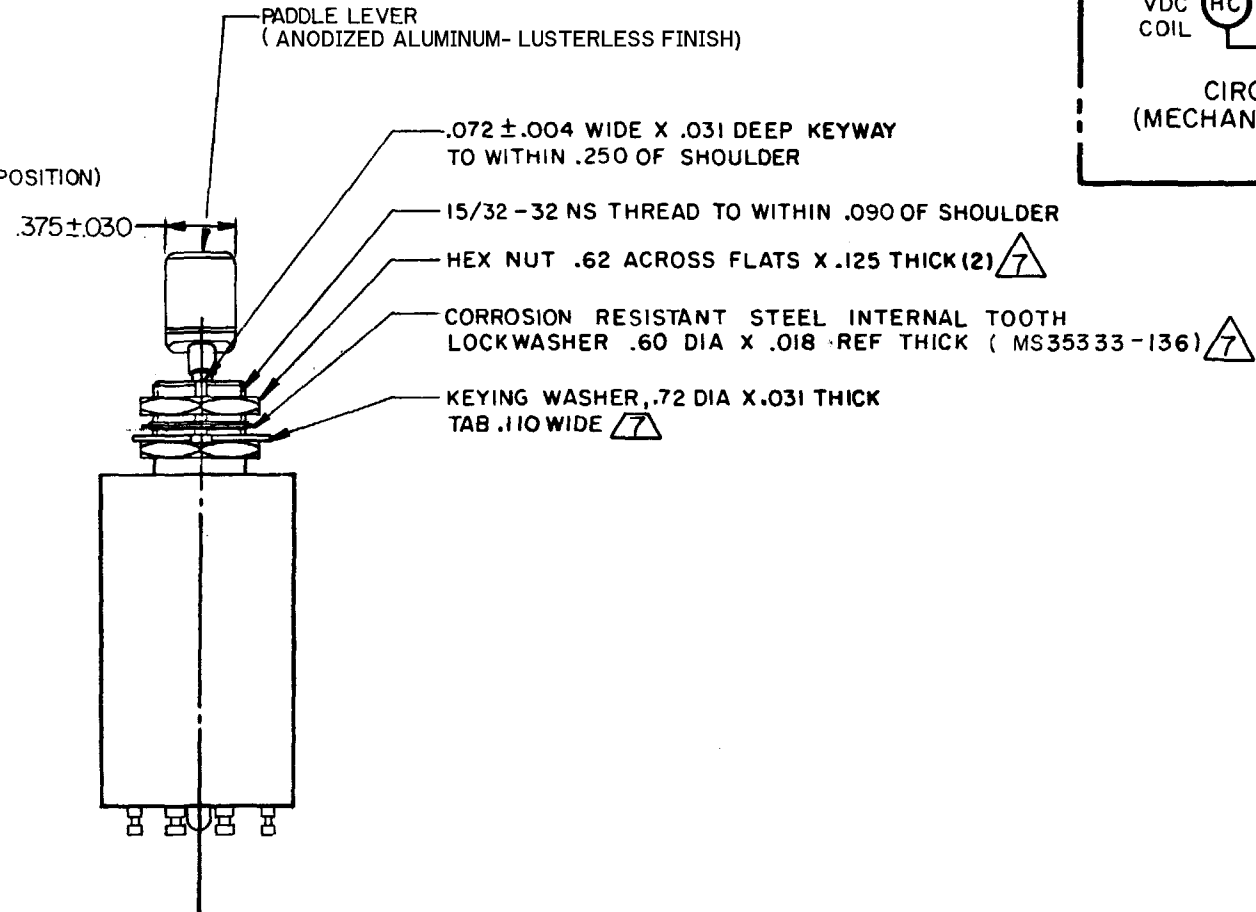
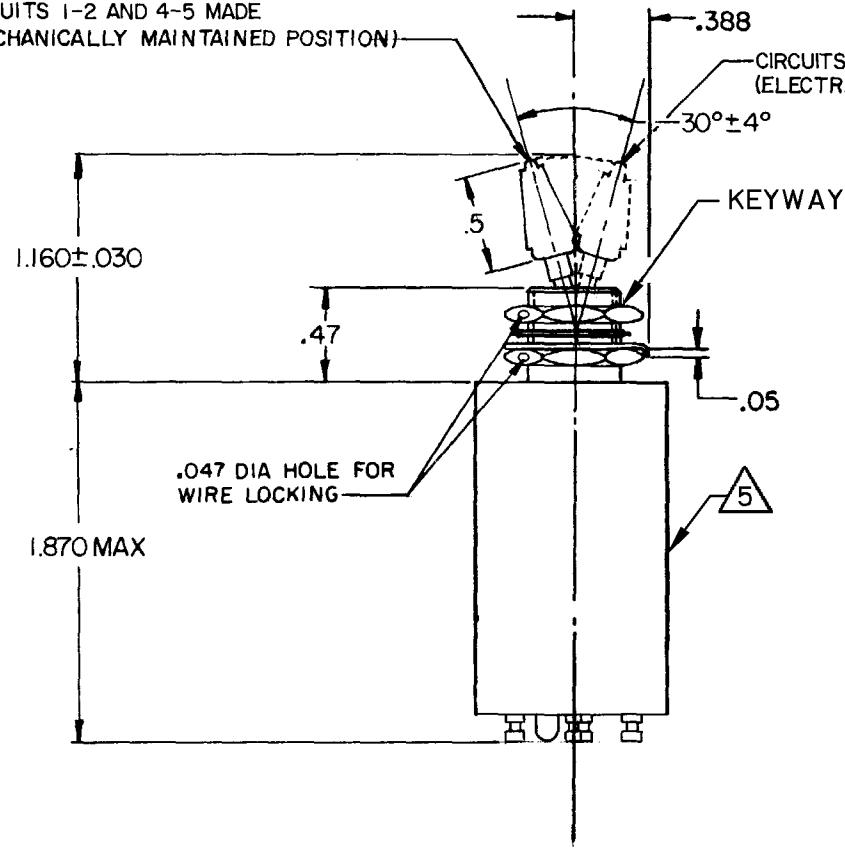
CATALOG LISTING
26ET9-T

THIS DRAWING COVERS A PROPRIETARY ITEM AND IS THE PROPERTY OF MICRO SWITCH A DIVISION OF HONEYWELL. THIS DRAWING IS NOT TO BE COPIED OR USED WITHOUT THE APPROVAL OF MICRO SWITCH.



CIRCUITS 1-2 AND 4-5 MADE
 (MECHANICALLY MAINTAINED POSITION)

CIRCUITS 1-3 AND 4-6 MADE
 (ELECTRICALLY MAINTAINED POSITION)



NOTES

- 1 - EXPOSED PARTS ARE OF CORROSION RESISTANT MATERIAL OR ARE SUITABLY PROTECTED TO PREVENT CORROSION. ENCLOSURE FINISHED WITH BLUE EPOXY BASED ENAMEL COLOR NO. 25184 PER FEDERAL STANDARD 595
- 2 - SWITCH SEALED PER MIL-S-5594
- 3 HOLD IN VOLTAGE: THE MINIMUM SPECIFIED VOLTAGE AT WHICH THE LEVER WILL REMAIN ACTUATED. HOLD IN MAY OCCUR AT A LOWER VALUE
 DROP OUT VOLTAGE: THE VOLTAGE RANGE IN WHICH THE LEVER WILL BE RELEASED
- 4 - CIRCUITS CAN BE TRANSFERRED MANUALLY. ENERGIZING THE COIL WILL NOT CAUSE TRANSFER OF CIRCUITS
- 5 CIRCUIT IDENTIFICATION IS SHOWN ON SWITCH KEYWAY SIDE
- 6 SWITCHES DO NOT NECESSARILY OPERATE SIMULTANEOUSLY
- 7 HARDWARE MAYBE FURNISHED UNASSEMBLED PER MIL-S-5594

FORMTEK
 FO-32851
 DRAWN
 J A H 3 DEC 73
 CHECK
 L S D 4 DEC 73
 REVISIONS
 K CO95336 8 JUN 99
 J CO94366 7 AUG 96
 H CO79565 19 JUL 85
 G CO56297-B 15 MAR 84
 F CO53401 26 JAN 84
 E CO54584 30 SEP 81
 D CO50162 16 APR 77
 C CO38514 26 DEC 75
 B CO36521 24 APR 75
 A PR 4871 24 APR 75
 GLH
 ISSUE 11
 DRAWING NUMBER
 M
 26ET9-T
 PAGE 1 OF 1
 REPLACES
 RELEASE NO. PR-4871

| CHARACTERISTICS | ELECTRICAL DATA | SCALE FULL |
|---|------------------------------------|--------------------------|
| SOLENOID RATING AT 20°C | CONTACT ARRANGEMENT S P D T (2) | DO NOT SCALE PRINT |
| STEADY STATE LIMITS-----20-30 VDC | | UNLESS OTHERWISE NOTED |
| HOLD IN-----15 VDC | RATING IN AMPERES | DIMENSIONS ARE IN INCHES |
| DROP OUT-----0-15 VDC | VOLTAGE | TOLERANCES ARE: |
| OVERRIDE FORCE AT 30 VDC-----7.5 LB MAX | SEA LEVEL | ONE PLACE ±.01 |
| OPERATING FORCE AT 30 VDC-----5 LB MAX | 65,000 FT | TWO PLACE ±.001 |
| COIL RESISTANCE AT 30 VDC-----460 OHM MIN | RES IND MOTOR | THREE PLACE ±.0001 |
| | 28 VOLTS DC | ANGLES |
| | 4 2.5 4 | |
| | 4 2 4 | |
| | | WEIGHT 4.0 OZ MAX |