

MICROSWITCH
a Honeywell Division

FED. MFG. CODE 91929

**SWITCH - TOGGLE
(MAGNETIC HOLD-IN)**

CATALOG LISTING

27ET129-T

27ET129-T

CATALOG LISTING

M

ISSUE 5

REVISIONS

A 0000244
CSL
8 MAY 03

CHECK

8 MAY 03

SAV

CHECK

8 MAY 03

PTC/CAD 2D

DRAWN

CSL

REPLACES -

RELEASE NO. PR-14572

PAGE 1 OF 1

CHECK

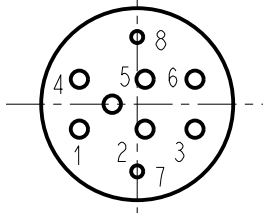
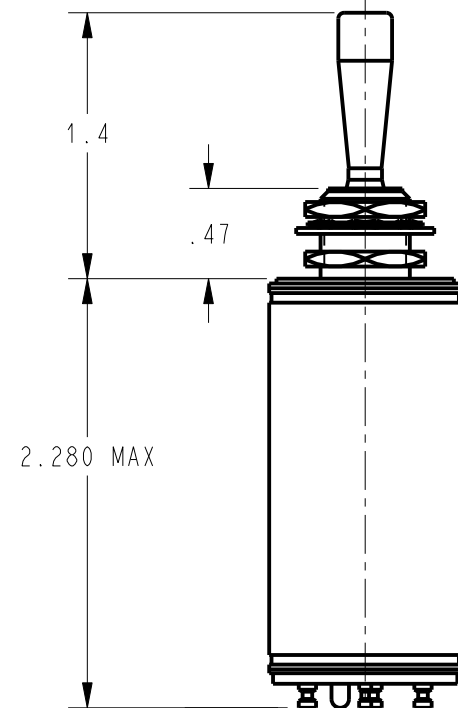
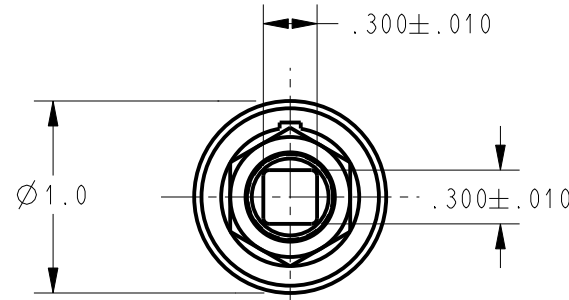
CHECK

SAV

CHECK

8 MAY 03

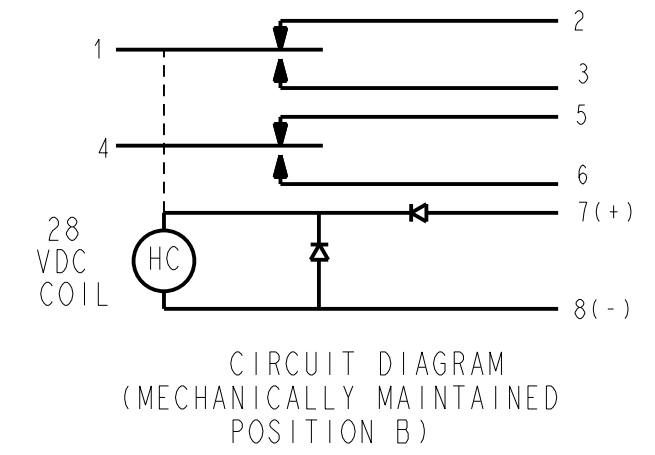
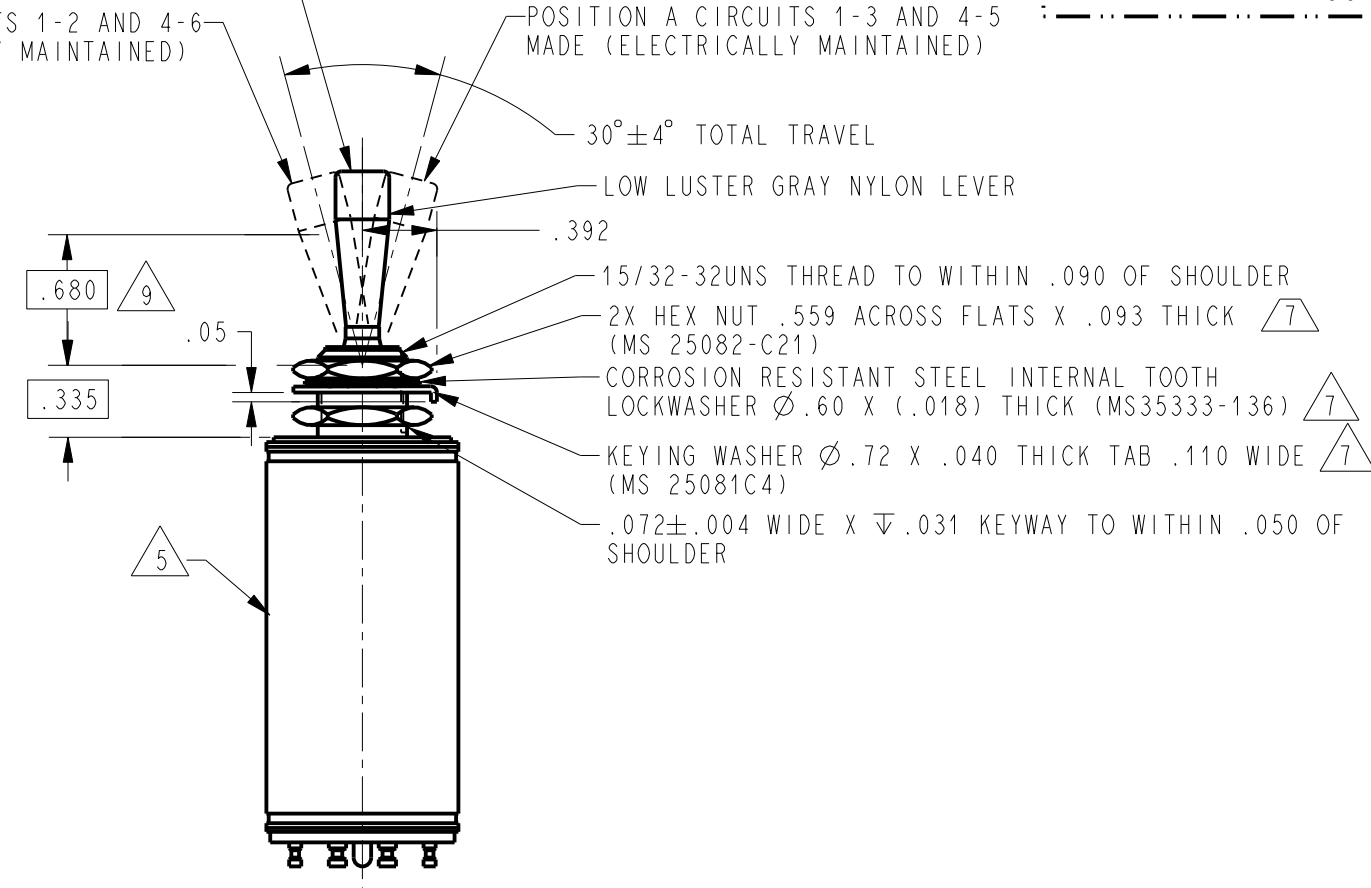
CSL



POSITION B CIRCUITS 1-2 AND 4-5
MADE (MECHANICALLY MAINTAINED)

POSITION C CIRCUITS 1-2 AND 4-6
MADE (ELECTRICALLY MAINTAINED)

POSITION A CIRCUITS 1-3 AND 4-5
MADE (ELECTRICALLY MAINTAINED)

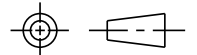


NOTES

- 1 - EXPOSED PARTS ARE OF CORROSION RESISTANT MATERIAL OR ARE SUITABLY PROTECTED TO PREVENT CORROSION, ENCLOSURE FINISHED WITH BLUE EPOXY BASED ENAMEL COLOR NO. 25184 PER FEDERAL STANDARD 595
- 2 - SWITCH SEALED PER MIL-S-5594
- 3 - HOLD IN VOLTAGE: THE MINIMUM SPECIFIED VOLTAGE AT WHICH THE LEVER WILL REMAIN ACTUATED. HOLD IN MAY OCCUR AT A LOWER VALUE. DROP OUT VOLTAGE: THE VOLTAGE RANGE IN WHICH THE LEVER WILL BE RELEASED
- 4 - CIRCUITS CAN BE TRANSFERRED MANUALLY. ENERGIZING THE COIL WILL NOT CAUSE TRANSFER OF CIRCUITS
- 5 - CIRCUIT IDENTIFICATION IS SHOWN ON SWITCH
- 6 - WEIGHT OF SWITCH ONLY IS 4.0 OZ MAX
- 7 - HARDWARE MAY BE FURNISHED UNASSEMBLED PER MIL-S-5594
- 8 - THE DIODES ARE JANTXV TYPE AND LIMIT THE EMI: SPIKES (TRANSIENTS OF DURATION LESS THAN 500 MICRO SECONDS) GENERATED BY THE SWITCH COIL SHALL NOT EXCEED +42 VOLTS OR -14 VOLTS ABSOLUTE
- 9 - FORCE TO BE APPLIED AT THIS POINT IN A DIRECTION PERPENDICULAR TO THE LEVER LONGITUDINAL AXIS

THIS DRAWING COVERS A PROPRIETARY ITEM AND IS THE PROPERTY OF MICRO SWITCH, A DIVISION OF HONEYWELL. THIS DRAWING IS NOT TO BE COPIED OR USED WITHOUT THE APPROVAL OF MICRO SWITCH

THIRD ANGLE PROJECTION



CHARACTERISTICS

SOLENOID RATING AT 20°C	
STEADY STATE LIMITS	-20-29 VDC
HOLD IN	15 VDC
DROP OUT	0-15 VDC
COIL RESISTANCE	220 OHM MIN
OPERATING FORCE	7 LBS MAX -1.25 LB MIN
OVERRIDE FORCE @ 30 VDC	10 LBS MAX -2.5 LB MIN

ELECTRICAL DATA

CONTACT ARRANGEMENT		
2X S P D T		
RATINGS IN AMPERES		
VOLTAGE	SEA LEVEL	65,000 FT
	INRUSH RES	IND MOTOR
28 VOLTS DC	7 2	5 1.5

SCALE FULL

DO NOT SCALE PRINT

UNLESS OTHERWISE SPECIFIED TOLERANCES ARE

ONE PLACE (.0) ±.030

TWO PLACE (.00) ±.015

THREE PLACE (.000) ±.005

ANGLES ±

WEIGHT 6

ANSI Y14.5M-1982 APPLIES