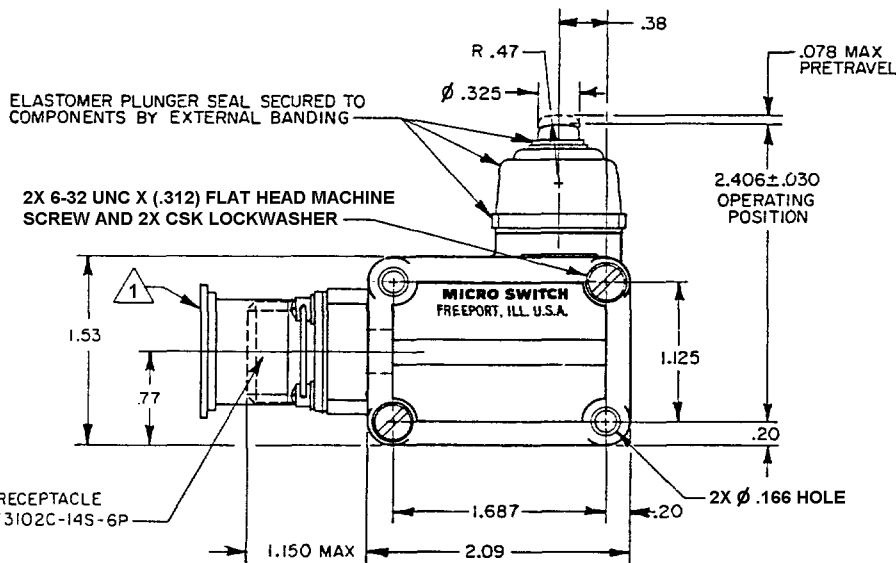
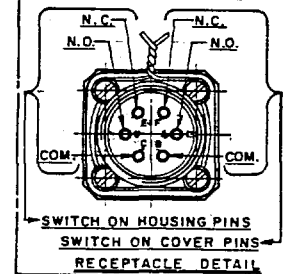
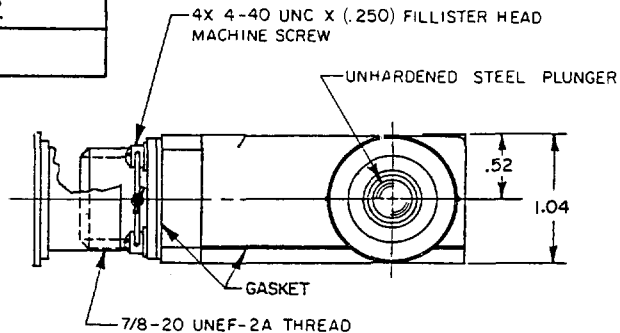


MICRO SWITCH
 FREEPORT, ILLINOIS, U.S.A.
 A DIVISION OF HONEYWELL
 FED. MFG. CODE 91999

SWITCH-ENCLOSED

CATALOG LISTING
2VB2



AMPHENOL RECEPTACLE
 PART NO. CF3102C-14S-6P

ANSI Y14.5M-1982 APPLIES

THIS DRAWING COVERS A PROPRIETARY ITEM AND IS THE PROPERTY OF MICRO SWITCH, A DIVISION OF HONEYWELL. THIS DRAWING IS NOT TO BE COPIED OR USED WITHOUT THE APPROVAL OF MICRO SWITCH.

| | |
|------------------------------------|---|
| SCALE FULL | |
| DO NOT SCALE PRINT | |
| CHARACTERISTICS | ELECTRICAL DATA |
| OPERATING FORCE ----- 5 LB MAX | CONTACT ARRANGEMENT 2X SPDT |
| RELEASE FORCE ----- 0.5 LB MIN | UNLESS OTHERWISE SPECIFIED TOLERANCES ARE |
| DIFFERENTIAL TRAVEL ----- .031 MAX | ONE PLACE (.0) ± .030 |
| OVERTRAVEL ----- .250 MIN | TWO PLACE (.00) ± .015 |
| | THREE PLACE (.000) ± .005 |
| | ANGLES ± 2° |
| | WEIGHT |

NOTES

- 1 - FURNISHED WITH SNUG FITTING PLASTIC PROTECTIVE DUST CAP
- 2 - ALUMINUM ENCLOSURE ZINC PHOSPHATE COATED AND FINISHED WITH ONE COAT PRIMER
- 3 - SWITCHES DO NOT OPERATE SIMULTANEOUSLY
- 4 - SWITCH WILL PERFORM SATISFACTORILY IN TEMPERATURES TO MINUS 65°F

CATALOG LISTING 2VB2 PAGE 1 OF 1
 DRAWING NUMBER M
 ISSUE 17
 RELEASE NO. SR-327-1
 REPLACES
 CHECK
 REVISIONS
 A C055087 KJS 14 JUN 84
 B C058411 CJC NOV 85
 C C063567 KJM MAY 88
 D C074590 JAH 27 MAR 93
 E 201300
 F 204636 JAH 11 DEC 01
 CHECK
 DRAWN
 KJS 14 JUN 84
 RASTER