

PAGE 1 OF 1
X24754 ISS 1

REPLACES

RELEASE NO. PR-3964

JX-4

CATALOG LISTING



ISSUE

10

CHECK

REVISIONS

A 205206

JLH
29MAR02

CHECK

29MAR02

SAV

CHECK

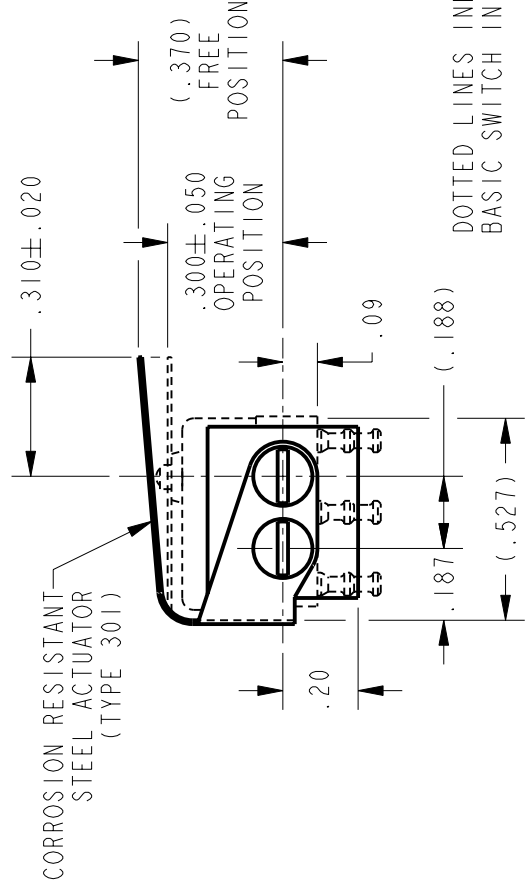
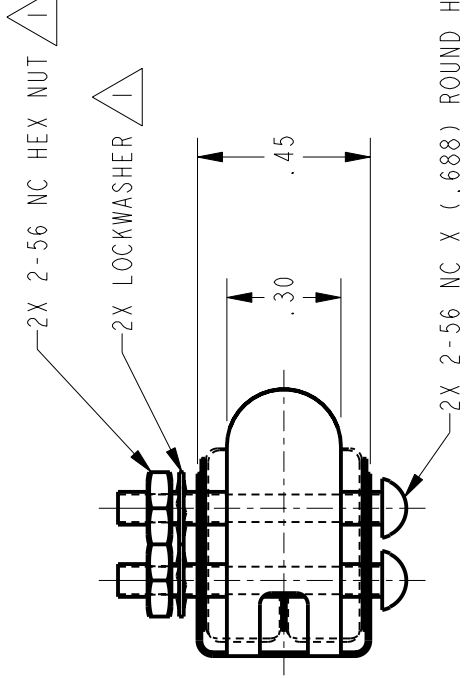
29MAR02

JLH

29MAR02

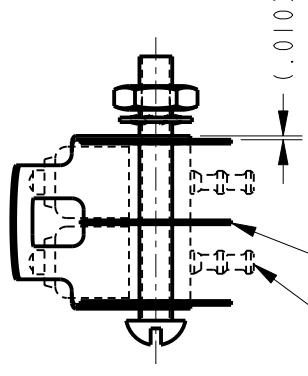
DRAWN

PTC/CAD 3D



DOTTED LINES INDICATE BASIC SWITCH IN PLACE

3X FLEXIBLE INSULATOR $\triangle 1$



NOTES
 $\triangle 1$ FURNISHED UNASSEMBLED
 $\triangle 2$ SLIGHT ROTATION BETWEEN BASICS AND ACTUATOR MAY BE NECESSARY TO OBTAIN OPERATING POSITION

ANSI Y14.5M-1982 APPLIES

THIS DRAWING COVERS A PROPRIETARY ITEM AND IS THE PROPERTY OF MICRO SWITCH. A DIVISION OF HONEYWELL. THIS DRAWING IS NOT TO BE COPIED OR USED WITHOUT THE APPROVAL OF MICRO SWITCH.

ELECTRICAL DATA		SCALE		THIRD ANGLE PROJECTION	
CONTACT ARRANGEMENT		2:1		DO NOT SCALE PRINT	
CHARACTERISTICS		UNLESS OTHERWISE SPECIFIED TOLERANCES ARE		ONE PLACE (.0)	
OPERATING FORCE 15 OZ MAX		TWO PLACE (.00)		±.015	
DIFFERENTIAL FORCE		THREE PLACE (.000)		±.005	
RELEASE FORCE 3 OZ MIN		ANGLES		±	
PRETRAVEL		WEIGHT			
DIFFERENTIAL TRAVEL030 MAX					
OVERTRAVEL008 MIN					
FREE POSITION					