

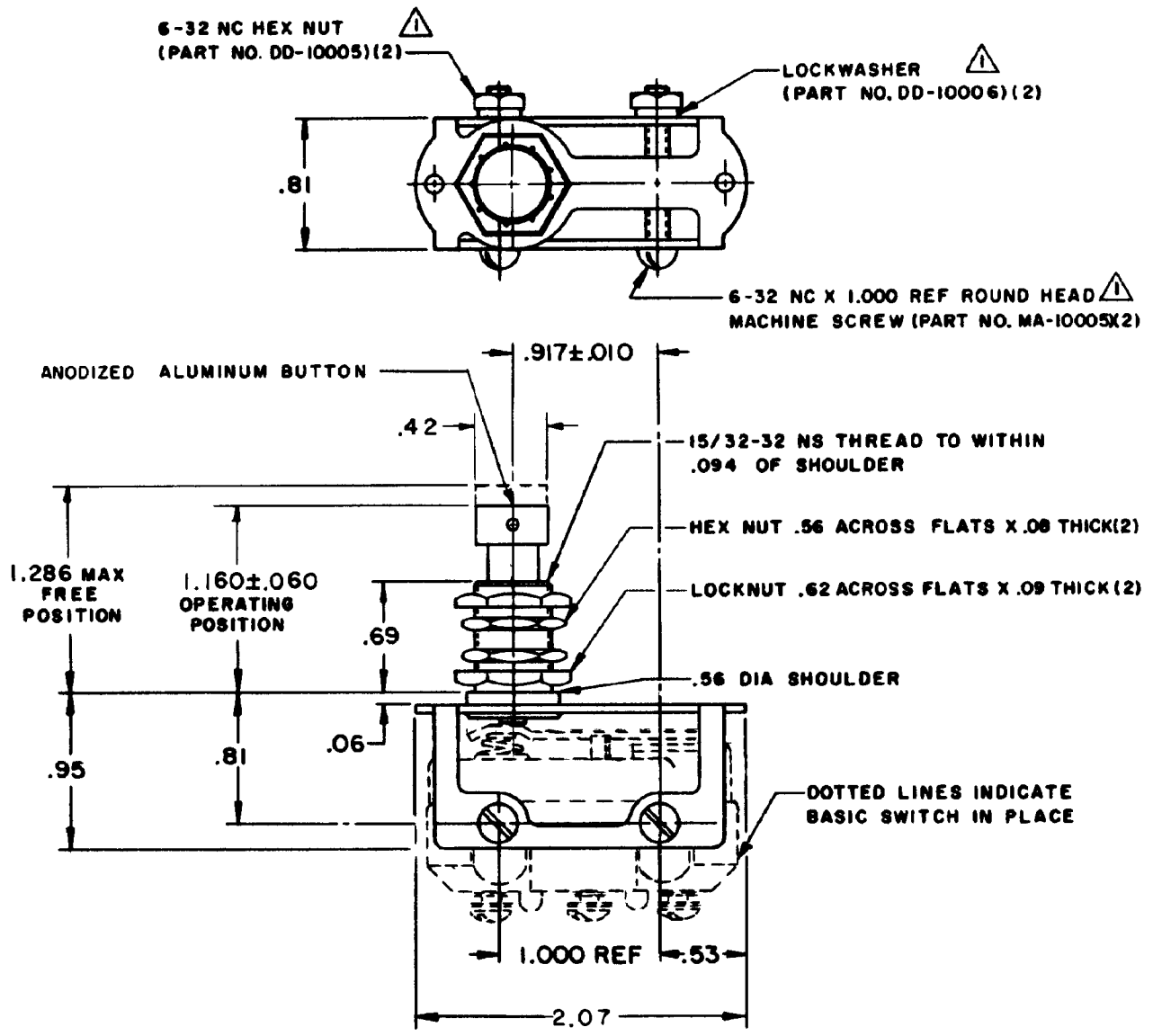
MICRO SWITCH
 A DIVISION OF MINNEAPOLIS-HONEYWELL REGULATOR COMPANY
 FREEPORT, MINN. 55622
 FED. MFR. ' 7) E 91929

ACTUATOR-SWITCH

CATALOG LISTING
MCH2711A3

(M) X 25841
 ISSUE 1

CATALOG LISTING
MCH2711A3
 PAGE 1 OF 1
 RELEASE NO. SR 10361
M
 ISSUE 6



NOTE -
 1 - FURNISHED UNASSEMBLED
 2 - ACTUATOR WILL PERFORM SATISFACTORILY IN TEMPERATURES TO MINUS 65° F
 3 - WITH BZ-R31 BASIC SWITCHES IN PLACE

THIS DRAWING COVERS A PROPRIETARY ITEM AND IS THE PROPERTY OF MICRO SWITCH, A DIVISION OF MINNEAPOLIS-HONEYWELL REGULATOR CO. THIS DRAWING IS NOT TO BE COPIED OR USED WITHOUT THE APPROVAL OF MICRO SWITCH.

CHARACTERISTICS	ELECTRICAL DATA		SCALE FULL
FULL OVERTRAVEL FORCE --- 5 LB MAX	CONTACT ARRANGEMENT	BREAK DISTANCE	DO NOT SCALE PRINT
OVERTRAVEL --- .188 APPROX			UNLESS OTHERWISE SPECIFIED DIMENSIONS ARE IN INCHES
			TOLERANCES ARE:
			ONE PLACE (.0) ±.030
			TWO PLACE (.00) ±.018
			THREE PLACE (.000) ±.008
			ANGLES ±
			WEIGHT

REVISIONS

A	C080228	J A P	5 OCT 81
B	002537	S J W	5 MAR 86
C	203421	C S L	26 JUN 01
D	0005508	PEH/AP	18 MAY 04
E	0005642	TCC/AP	26 MAY 04

10 APRIL 62 CHECK GCH 11 APR 62

MBF 10 APRIL 62 CHECK GCH 11 APR 62

RASTER
 DRAWN
 FO-80378