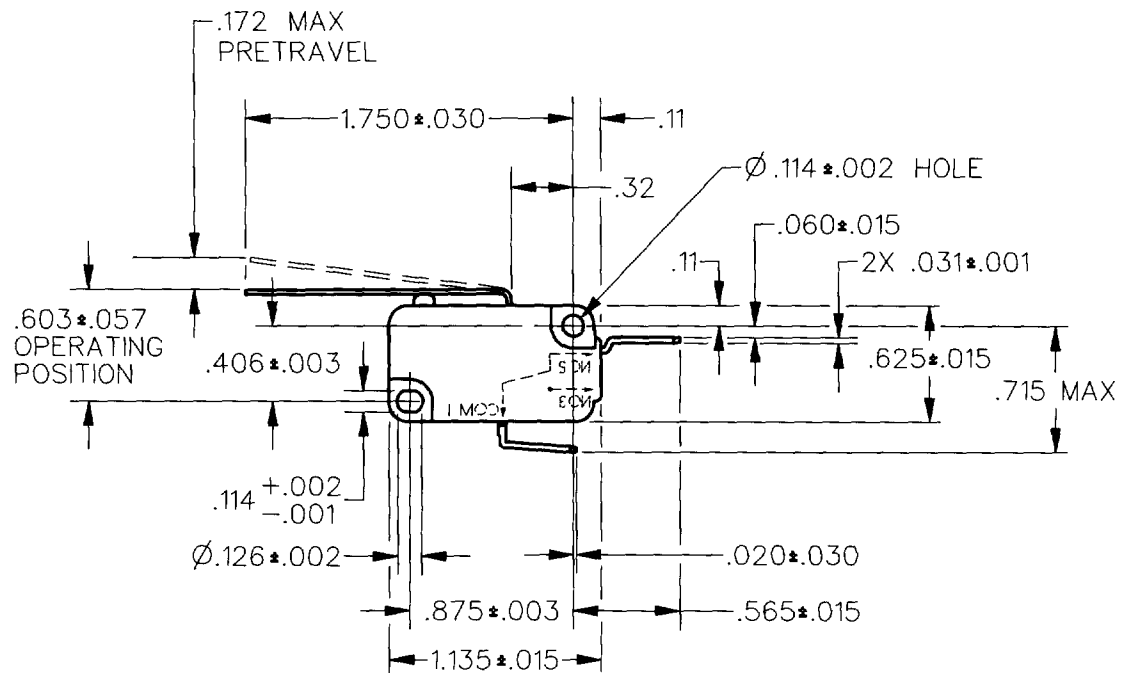
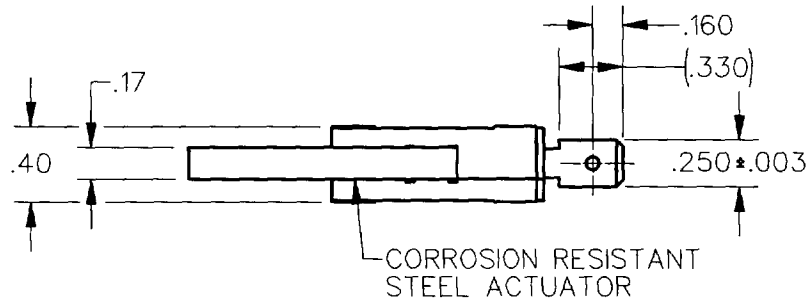


Honeywell

FED. MFG. CODE 91929

SWITCH-BASIC

CATALOG LISTING

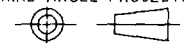
V7-6C37E9-036**CW-C6037**

CATALOG LISTING
M V7-6C37E9-036
ISSUE 2
REPLACES
RELEASE NO PR-20992
CHECK
01 JUL 08
ASD
CHECK
16 FEB 94
DCS
CHECK
22 NOV 93
DRAWN
DCS

ANSI Y14.5M-1982 APPLIES

THIS DRAWING COVERS A PROPRIETARY ITEM AND IS THE PROPERTY OF HONEYWELL. THIS DRAWING IS NOT TO BE COPIED OR USED WITHOUT THE APPROVAL OF HONEYWELL.

THIRD ANGLE PROJECTION



CHARACTERISTICS
OPERATING FORCE — — — — 6 OZ MAX
RELEASE FORCE — — — — — 1 OZ MIN
DIFFERENTIAL TRAVEL — — — .038 MAX
OVERTRAVEL — — — — — .091 MIN
RELEASE TRAVEL — — — — — .022 MIN

ELECTRICAL DATA
CONTACT ARRANGEMENT S P N C
L215
15.1A 1/2HP 125, 250 OR 277 VAC
1/2A 125 VDC
1/4A 250 VDC; 5A 125 VAC "L"

SCALE FULL	DO NOT SCALE PRINT
UNLESS OTHERWISE SPECIFIED TOLERANCES ARE	
ONE PLACE (.0)	± .030
TWO PLACE (.00)	± .015
THREE PLACE (.000)	± .005
ANGLES	± 3°
WEIGHT	

