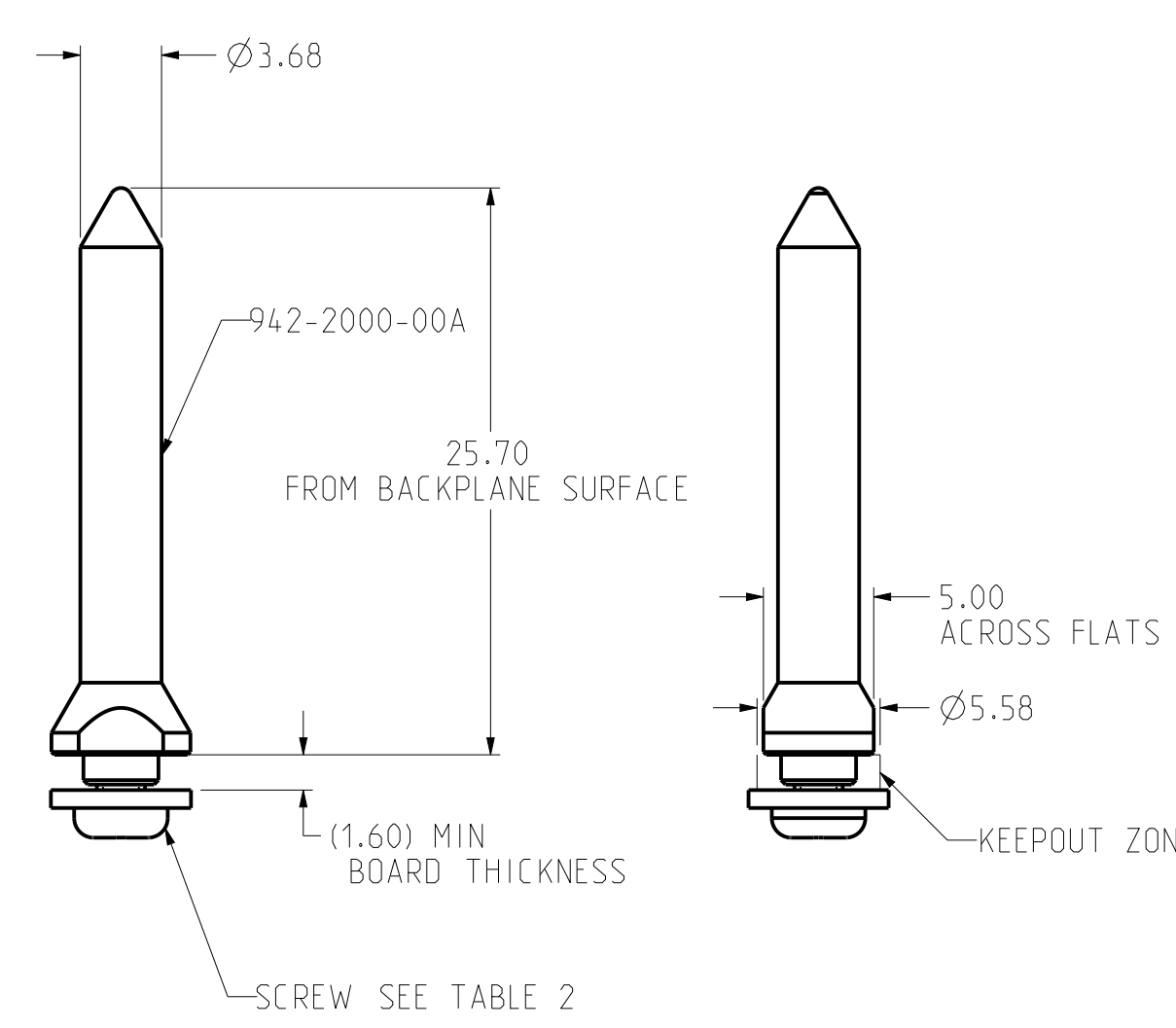
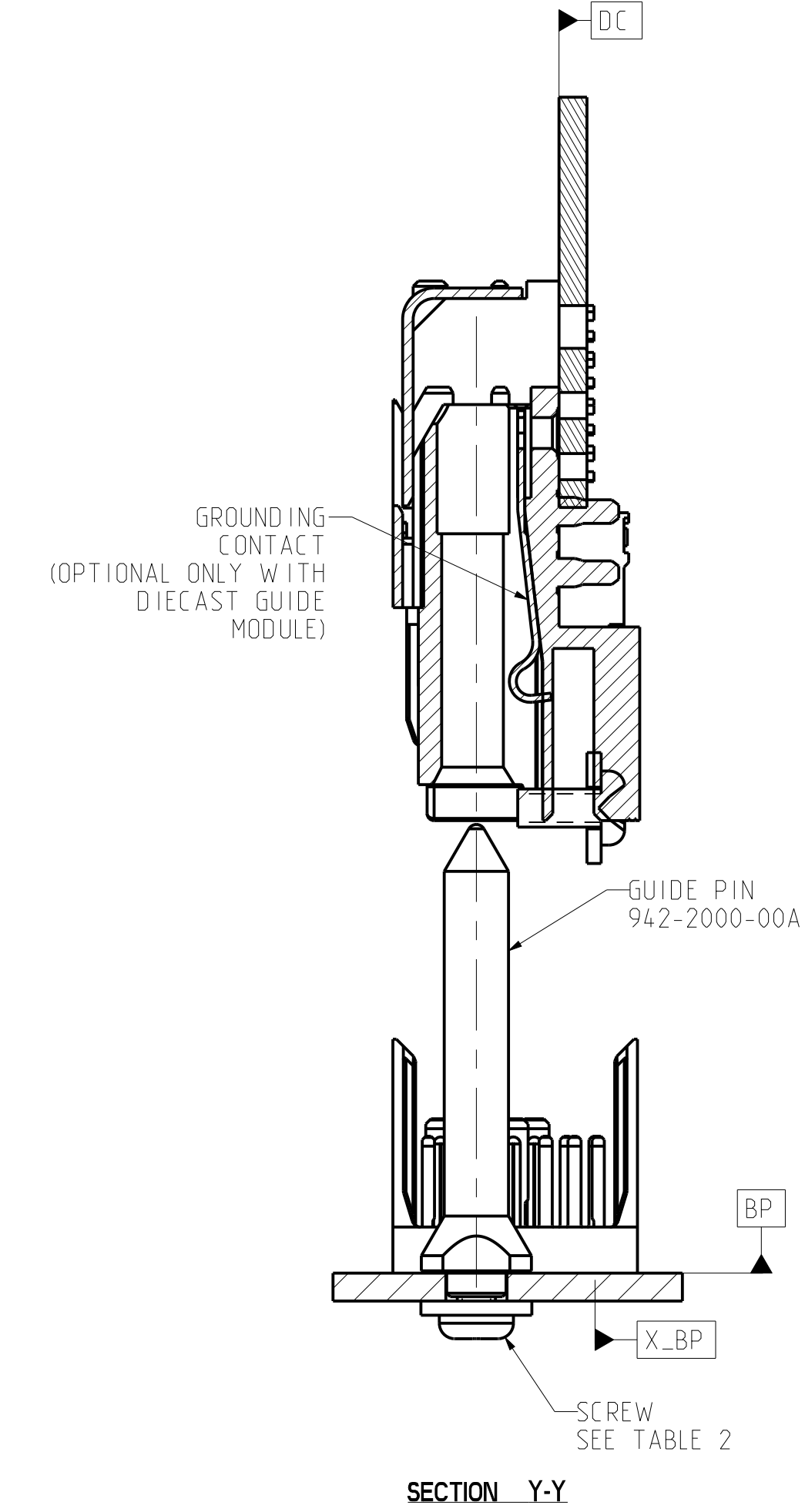
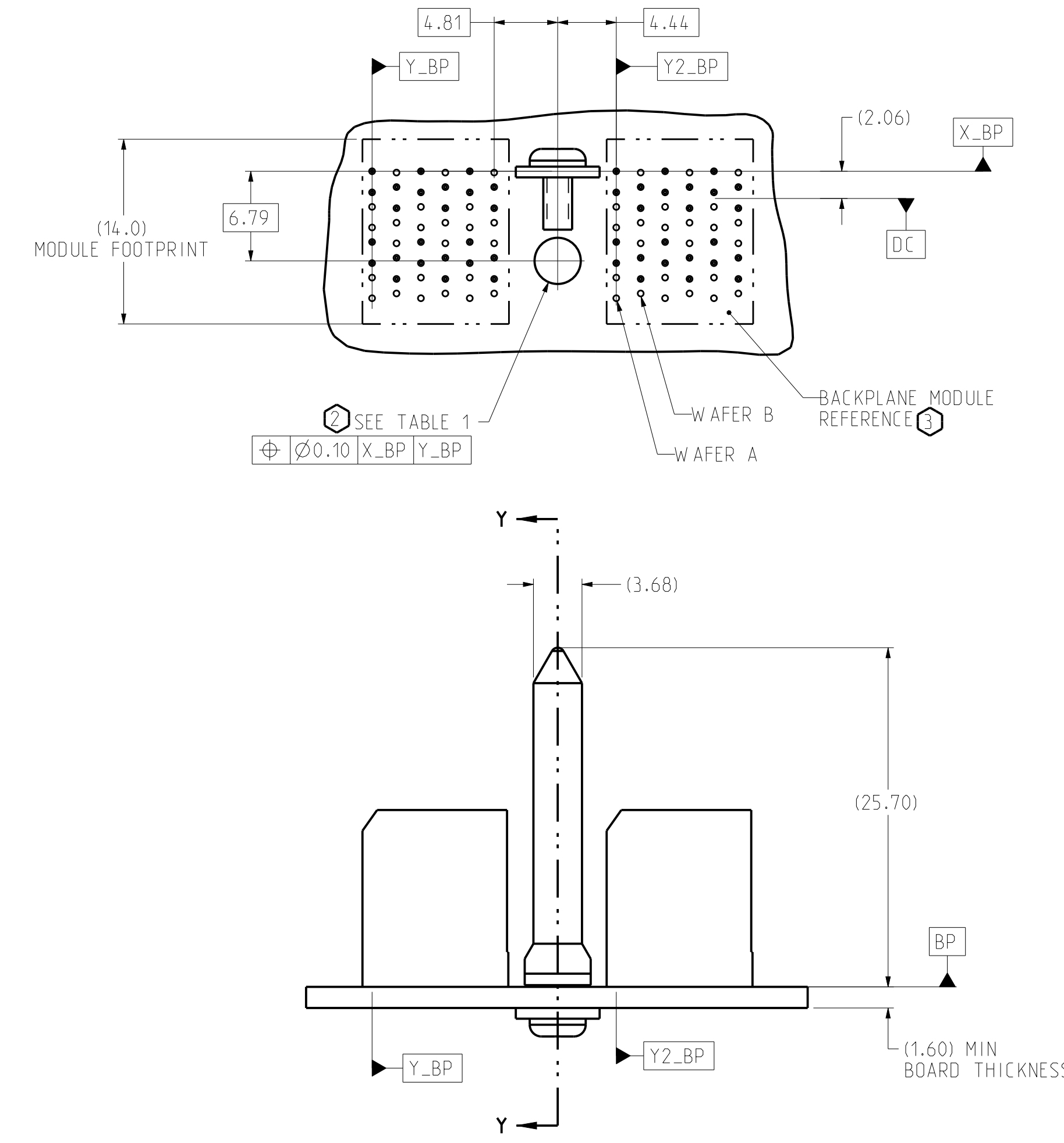


ZONE	REV	SCR NUMBER	DESCRIPTION	BY	DATE	APPROVED
ALL	A	AASY-7L5Q87.VER01	NEW RELEASE	HCL-RB	11/12/2008	D.SMITH
SH1.A7	B	TNIF-9WAPD9.VER01	ADDED KEEPOUT ZONE ADDED NOTE 4	HCL-WS	05/12/2015	T.NIERENDORF



	UNGROUND	GROUND <sup>2</sup>
FHS	Ø3.48 - 3.63	Ø3.48 - 3.63
PAD	N/A	Ø6.5
PLATED	NO	YES
DRILL (mm)	3.57 mm	3.66 mm
DRILL (in)	0.1405"	0.144"

SCREW P/N	DESCRIPTION	BOARD THICKNESS
577-0014-000	#2-56 X 0.375" LG. PHILIPS PANHEAD W/SQ CONICAL WASHER	1.60 - 5.00 mm
577-0015-000	#2-56 X 0.5" LG. PHILIPS PANHEAD W/SQ CONICAL WASHER	5.00 - 8.00 mm
577-0016-000	#2-56 X 0.625" LG. PHILIPS PANHEAD W/SQ CONICAL WASHER	8.00 - 10.00 mm

NOTES:

- REFER TO TB-2150 FOR XcEdE PRODUCT SPECIFICATIONS.
- <sup>2</sup> PLATED THRU HOLE TO CONNECT TO CHASSIS FOR GROUNDED GUIDE MODULE OPTION. SEE TB-2149 FOR ROUTING GUIDELINES.
- <sup>3</sup> REFER TO BP CUSTOMER USE DRAWINGS FOR ROW AND COLUMN ASSIGNMENTS.
- <sup>4</sup> NO VIAS OR SURFACE TRACES IN THIS AREA.

TOLERANCES		DESIGN 06/29/2007 LEIGHTON	<b>Amphenol TCS</b> A Division of Amphenol Corporation 200 Innovative Way, Nashua, NH 03082 603.879.3000	TITLE	
0.0	±0.25	DRAWN 06/29/2007 LEIGHTON		STANDALONE, GUIDE PIN, Ø3.68 mm	
0.00	±0.13	CHK 07/02/2007 A.PFAHNL		XCede 2 PAIR BACKPLANE	
0.000	± -	APVD 07/02/2007 A.PFAHNL		PART NO.	942-2000-00A
UNLESS OTHERWISE SPECIFIED DIMENSIONS ARE IN MM, DECIMAL MAKER IS PERIOD			DRAWING NO.	C942-2000-000	REV N/A
INTERPRET PER ASME Y14.5M CODE IDENT 31413			CUSTOMER USE DRAWING		REV B
			PROE ASSEM P1109-BP-GUIDE-STANDALONE-2P C942-2000-000--BP2-GUIDED.drw	1.4 3.6	
SIZE D	SCALE 3/1	SHEET 1 OF 1			

DRW NO. C942-2000-000

SH 1 REV B