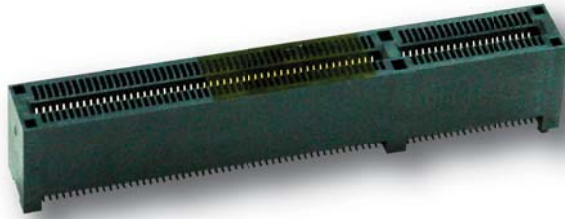
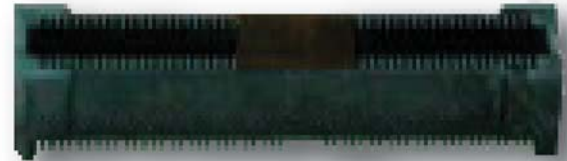


CardEdge Super (CES) ML



CardEdge Super (CES) ST



Features:

- Ensured high speed signal transmission for Card Edge application
- High density to solve PCB space limitations
- Provide greater reliability, availability and serviceability

Overview:

Amphenol Card Edge Super 25Gbps Series 0.8 mm pitch connectors are available in multiple pin count options. They are suitable for use in high-signal transmissions and high-density signal applications.

Applications:

Communications/Storage

- Wireless (WiMAX)
- Network servers
- Hubs, routers, switches
- Base stations
- External hard drives

Consumer Goods

- Security systems
- Set top boxes
- Multi-media equipment
- Video game systems

Home/Office/Retail


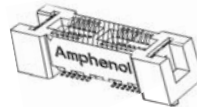
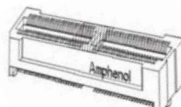
- PCs, laptops, copiers, printers
- Telephones, modems
- Surge protectors
- ATMs, vending machines
- POS terminals

Industrial/Medical

- Patient monitoring
- Automation equipment
- Industrial controls
- Water metering



Technical Characteristics:

Amphenol Part Number	Description	3D Model	Number of Positions
G639EXXX513XHR	CardEdge Super, 0.8mm Pitch, V/T SMT Type, PA9T, Black	 1-BAY 2-BAY 3-BAY	1-BAY: 200 2-BAY: 220, 118, 146 3-BAY: 174
G639FXXX5131XHR	CardEdge Super V/T SMT type, 0.8mm Pitch, LCP, Black with Metal Tab		98, 50, 26, 18
G639FXXX5110XHR	CardEdge Super V/T SMT type, 0.8mm Pitch, LCP, Black		200, 180, 160, 120, 100, 98, 80, 74, 60, 50, 40, 26, 20, 18

Product Name	25 Gbps Cardedge ML Connector	25Gbps Cardedge ST Connector
Specification	PCIe 3.0	Cardedge 25Gbps
Impedance	Differential 85Ω	Differential 100Ω
Simulation Software	CST Microwave Studio 2010	CST Microwave Studio 2010
Sweep Frequency Range	0~20GHz	0~20GHz
Sweep Points	1001	1001
Port Direction	Odd-Even	Odd-Even
Port Impedance	Single Ended 42.5	Single Ended 42.5

Common Amphenol Part Numbers	G639E14625131HR	G639F026151312HR	G639F100151102HR	G639F160251102HR	G639F180151101HR
------------------------------	-----------------	------------------	------------------	------------------	------------------

Ordering Information:

