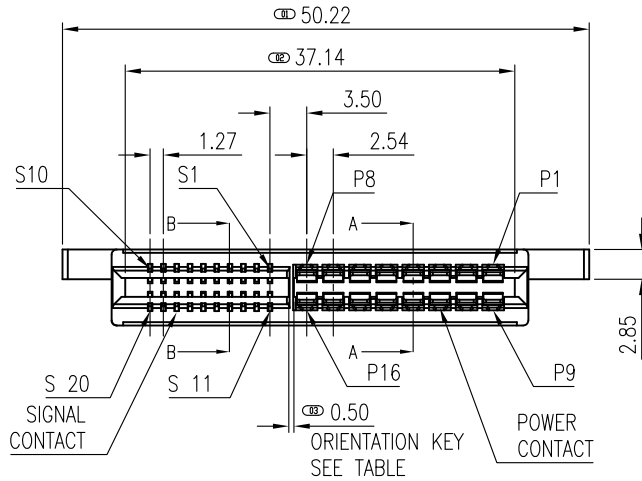


This document is the property of Amphenol Corporation and is delivered on the express condition that it is not to be disclosed, reproduced or used, in whole or in part, for manufacture or sale by anyone other than Amphenol Corporation without its prior consent, and that no right is granted to disclose or to use any information in this document.

The marking on this product doesn't contain environmental hazardous material and must follow one or more specifications per Material Specification SS-00259 for Sony GP compliant or per directive 2002/95/EC for RoHS compliant or per IEC 61249-2-21 for Halogen Free compliant.

**PRELIMINARY RELEASE
SUBJECT TO CHANGE**

REVISIONS				
SYM	ECN No.	DESCRIPTION	DATE	BY
AX5		UPDATE	08/23/2011	Chenny Yeh
AX6		UPDATE	09/08/2011	Chenny Yeh
AX7		ADD DATE CODE	10/11/2011	Chenny Yeh
AX8		UPDATE	12/27/2011	Chenny Yeh
AX9		UPDATE	02/06/2012	Chenny Yeh
AX10		UPDATE	02/08/2012	Chenny Yeh



P/N SYSTEM:

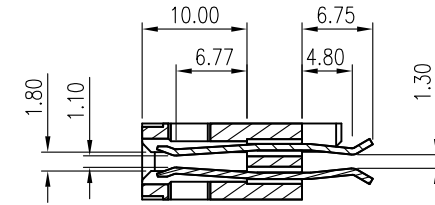
GPCE 4 X 1 6 2 0 1 X HR

CONTACT FINISH:

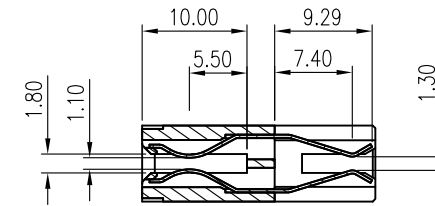
- 0: GOLD FLASH
- 1: 5u" GOLD
- 2: 10u" GOLD
- 3: 15u" GOLD
- 4: 30u" GOLD

VARIATION CODE:

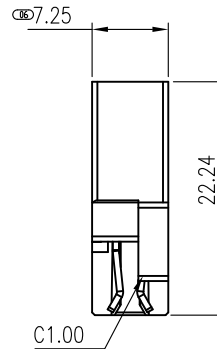
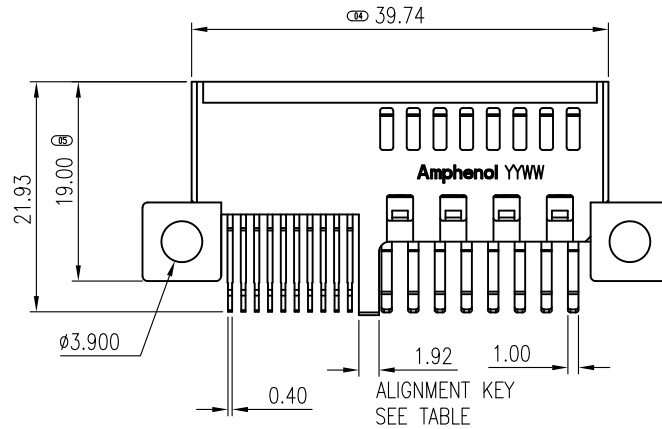
- BLANK: STANDARD
- 1: WITHOUT ORIENTATION KEY
- WITHOUT ALIGNMENT KEY
- 2: WITH ORIENTATION KEY
- WITHOUT ALIGNMENT KEY
- 3: WITHOUT ORIENTATION KEY
- WITH ALIGNMENT KEY



SECTION A-A



SECTION B-B



NOTES:

1. MATERIAL:
HOUSING: HIGH TEMPERATURE THERMO PLASTIC UL94V-0 COLOR BLACK
TERMINAL: HIGH PERFORMANCE COPPER ALLOY

2. FINISH:
TERMINAL:
CONTACT AREA: SELECTIVE GOLD PL.
SOLDERING AREA: MATT TIN PL. 120 μ" THK MIN.
UNDER PL.: NICKEL PL. 50 μ" THK MIN.

3. THIS PRODUCT DOESN'T CONTAIN ENVIRONMENTAL HAZARDOUS MATERIALS PER DIRECTIVE 2002/95/EC FOR RoHS AND PER IEC 61249-2-21 FOR HALOGEN FREE COMPLIANT.

4. THE DIMENSIONS MARKED No WILL BE CHECKED BY Q.C. AND PROCESS ENGINEERS.

TOLERANCE	DRAWN	APPROVALS	DATE	TITLE	UNIT	SCALE	SIZE	PART No.
X. X.X ±0.30 X.XX ±0.20 X.XXX ±0.10	DESIGNED			ENERGY EDGE 16P-24S RECEPTACLE,STRADDLE TYPE	mm	NA	A3	GPCE4X16201HR
	CHECKED							
ANGULAR ±2°	APPROVED				NA	1 OF 3	GPCE4X16201HR	
UNLESS OTHERWISE SPECIFIED	DWG TYPE	CUST DWG	PROJECT CODE					T522

Amphenol®

Amphenol Corporation
Amphenol Taiwan Corporation

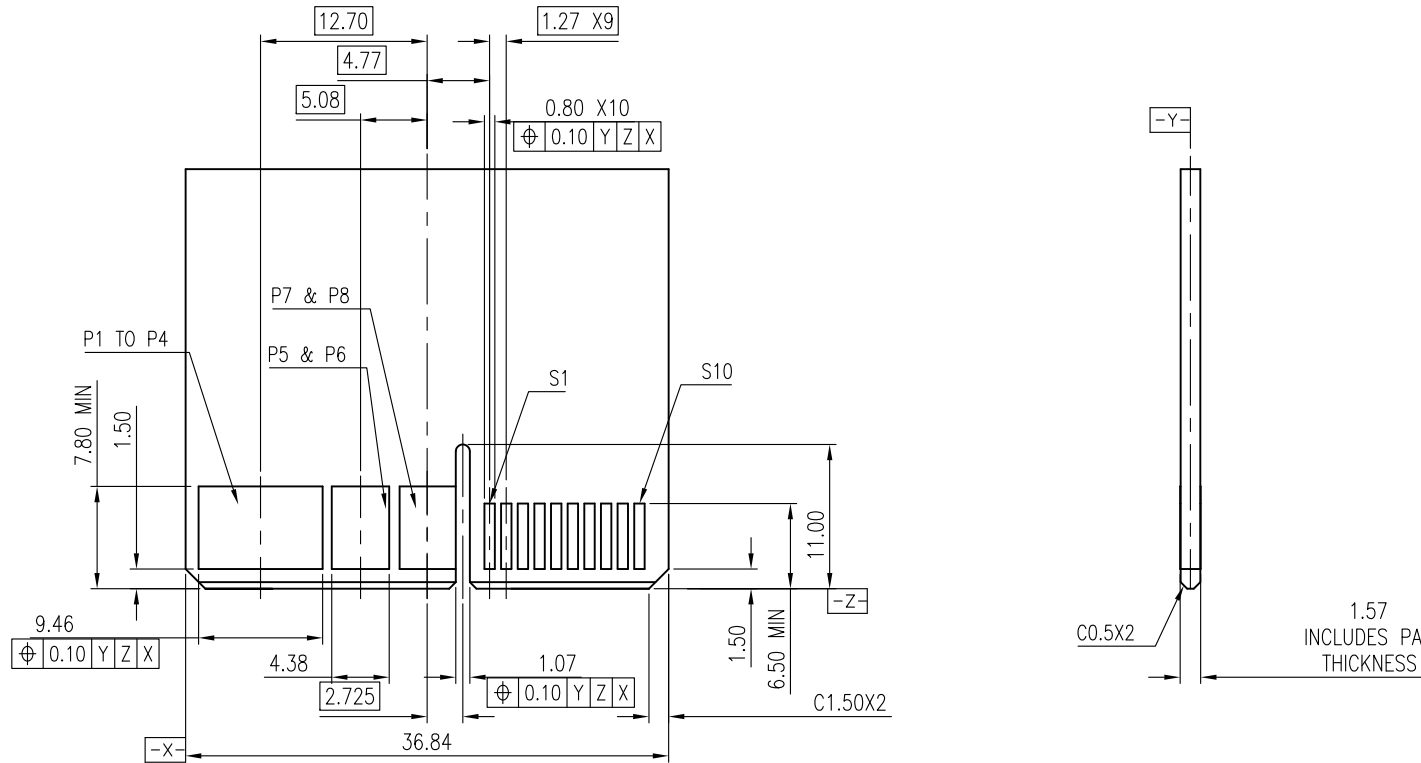
PART No. GPCE4X16201HR
DWG No. GPCE4X16201HR
REV. AX10

on the express condition that it is not to be disclosed, reproduced or used, in whole or in part, for manufacture or sale by anyone other than Amphenol Corporation without its prior consent, and that no right is granted to disclose or to use any information in this document.

The marking on this product doesn't contain environmental hazardous material and must follow one or more specifications per Material Specification SS-00259 for Sony GP compliant or per directive 2002/95/EC for RoHS compliant or per IEC 61249-2-21 for Halogen Free compliant.

**PRELIMINARY RELEASE
SUBJECT TO CHANGE**

REVISIONS				
SYM	ECN No.	DESCRIPTION	DATE	BY
AX5		UPDATE	08/23/2011	Chenny Yeh
AX6		UPDATE	09/08/2011	Chenny Yeh
AX7		ADD DATE CODE	10/11/2011	Chenny Yeh
AX8		UPDATE	12/27/2011	Chenny Yeh
AX9		UPDATE	02/06/2012	Chenny Yeh
AX10		UPDATE	02/08/2012	Chenny Yeh



RECOMMENDED MATING BOARD FOOTPRINT

<p>TOLERANCE</p> <p>X. ±0.30</p> <p>X.X ±0.20</p> <p>X.XX ±0.10</p> <p>ANGULAR ±2°</p> <p>UNLESS OTHERWISE SPECIFIED</p>	<p>DRAWN</p> <p>DESIGNED</p>	<p>APPROVALS</p>	<p>DATE</p>	<p>TITLE</p> <p>ENERGY EDGE 16P-24S RECEPTACLE,STRADDLE TYPE</p>	<p>UNIT mm</p> <p>SCALE NA</p>	<p>SIZE A3</p> <p>SHEET 2 OF 3</p>	<p>Amphenol®</p> <p>Amphenol Corporation</p> <p>Amphenol Taiwan Corporation</p>	
	<p>CHECKED</p>	<p>APPROVED</p>	<p>PROJECT CODE T522</p>				<p>PART No.</p> <p>GPCE4X16201HR</p>	
	<p>DWG TYPE CUST DWG</p>	<p>APPROVED</p>	<p>PROJECT CODE T522</p>				<p>DWG No.</p> <p>GPCE4X16201HR</p>	
	<p>APPROVED</p>	<p>REV.</p> <p>AX10</p>	<p>PROJECT CODE T522</p>				<p>DWG No.</p> <p>GPCE4X16201HR</p>	

