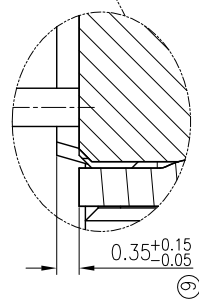
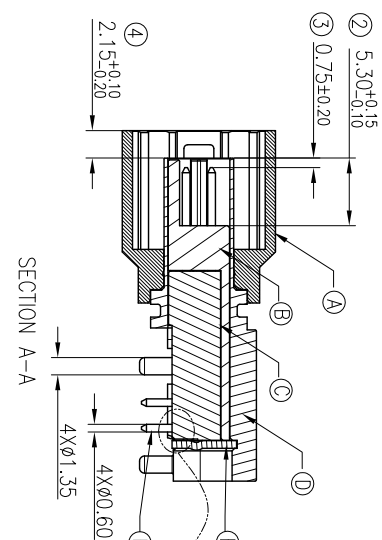
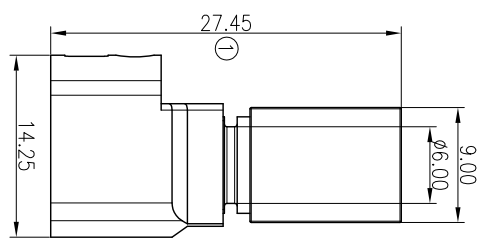
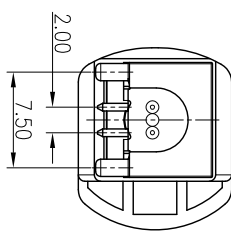
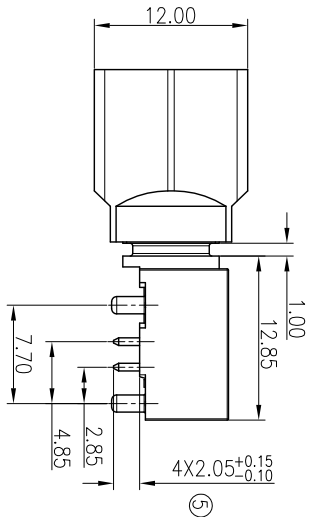
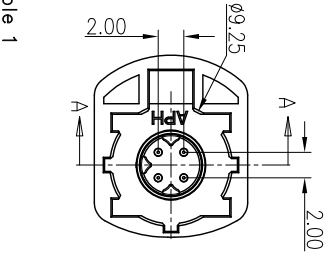
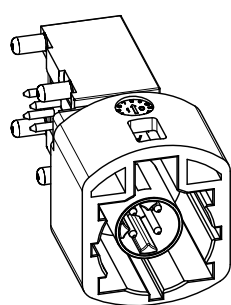


This document is the property of Amphenol Corporation and is intended for the express condition that it is not to be disclosed, reproduced or used, in whole or in part, for manufacture or sale by anyone other than Amphenol Corporation. Any use of this document for any other purpose is strictly prohibited or to use any information in this document.



Scale 5:1



- Notes:
- Material:
 - Ⓐ Housing: High temperature thermoplastic,color see table 1.
 - Ⓑ Dielectric: High temperature thermoplastic,color black.
 - Ⓒ Outer contact : Zinc alloy.
 - Ⓓ Cover: Stainless Steel.
 - Ⓔ Contact: Copper alloy.
 - Finish:
 - Ⓕ Center contact: Gold plated overall.
 - Ⓖ Outer contact : Solderable Ni plated.
 - RoHS compliant.
 - Order P/N system:

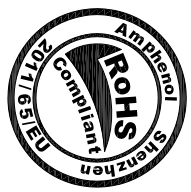
HSD-WXRP-PCB-12X

Coding: _____ Packing method:
 See table 1 A- Packing by tape & reel
 B- Packing by tray
 C- Single Packing

Table 1

Plug	Coding	Color	Ral
	A	Black	9005
	B	White	9001
	C	Blue	5005
	D	Claret	4004
	E	Green	6002
	F	Brown	8011
	Z	Waterblue	5021

Plug	Coding	Color	Ral
	G	Grey	7031
	H	Violet	4003
	J	Beige	1001
	K	Curry	1027
	L	Yellow green	6018
	M	Pastel orange	2003
	O	Light green	6027



MANUFACTURE DRAWING

Amphenol

UNLESS OTHERWISE SPECIFIED		APPROVAL		DATE	
TOLERANCES		DRAWN	Kedai Yang	01/15/13	
U.S.	METRIC	CHECKED	Dam He	01/15/13	
X +/-	0.50	DRAWING FILE			
.XX +/-	0.25	HSD R/A LOWER PROFILE PLUG CONNECTOR			
.XXX +/-	0.20	WEST LOCATION			
FRACTIONS +/-	5°	ANGLE OF PROJECTION			
FOR MATERIALS AND FINISHES SEE NOTES REMOVE SHARP EDGES					
DIMENSIONS		U.S. INCHES		MM	
SCALE		1:1		SHEET 1 OF 1	
SIZE		A4		REV. B	
DRAWING NO.		M HSD-WXRP-PCB-12X			

REVISIONS				
SYM	ECN	DESCRIPTION	DATE	APPROVED
A	HK7019	RELEASE TO MANUFACTURE	12/10/13	IP
B	HK7032	ADD A DIMENSION FOR LID(6#)	01/15/14	IP