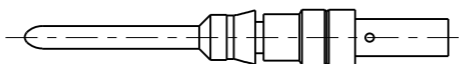
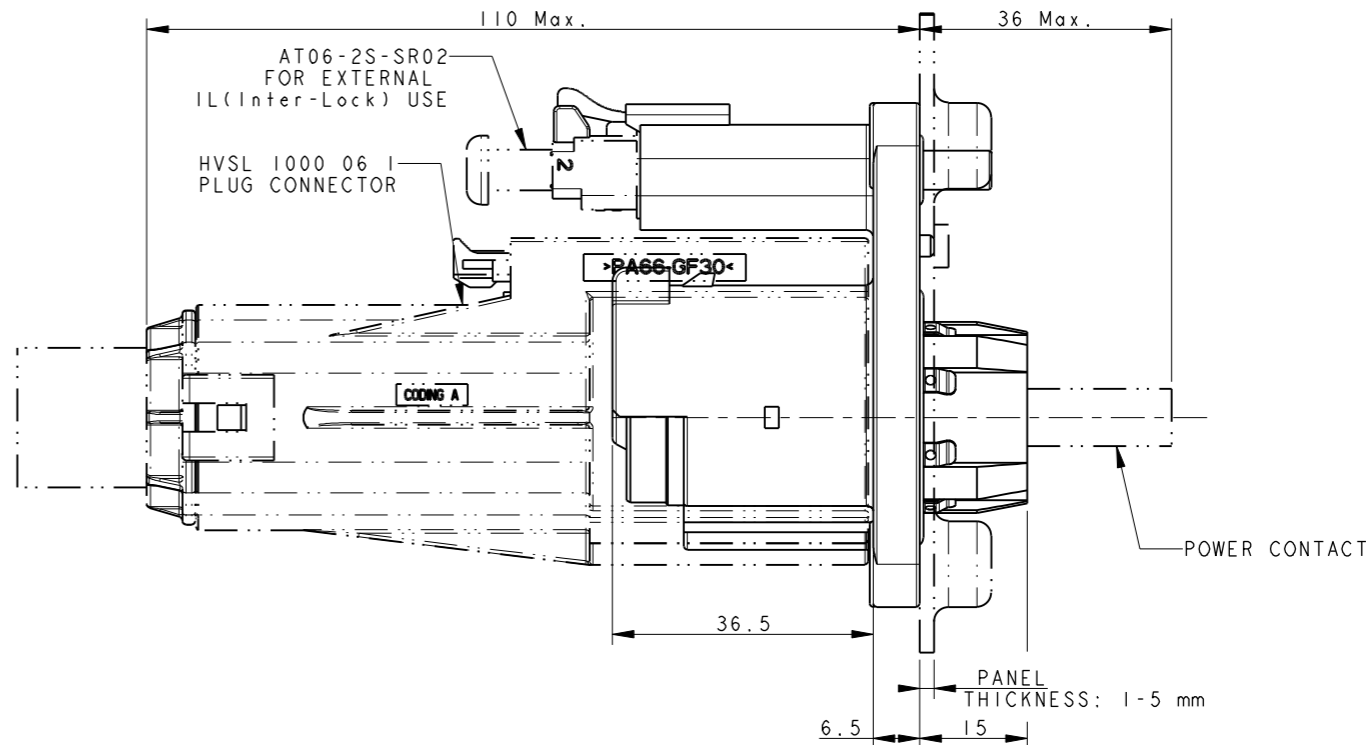
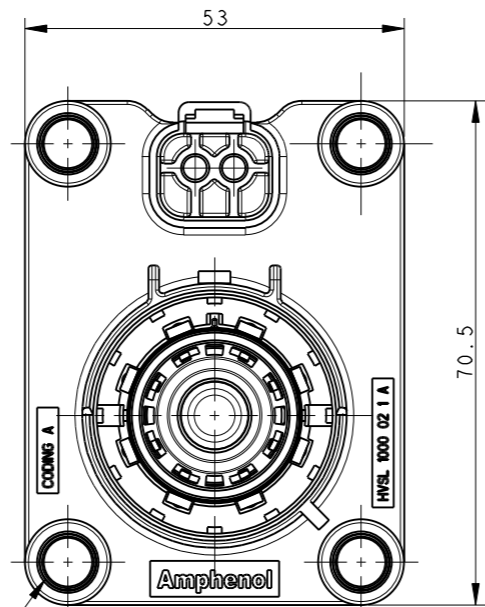
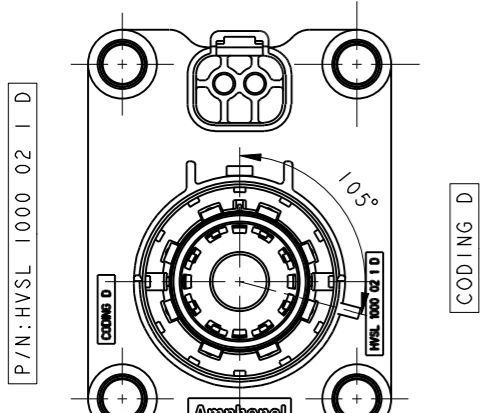
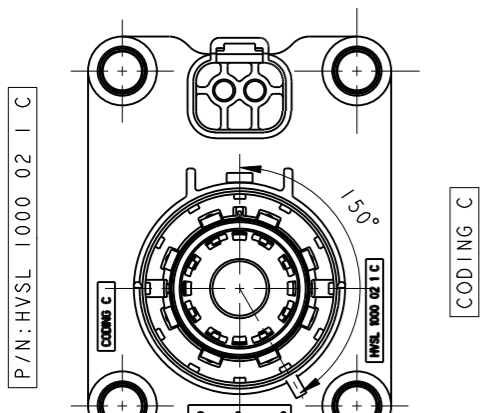
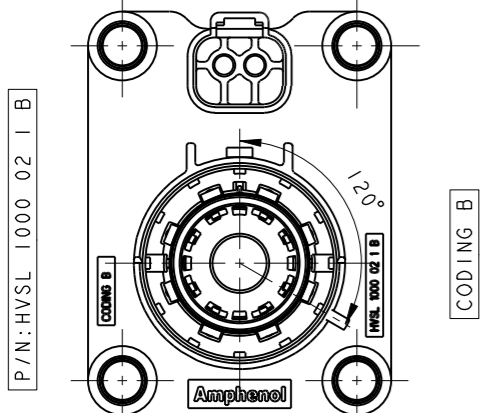
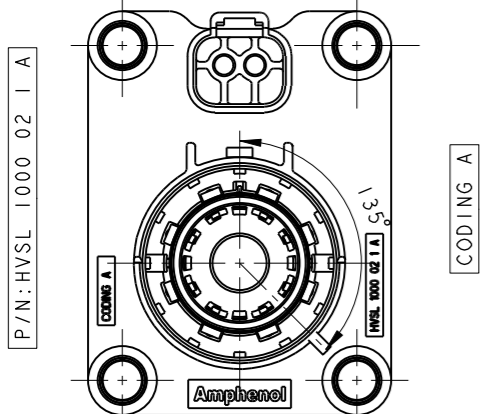


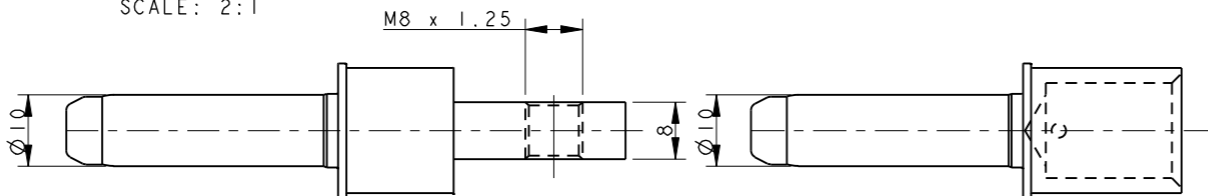
REV	ECN	DESCRIPTION	DATE	MODIFIED
1		PRE-RELEASE	19/03/13	Eric Zhou
2		CHANGED THE POWER CONTACT	23/10/13	Eric Zhou
3		ADD WIRE DIAMETER	15/09/15	Robin Yuan

CUSTOMER DRAWING

SCALE 4:5



CONTACTS FOR IL (INTER-LOCK) USE
(0.5 mm² MAX. WIRE)
P/N: C42000400504G
SCALE: 2:1



POWER CONTACT (THREAD FOR BUS-BAR)
P/N: C4200036152

POWER CONTACT (CRIMP FOR WIRE)
P/N: C42000361511 --70 mm² WIRE OD=19.0 ± 0.7MM
C42000361512 --50 mm² WIRE OD=16.5 ± 0.4MM
C42000361513 --35 mm² WIRE OD=14.2 ± 0.4MM
C42000361514 --25 mm² WIRE OD=11.9 ± 0.3MM

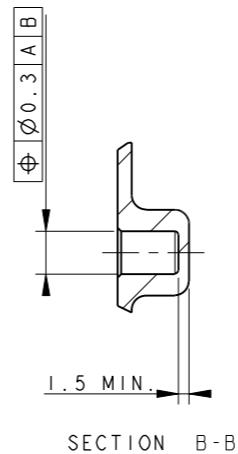
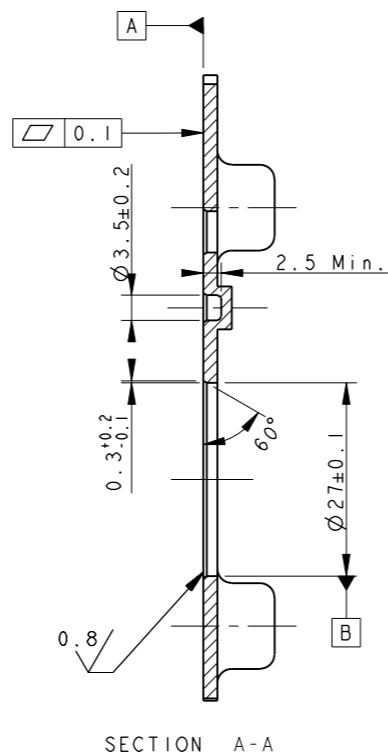
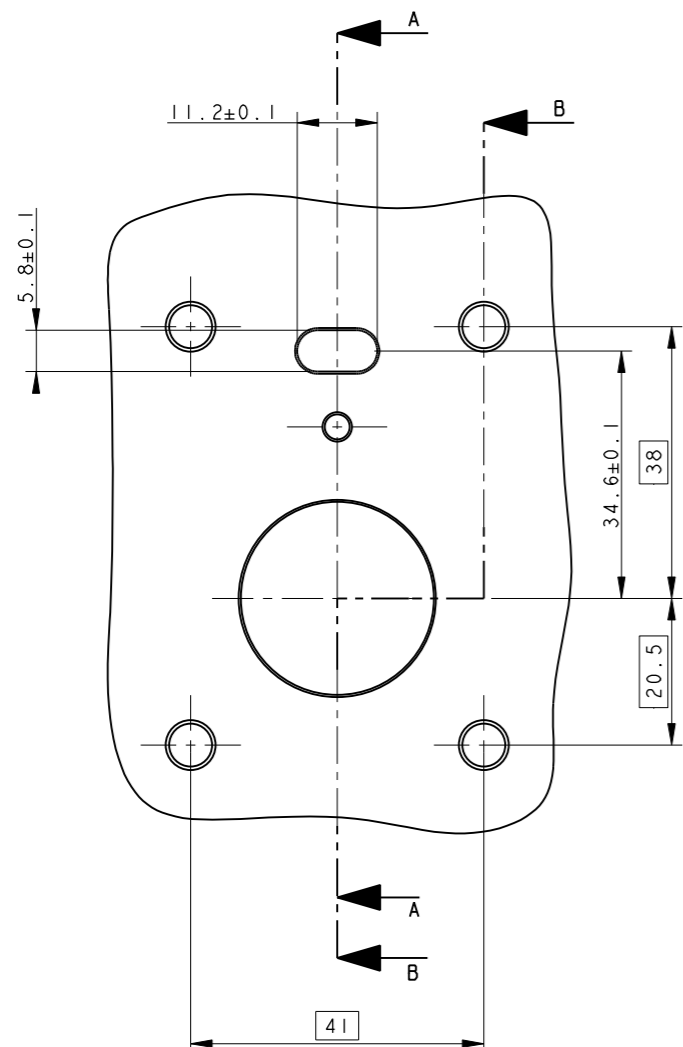
NOTES:

- MATERIAL & FINISH:
PLASTIC BODY: THERMOPLASTICS UL 94V-0 ORANGE COLOR
POWER CONTACT: COPPER ALLOY SILVER PLATED
IL CONTACTS: COPPER ALLOY GOLD PLATED
SHIELDING: COPPER ALLOY TIN PLATED
RING: STAINLESS STEEL
O-RING: SILICONE RUBBER
- ELECTRONICAL CHARACTERISTICS:
HIGH VOLTAGE RATED 1000 V DC MAX.
CURRENT RATED 250 A MAX.
WITHSTANDING VOLTAGE 3000 V AC
PRODUCTS ARE COMPLIANCE WITH EN 60664-1 POLLUTION II
- ENVIRONMENT CHARACTERISTICS:
IP67 IP6K9K RATED (WHEN MATING)
IP2XB RATED FOR FINGER TOUCH-PROOF
- DELIVERY WITHOUT CONTACTS. THE CONTACTS SHOULD BE ORDERED SEPARATELY.
- SEE APCD-TD-049 FOR ASSEMBLY INSTRUCTION AND EXTERNAL HVIL SET-UP.

DIMENSIONS	TOLERANCES	PROJECTION	TITLE		
ANSI Y14.5M UNITS: MM Pro/E FILE	X ±0.1 .XX ±0.01 ANGLES ±0.5°		Amphenol Pcd Shenzhen		
ORIGINAL NOT FOR CUSTOMER DISTRIBUTION	THIS DOCUMENT CONTAINS PROPRIETARY INFORMATION WHICH IS THE CONFIDENTIAL PROPERTY OF AMPHENOL PCD SHENZHEN		ENGR Robin Yuan	15/09/15	HVSL 1000 02 1 X BOX MOUNTING RECEPTACLE ASSEMBLY
			CHKD		SIZE A3
			APPD		DWG NO. C-HVSL1000021X
					REV 3
				CODE: 58982	SCALE: 1:1
					SHEET 1 OF 2

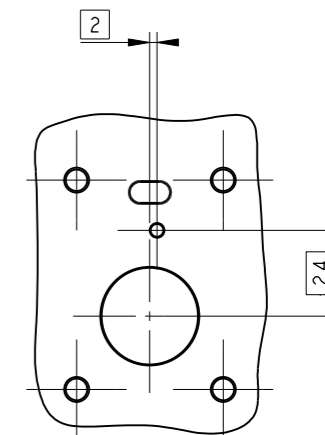
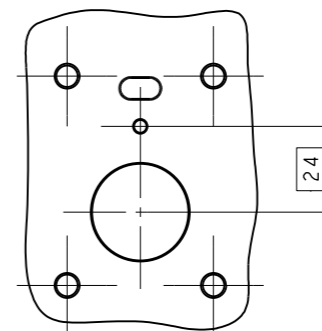
C-HVSL1000021X

C-HVSL1000021X



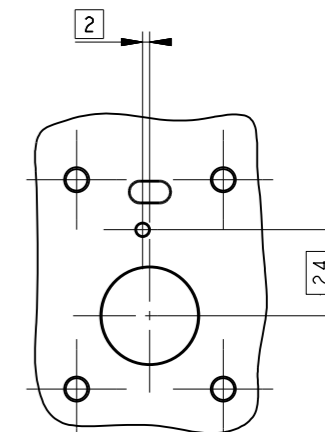
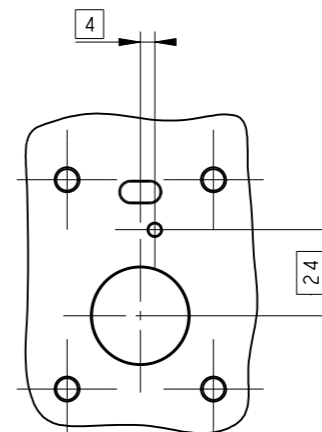
CODING A

CODING B



CODING C

CODING D



PANEL DRILLING

SIZE	DWG NO.	REV
A3	C-HVSL1000021X	3
CODE: 58982	SCALE: 1:1	SHEET 2 OF 2