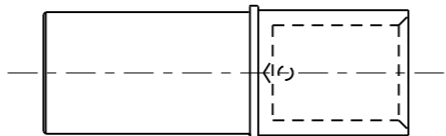
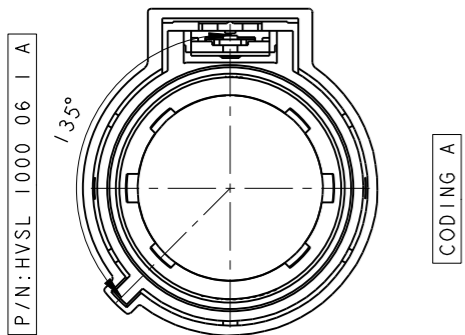
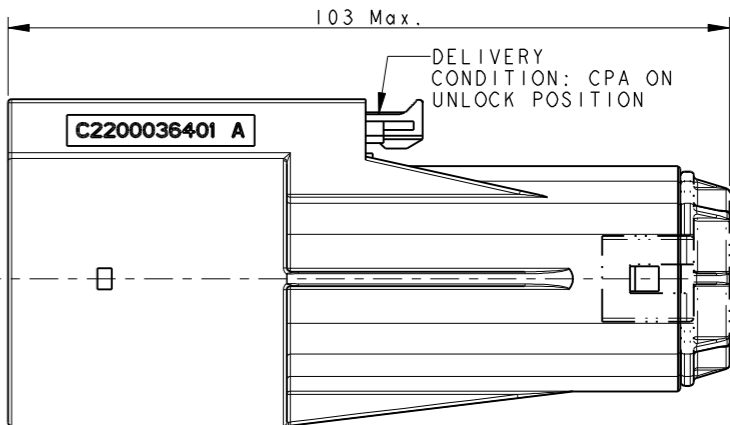
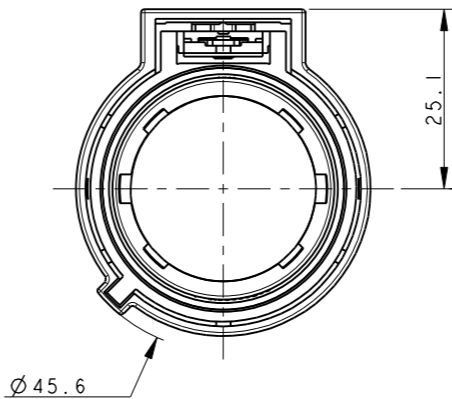
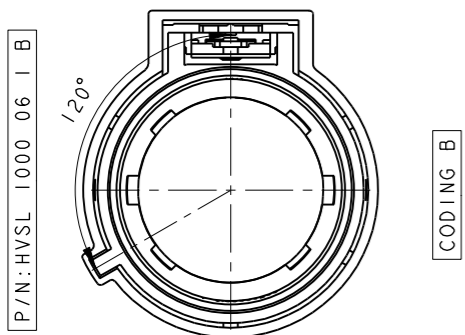


REV	ECN	DESCRIPTION	DATE	MODIFIED
1		PRE-RELEASE	20/03/13	Eric Zhou
2		ADD WIRE DIAMETER	15/09/15	Robin Yuan

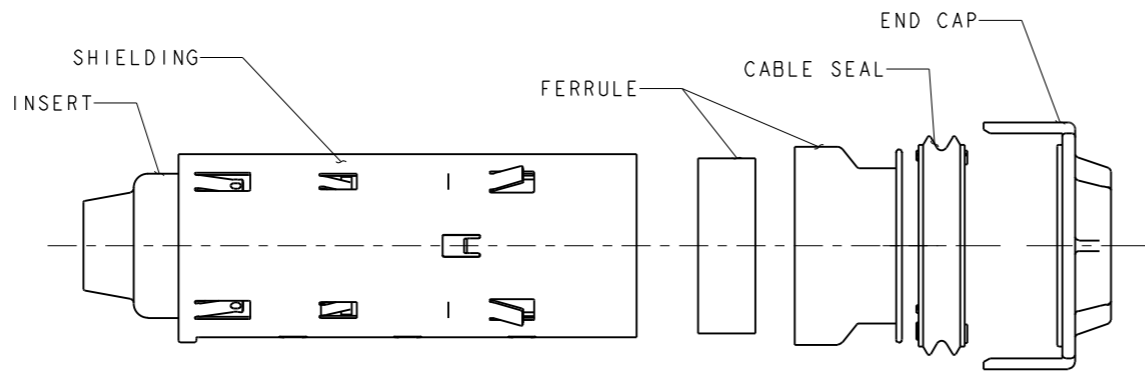
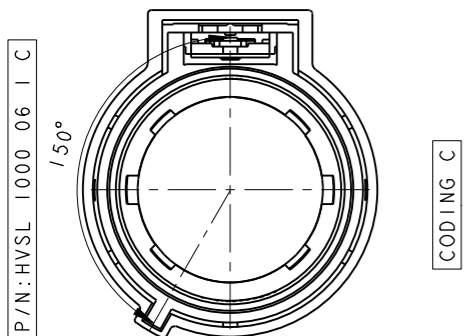
CUSTOMER DRAWING



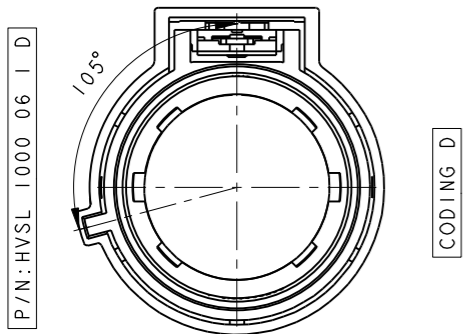
SOCKET CONTACT
 P/N: C4200036161 -- 70 mm² WIRE
 C4200036162 -- 50 mm² WIRE
 C4200036163 -- 35 mm² WIRE



HVSL 1000 06 1 X



KIT OF SOCKET INSERT
 P/N: C4220036011 -- 70 mm² WIRE OD=19.0 ± 0.7MM
 C4220036012 -- 50 mm² WIRE OD=16.5 ± 0.4MM
 C4220036013 -- 35 mm² WIRE OD=14.2 ± 0.4MM
 C4220036014 -- 25 mm² WIRE OD=11.9 ± 0.3MM



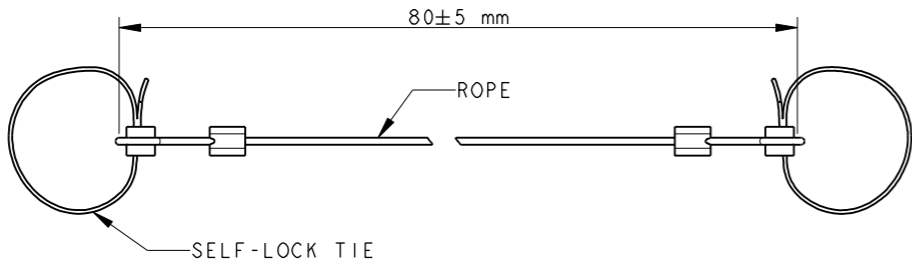
NOTES:

- MATERIAL & FINISH:
 PLASTIC BODY: THERMOPLASTICS UL 94V-0 ORANGE COLOR
 SOCKET CONTACT: COPPER ALLOY SILVER PLATED
 SHIELDING: COPPER ALLOY TIN PLATED
 FERRULE: STAINLESS STEEL
 CABLE SEAL: SILICONE RUBBER
- ELECTRONICAL CHARACTERISTICS:
 HIGH VOLTAGE RATED 1000 V DC MAX.
 CURRENT RATED 250 A MAX.
 WITHSTANDING VOLTAGE 3000 V AC
 PRODUCTS ARE COMPLIANCE WITH EN 60664-1 POLLUTION II
- ENVIRONMENT CHARACTERISTICS:
 IP67 IP6K9K RATED (WHEN MATING)
 IP2XB RATED FOR FINGER TOUCH-PROOF
- DELIVERY WITHOUT CONTACTS. THE CONTACTS SHOULD BE ORDERED SEPARATELY.
- SEE APCD-TD-049 FOR ASSEMBLY INSTRUCTION AND EXTERNAL HVIL SET-UP.

DIMENSIONS ANSI Y14.5M UNITS: MM Pro/E FILE	TOLERANCES XX ±0.5 XX ±0.20 ANGLES ±0.5°	PROJECTION 	Amphenol Pcd Shenzhen		TITLE HVSL 1000 06 1 X PLUG ASSEMBLY		
			ENGR Robin Yuan	15/09/15	SIZE A3	DWG NO. C-HVSL1000061X	REV 2
ORIGINAL NOT FOR CUSTOMER DISTRIBUTION	THIS DOCUMENT CONTAINS PROPRIETARY INFORMATION WHICH IS THE CONFIDENTIAL PROPERTY OF AMPHENOL PCD SHENZHEN		CHKD	APPD	CODE: 58982	SCALE: 1:1	SHEET 1 OF 2

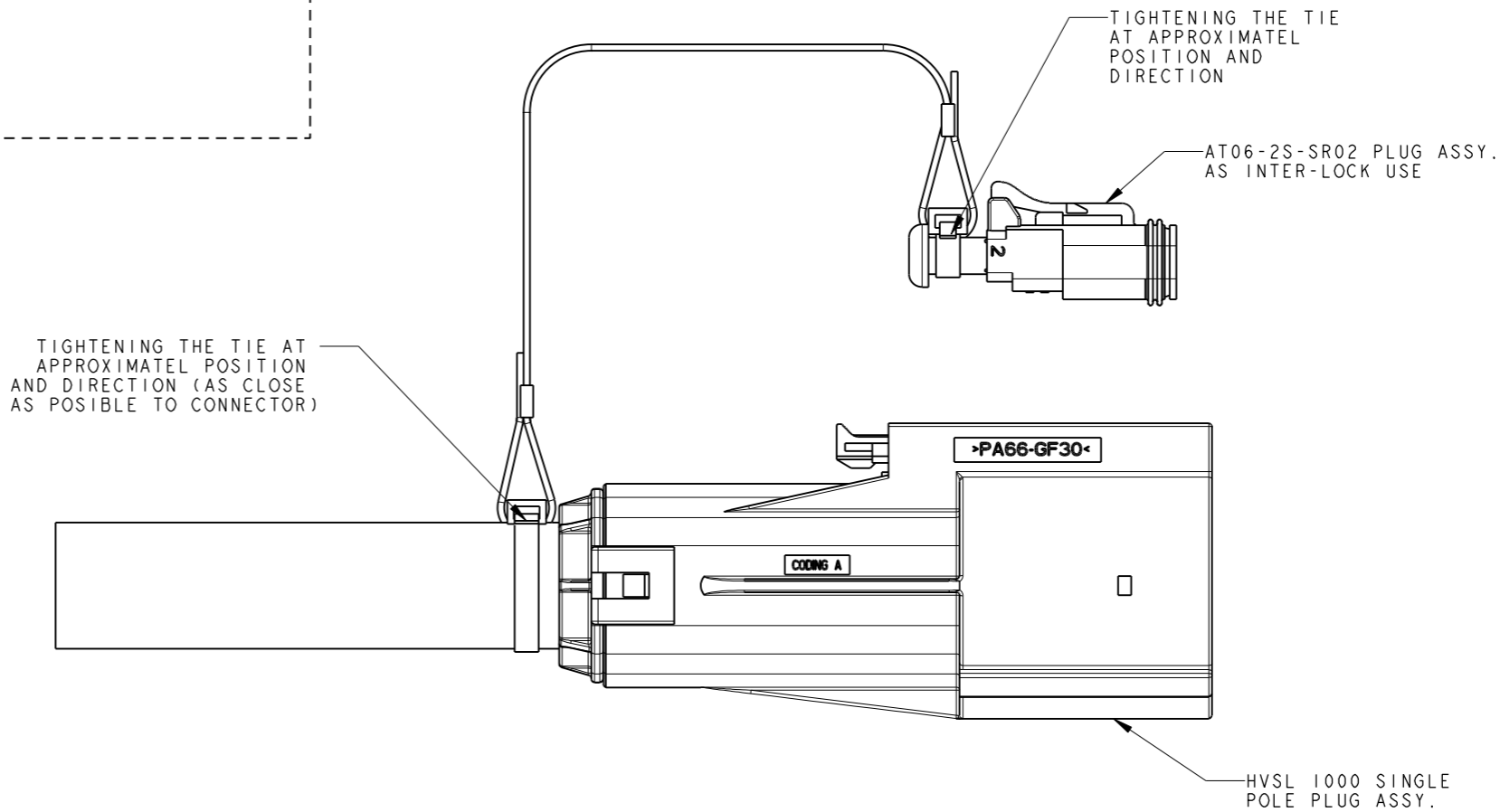
C-HVSL1000061X

C-HVSL1000061X



ATTACHEMENT ROPE
FOR AT06-2S-SR02 PLUG
P/N: C210003608

HOW TO SET-UP EXTERNAL INTER-LOCK



AT06-2S AS INTER-LOCK USE
ATTACHMENT VIEW

C-HVSL1000061X

C-HVSL1000061X

SIZE	DWG NO.	REV
A3	C-HVSL1000061X	2
CODE: 58982	SCALE: 1:1	SHEET 2 OF 2