

# NON-ENVIRONMENTAL EMI / RFI BACKSHELL



360-degree screen termination facility is offered in this Backshell in addition to other features of the Non-Environmental type. Available in straight, 90 degree bent and 45 degree bent varieties, it accommodates both individual and overall shielding.

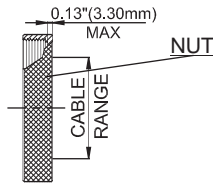
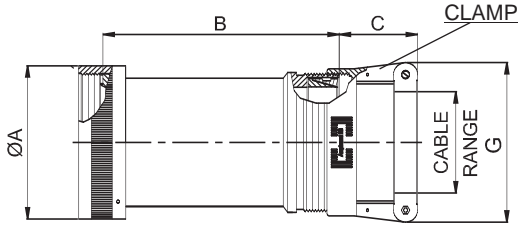
| For Connector Group |   | Page No.        |
|---------------------|---|-----------------|
| J                   | → | III-1 - III-7   |
| K                   | → | III-8 - III-12  |
| L                   | → | III-13 - III-17 |
| M                   | → | III-18 - III-23 |
| N                   | → | III-24 - III-29 |

**Note:** For Connector group Identification refer Table 1 - A, B, C, D (Page 7-11) and for Material / Plating Finish, Refer Table-2 (Page 12)

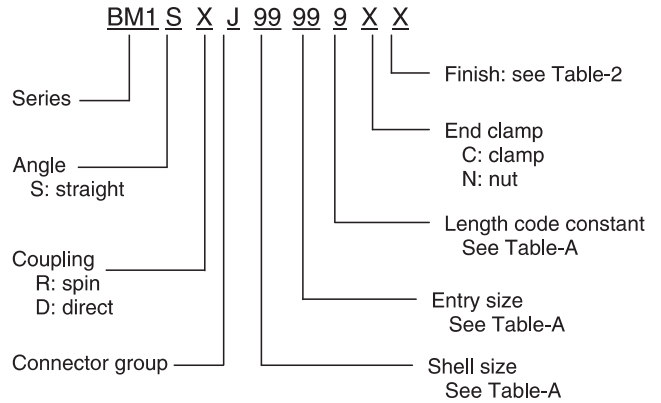


### Connector Group - J

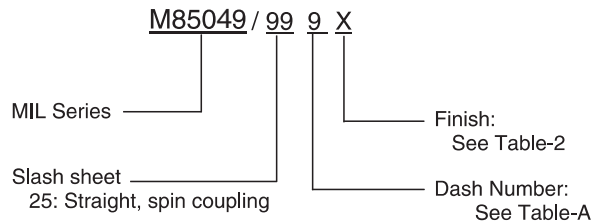
### Straight



#### Amphenol Part Number



#### MIL Part Number



**NOTE:** \* For more cable entry and length options, contact factory

| TABLE - A                       |            |        |                            |                      |              |       |         |       |         |       |         |       |             |       |      |       |       |       |      |       |       |
|---------------------------------|------------|--------|----------------------------|----------------------|--------------|-------|---------|-------|---------|-------|---------|-------|-------------|-------|------|-------|-------|-------|------|-------|-------|
| AMPHENOL PART NUMBER DESIGNATOR |            |        | MIL PART NUMBER DESIGNATOR | CONNECTOR SHELL SIZE | A DIA. (MAX) |       | B (MAX) |       | C (REF) |       | G (MAX) |       | CABLE RANGE |       |      |       |       |       |      |       |       |
| SHELL SIZE                      | ENTRY SIZE | LENGTH | DASH NO                    |                      | INCH         | MM    | INCH    | MM    | INCH    | MM    | INCH    | MM    | MIN         |       |      |       | MAX   |       |      |       |       |
|                                 |            |        |                            |                      |              |       |         |       |         |       |         |       | INCH        | MM    | INCH | MM    | INCH  | MM    | INCH | MM    |       |
| 08                              | 01         | 1      | 5                          | 8                    | 0.62         | 15.67 | 2.13    | 54.10 | 1.03    | 26.09 | 0.96    | 24.31 | 0.13        | 3.18  | 0.25 | 6.35  | 0.13  | 3.18  | 0.25 | 6.35  |       |
|                                 |            | 2      | 6                          |                      | 0.62         | 15.67 | 3.13    | 79.50 | 1.03    | 26.09 | 0.96    | 24.31 | 0.13        | 3.18  | 0.25 | 6.35  | 0.13  | 3.18  | 0.25 | 6.35  |       |
|                                 | 02         | 1      | 7*                         |                      | 0.62         | 15.67 | 2.88    | 73.15 | 1.03    | 26.09 | 1.15    | 29.08 | 0.25        | 6.35  | 0.44 | 11.10 | 0.25  | 6.35  | 0.44 | 11.10 |       |
|                                 |            | 2      | 8*                         |                      | 0.62         | 15.67 | 3.88    | 98.55 | 1.03    | 26.09 | 1.15    | 29.08 | 0.25        | 6.35  | 0.44 | 11.10 | 0.25  | 6.35  | 0.44 | 11.10 |       |
| 10                              | 01         | 1      | 9                          | 10                   | 0.73         | 18.64 | 2.13    | 54.10 | 1.03    | 26.09 | 0.96    | 24.31 | 0.13        | 3.18  | 0.31 | 7.92  | 0.13  | 3.18  | 0.31 | 7.92  |       |
|                                 |            | 2      | 10                         |                      | 0.73         | 18.64 | 3.13    | 79.50 | 1.03    | 26.09 | 0.96    | 24.31 | 0.13        | 3.18  | 0.31 | 7.92  | 0.13  | 3.18  | 0.31 | 7.92  |       |
|                                 | 02         | 1      | 11*                        |                      | 0.73         | 18.64 | 2.88    | 73.15 | 1.03    | 26.09 | 1.15    | 29.08 | 0.25        | 6.35  | 0.44 | 11.10 | 0.25  | 6.35  | 0.44 | 11.10 |       |
|                                 |            | 2      | 12*                        |                      | 0.73         | 18.64 | 3.88    | 98.55 | 1.03    | 26.09 | 1.15    | 29.08 | 0.25        | 6.35  | 0.44 | 11.10 | 0.25  | 6.35  | 0.44 | 11.10 |       |
|                                 | 03         | 1      | 136                        |                      | 0.73         | 18.64 | 2.13    | 54.10 | 1.03    | 26.09 | 1.15    | 29.08 | 0.25        | 6.35  | 0.38 | 9.53  | 0.25  | 6.35  | 0.38 | 9.53  |       |
|                                 |            | 2      | 137                        |                      | 0.73         | 18.64 | 3.13    | 79.50 | 1.03    | 26.09 | 1.15    | 29.08 | 0.25        | 6.35  | 0.38 | 9.53  | 0.25  | 6.35  | 0.38 | 9.53  |       |
|                                 |            | 04     | 1                          |                      | 114          | 0.86  | 21.79   | 2.13  | 54.10   | 1.03  | 26.09   | 1.15  | 29.08       | 0.25  | 6.35 | 0.44  | 11.10 | 0.25  | 6.35 | 0.44  | 11.10 |
|                                 |            |        | 2                          |                      | 115          | 0.86  | 21.79   | 3.13  | 79.50   | 1.03  | 26.09   | 0.96  | 24.31       | 0.13  | 3.18 | 0.31  | 7.92  | 0.13  | 3.18 | 0.31  | 7.92  |
| 12                              | 01         | 1      | 13                         | 7/12                 | 0.86         | 21.79 | 2.13    | 54.10 | 1.03    | 26.09 | 1.15    | 29.08 | 0.25        | 6.35  | 0.44 | 11.10 | 0.25  | 6.35  | 0.44 | 11.10 |       |
|                                 |            | 2      | 14                         |                      | 0.86         | 21.79 | 3.13    | 79.50 | 1.03    | 26.09 | 1.15    | 29.08 | 0.25        | 6.35  | 0.44 | 11.10 | 0.25  | 6.35  | 0.44 | 11.10 |       |
|                                 | 02         | 1      | 15*                        |                      | 0.86         | 21.79 | 2.88    | 73.15 | 1.03    | 26.09 | 1.33    | 33.83 | 0.35        | 8.89  | 0.63 | 15.88 | 0.35  | 8.89  | 0.63 | 15.88 |       |
|                                 |            | 2      | 16*                        |                      | 0.86         | 21.79 | 3.88    | 98.55 | 1.03    | 26.09 | 1.33    | 33.83 | 0.35        | 8.89  | 0.63 | 15.88 | 0.35  | 8.89  | 0.63 | 15.88 |       |
|                                 | 03         | 1      | 111                        |                      | 0.86         | 21.79 | 2.13    | 54.10 | 1.03    | 26.09 | 1.33    | 33.83 | 0.35        | 8.89  | 0.50 | 12.70 | 0.35  | 8.89  | 0.50 | 12.70 |       |
|                                 |            | 2      | 112                        |                      | 0.86         | 21.79 | 3.13    | 79.50 | 1.03    | 26.09 | 0.96    | 24.31 | 0.13        | 3.18  | 0.31 | 7.92  | 0.13  | 3.18  | 0.31 | 7.92  |       |
|                                 |            | 04     | 1                          |                      | 114          | 0.86  | 21.79   | 2.13  | 54.10   | 1.03  | 26.09   | 0.96  | 24.31       | 0.13  | 3.18 | 0.31  | 7.92  | 0.13  | 3.18 | 0.31  | 7.92  |
|                                 |            |        | 2                          |                      | 115          | 0.86  | 21.79   | 3.13  | 79.50   | 1.03  | 26.09   | 0.96  | 24.31       | 0.13  | 3.18 | 0.31  | 7.92  | 0.13  | 3.18 | 0.31  | 7.92  |
| 14                              | 01         | 1      | 17                         | 12/14                | 0.98         | 24.99 | 2.13    | 54.10 | 1.03    | 26.09 | 1.33    | 33.83 | 0.35        | 8.89  | 0.58 | 14.61 | 0.35  | 8.89  | 0.58 | 14.61 |       |
|                                 |            | 2      | 18                         |                      | 0.98         | 24.99 | 3.13    | 79.50 | 1.03    | 26.09 | 1.33    | 33.83 | 0.35        | 8.89  | 0.58 | 14.61 | 0.35  | 8.89  | 0.58 | 14.61 |       |
|                                 | 02         | 1      | 19*                        |                      | 0.98         | 24.99 | 2.88    | 73.15 | 1.06    | 26.90 | 1.55    | 39.40 | 0.50        | 12.70 | 0.75 | 19.05 | 0.50  | 12.70 | 0.75 | 19.05 |       |
|                                 |            | 2      | 20*                        |                      | 0.98         | 24.99 | 3.88    | 98.55 | 1.06    | 26.90 | 1.55    | 39.40 | 0.50        | 12.70 | 0.75 | 19.05 | 0.50  | 12.70 | 0.75 | 19.05 |       |
|                                 | 03         | 1      | 116                        |                      | 0.98         | 24.99 | 2.13    | 54.10 | 1.03    | 26.09 | 1.15    | 29.08 | 0.25        | 6.35  | 0.44 | 11.10 | 0.25  | 6.35  | 0.44 | 11.10 |       |
|                                 |            | 2      | 117                        |                      | 0.98         | 24.99 | 3.13    | 79.50 | 1.03    | 26.09 | 1.15    | 29.08 | 0.25        | 6.35  | 0.44 | 11.10 | 0.25  | 6.35  | 0.44 | 11.10 |       |
|                                 |            | 04     | 1                          |                      | 150          | 0.98  | 24.99   | 2.13  | 54.10   | 1.03  | 26.09   | 0.96  | 24.31       | 0.13  | 3.18 | 0.31  | 7.92  | 0.13  | 3.18 | 0.31  | 7.92  |
|                                 |            |        | 2                          |                      | 151          | 0.98  | 24.99   | 3.13  | 79.50   | 1.03  | 26.09   | 0.96  | 24.31       | 0.13  | 3.18 | 0.31  | 7.92  | 0.13  | 3.18 | 0.31  | 7.92  |

Table Continued

### Connector Group - J

### Straight

**TABLE - A**

| AMPHENOL PART NUMBER DESIGNATOR |            |        | MIL PART NUMBER DESIGNATOR | CONNECTOR SHELL SIZE | A DIA. (MAX) |        | B (MAX) |        | C (REF) |        | G (MAX) |       | CABLE RANGE |       |      |       |      |       |
|---------------------------------|------------|--------|----------------------------|----------------------|--------------|--------|---------|--------|---------|--------|---------|-------|-------------|-------|------|-------|------|-------|
| SHELL SIZE                      | ENTRY SIZE | LENGTH | DASH NO                    |                      | INCH         | MM     | INCH    | MM     | INCH    | MM     | INCH    | MM    | MIN         |       | MAX  |       |      |       |
|                                 |            |        |                            |                      |              |        |         |        |         |        |         |       | INCH        | MM    | INCH | MM    | INCH | MM    |
| 16                              | 01         | 1      | 21                         | 19/16                | 1.11         | 28.24  | 2.13    | 54.10  | 1.06    | 26.90  | 1.55    | 39.40 | 0.50        | 12.70 | 0.70 | 17.78 |      |       |
|                                 |            | 2      | 22                         |                      | 1.11         | 28.24  | 3.13    | 79.50  | 1.06    | 26.90  | 1.55    | 39.40 | 0.50        | 12.70 | 0.70 | 17.78 |      |       |
|                                 | 02         | 1      | 23*                        |                      | 1.11         | 28.24  | 2.88    | 73.15  | 1.16    | 29.36  | 1.77    | 44.96 | 0.63        | 15.88 | 0.94 | 23.80 |      |       |
|                                 |            | 2      | 24*                        |                      | 1.11         | 28.24  | 3.88    | 98.55  | 1.16    | 29.36  | 1.77    | 44.96 | 0.63        | 15.88 | 0.94 | 23.80 |      |       |
|                                 | 03         | 1      | 112                        |                      | 1.11         | 28.24  | 2.13    | 54.10  | 1.03    | 26.09  | 1.15    | 29.08 | 0.25        | 6.35  | 0.44 | 11.10 |      |       |
|                                 |            | 2      | 113                        |                      | 1.11         | 28.24  | 3.13    | 79.50  | 1.03    | 26.09  | 1.15    | 29.08 | 0.25        | 6.35  | 0.44 | 11.10 |      |       |
|                                 | 04         | 1      | 118                        |                      | 1.11         | 28.24  | 2.13    | 54.10  | 1.03    | 26.09  | 1.33    | 33.83 | 0.35        | 8.89  | 0.63 | 15.88 |      |       |
|                                 |            | 2      | 119                        |                      | 1.11         | 28.24  | 3.13    | 79.50  | 1.03    | 26.09  | 1.33    | 33.83 | 0.35        | 8.89  | 0.63 | 15.88 |      |       |
|                                 | 05         | 1      | 152                        |                      | 1.11         | 28.24  | 2.13    | 54.10  | 1.03    | 26.09  | 0.96    | 24.31 | 0.13        | 3.18  | 0.31 | 7.92  |      |       |
|                                 |            | 2      | 153                        |                      | 1.11         | 28.24  | 3.13    | 79.50  | 1.03    | 26.09  | 0.96    | 24.31 | 0.13        | 3.18  | 0.31 | 7.92  |      |       |
|                                 | 18         | 01     | 1                          |                      | 25           | 27/18  | 1.22    | 30.94  | 2.13    | 54.10  | 1.03    | 26.09 | 1.33        | 33.83 | 0.35 | 8.89  | 0.63 | 15.88 |
|                                 |            |        | 2                          |                      | 26           |        | 1.22    | 30.94  | 3.13    | 79.50  | 1.03    | 26.09 | 1.33        | 33.83 | 0.35 | 8.89  | 0.63 | 15.88 |
| 02                              |            | 1      | 27                         | 1.22                 | 30.94        |        | 2.13    | 54.10  | 1.06    | 26.90  | 1.55    | 39.40 | 0.50        | 12.70 | 0.75 | 19.05 |      |       |
|                                 |            | 2      | 28                         | 1.22                 | 30.94        |        | 3.13    | 79.50  | 1.06    | 26.90  | 1.55    | 39.40 | 0.50        | 12.70 | 0.75 | 19.05 |      |       |
| 03                              |            | 1      | 29*                        | 1.22                 | 30.94        |        | 2.88    | 73.15  | 1.16    | 29.36  | 1.77    | 44.96 | 0.63        | 15.88 | 0.94 | 23.80 |      |       |
|                                 |            | 2      | 30*                        | 1.22                 | 30.94        |        | 3.88    | 98.55  | 1.16    | 29.36  | 1.77    | 44.96 | 0.63        | 15.88 | 0.94 | 23.80 |      |       |
| 04                              |            | 1      | 120                        | 1.22                 | 30.94        |        | 2.13    | 54.10  | 1.03    | 26.09  | 0.96    | 24.31 | 0.13        | 3.18  | 0.31 | 7.92  |      |       |
|                                 |            | 2      | 121                        | 1.22                 | 30.94        |        | 3.13    | 79.50  | 1.03    | 26.09  | 0.96    | 24.31 | 0.13        | 3.18  | 0.31 | 7.92  |      |       |
| 05                              |            | 1      | 122                        | 1.22                 | 30.94        |        | 2.13    | 54.10  | 1.03    | 26.09  | 1.15    | 29.08 | 0.25        | 6.35  | 0.44 | 11.10 |      |       |
|                                 |            | 2      | 123                        | 1.22                 | 30.94        |        | 3.13    | 79.50  | 1.03    | 26.09  | 1.15    | 29.08 | 0.25        | 6.35  | 0.44 | 11.10 |      |       |
| 20                              |            | 01     | 1                          | 31                   | 37/20        |        | 1.35    | 34.16  | 3.13    | 79.50  | 1.03    | 26.09 | 1.33        | 33.83 | 0.35 | 8.89  | 0.63 | 15.88 |
|                                 |            |        | 2                          | 32                   |              |        | 1.35    | 34.16  | 4.13    | 104.90 | 1.03    | 26.09 | 1.33        | 33.83 | 0.35 | 8.89  | 0.63 | 15.88 |
|                                 | 02         | 1      | 33                         | 1.35                 |              | 34.16  | 3.13    | 79.50  | 1.06    | 26.90  | 1.55    | 39.40 | 0.50        | 12.70 | 0.75 | 19.05 |      |       |
|                                 |            | 2      | 34                         | 1.35                 |              | 34.16  | 4.13    | 104.90 | 1.06    | 26.90  | 1.55    | 39.40 | 0.50        | 12.70 | 0.75 | 19.05 |      |       |
|                                 | 03         | 1      | 35*                        | 1.35                 |              | 34.16  | 3.88    | 98.55  | 1.16    | 29.36  | 1.77    | 44.96 | 0.63        | 15.88 | 0.94 | 23.80 |      |       |
|                                 |            | 2      | 36*                        | 1.35                 |              | 34.16  | 4.88    | 123.95 | 1.16    | 29.36  | 1.77    | 44.96 | 0.63        | 15.88 | 0.94 | 23.80 |      |       |
|                                 | 04         | 1      | 37*                        | 1.35                 |              | 34.16  | 3.88    | 98.55  | 1.38    | 34.93  | 2.11    | 53.67 | 0.88        | 22.23 | 1.25 | 31.75 |      |       |
|                                 |            | 2      | 38*                        | 1.35                 |              | 34.16  | 4.88    | 123.95 | 1.38    | 34.93  | 2.11    | 53.67 | 0.88        | 22.23 | 1.25 | 31.75 |      |       |
|                                 | 05         | 1      | 124                        | 1.35                 |              | 34.16  | 3.13    | 79.50  | 1.03    | 26.09  | 1.15    | 29.08 | 0.25        | 6.35  | 0.44 | 11.10 |      |       |
|                                 |            | 2      | 125                        | 1.35                 |              | 34.16  | 4.13    | 104.90 | 1.03    | 26.09  | 1.15    | 29.08 | 0.25        | 6.35  | 0.44 | 11.10 |      |       |
|                                 | 06         | 1      | 140                        | 1.35                 |              | 34.16  | 3.13    | 79.50  | 1.16    | 29.36  | 1.77    | 44.96 | 0.63        | 15.88 | 0.90 | 22.96 |      |       |
|                                 |            | 2      | 141                        | 1.35                 |              | 34.16  | 4.13    | 104.90 | 1.16    | 29.36  | 1.77    | 44.96 | 0.63        | 15.88 | 0.90 | 22.96 |      |       |
| 22                              | 01         | 1      | 39                         | 22                   | 1.47         | 37.29  | 3.13    | 79.50  | 1.03    | 26.09  | 1.33    | 33.83 | 0.35        | 8.89  | 0.63 | 15.88 |      |       |
|                                 |            | 2      | 40                         |                      | 1.47         | 37.29  | 4.13    | 104.90 | 1.03    | 26.09  | 1.33    | 33.83 | 0.35        | 8.89  | 0.63 | 15.88 |      |       |
|                                 | 02         | 1      | 41                         |                      | 1.47         | 37.29  | 3.13    | 79.50  | 1.06    | 26.90  | 1.55    | 39.40 | 0.50        | 12.70 | 0.75 | 19.05 |      |       |
|                                 |            | 2      | 42                         |                      | 1.47         | 37.29  | 4.13    | 104.90 | 1.06    | 26.90  | 1.55    | 39.40 | 0.50        | 12.70 | 0.75 | 19.05 |      |       |
|                                 | 03         | 1      | 43                         |                      | 1.47         | 37.29  | 3.13    | 79.50  | 1.16    | 29.36  | 1.77    | 44.96 | 0.63        | 15.88 | 0.94 | 23.80 |      |       |
|                                 |            | 2      | 44                         |                      | 1.47         | 37.29  | 4.13    | 104.90 | 1.16    | 29.36  | 1.77    | 44.96 | 0.63        | 15.88 | 0.94 | 23.80 |      |       |
|                                 | 04         | 1      | 45*                        |                      | 1.47         | 37.29  | 3.88    | 98.55  | 1.38    | 34.93  | 2.11    | 53.67 | 0.88        | 22.23 | 1.25 | 31.75 |      |       |
|                                 |            | 2      | 46*                        |                      | 1.47         | 37.29  | 4.88    | 123.95 | 1.38    | 34.93  | 2.11    | 53.67 | 0.88        | 22.23 | 1.25 | 31.75 |      |       |
|                                 | 05         | 1      | 126                        |                      | 1.47         | 37.29  | 3.13    | 79.50  | 1.03    | 26.09  | 0.96    | 24.31 | 0.13        | 3.18  | 0.31 | 7.92  |      |       |
|                                 |            | 2      | 127                        |                      | 1.47         | 37.29  | 4.13    | 104.90 | 1.03    | 26.09  | 0.96    | 24.31 | 0.13        | 3.18  | 0.31 | 7.92  |      |       |
|                                 | 06         | 1      | 128                        |                      | 1.47         | 37.29  | 3.13    | 79.50  | 1.03    | 26.09  | 1.15    | 29.08 | 0.25        | 6.35  | 0.44 | 11.10 |      |       |
|                                 |            | 2      | 129                        |                      | 1.47         | 37.29  | 4.13    | 104.90 | 1.03    | 26.09  | 1.15    | 29.08 | 0.25        | 6.35  | 0.44 | 11.10 |      |       |
| 07                              | 1          | 142    | 1.47                       | 37.29                | 3.13         | 79.50  | 1.38    | 34.93  | 2.11    | 53.67  | 0.88    | 22.23 | 1.03        | 26.14 |      |       |      |       |
|                                 | 2          | 143    | 1.47                       | 37.29                | 4.13         | 104.90 | 1.38    | 34.93  | 2.11    | 53.67  | 0.88    | 22.23 | 1.03        | 26.14 |      |       |      |       |
| 24                              | 01         | 1      | 47                         | 24                   | 1.59         | 40.46  | 3.13    | 79.50  | 1.06    | 26.90  | 1.55    | 39.40 | 0.50        | 12.70 | 0.75 | 19.05 |      |       |
|                                 |            | 2      | 48                         |                      | 1.59         | 40.46  | 4.13    | 104.90 | 1.06    | 26.90  | 1.55    | 39.40 | 0.50        | 12.70 | 0.75 | 19.05 |      |       |
|                                 | 02         | 1      | 49                         |                      | 1.59         | 40.46  | 3.13    | 79.50  | 1.16    | 29.36  | 1.77    | 44.96 | 0.63        | 15.88 | 0.81 | 20.62 |      |       |
|                                 |            | 2      | 50                         |                      | 1.59         | 40.46  | 4.13    | 104.90 | 1.16    | 29.36  | 1.77    | 44.96 | 0.63        | 15.88 | 0.81 | 20.62 |      |       |
|                                 | 03         | 1      | 51                         |                      | 1.59         | 40.46  | 3.13    | 79.50  | 1.16    | 29.36  | 1.77    | 44.96 | 0.63        | 15.88 | 0.94 | 23.80 |      |       |
|                                 |            | 2      | 52                         |                      | 1.59         | 40.46  | 4.13    | 104.90 | 1.16    | 29.36  | 1.77    | 44.96 | 0.63        | 15.88 | 0.94 | 23.80 |      |       |
|                                 | 04         | 1      | 53*                        |                      | 1.59         | 40.46  | 3.88    | 98.55  | 1.38    | 34.93  | 2.11    | 53.67 | 0.88        | 22.23 | 1.25 | 31.75 |      |       |
|                                 |            | 2      | 54*                        |                      | 1.59         | 40.46  | 4.88    | 123.95 | 1.38    | 34.93  | 2.11    | 53.67 | 0.88        | 22.23 | 1.25 | 31.75 |      |       |
|                                 | 05         | 1      | 130                        |                      | 1.59         | 40.46  | 3.13    | 79.50  | 1.03    | 26.09  | 1.33    | 33.83 | 0.35        | 8.89  | 0.63 | 15.88 |      |       |
|                                 |            | 2      | 131                        |                      | 1.59         | 40.46  | 4.13    | 104.90 | 1.03    | 26.09  | 1.33    | 33.83 | 0.35        | 8.89  | 0.63 | 15.88 |      |       |
|                                 | 06         | 1      | 144                        |                      | 1.59         | 40.46  | 3.13    | 79.50  | 1.38    | 34.93  | 2.11    | 53.67 | 0.88        | 22.23 | 1.14 | 29.06 |      |       |
|                                 |            | 2      | 145                        |                      | 1.59         | 40.46  | 4.13    | 104.90 | 1.38    | 34.93  | 2.11    | 53.67 | 0.88        | 22.23 | 1.14 | 29.06 |      |       |

Table Continued

### Connector Group - J

### Straight

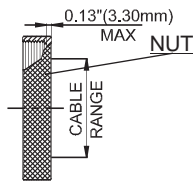
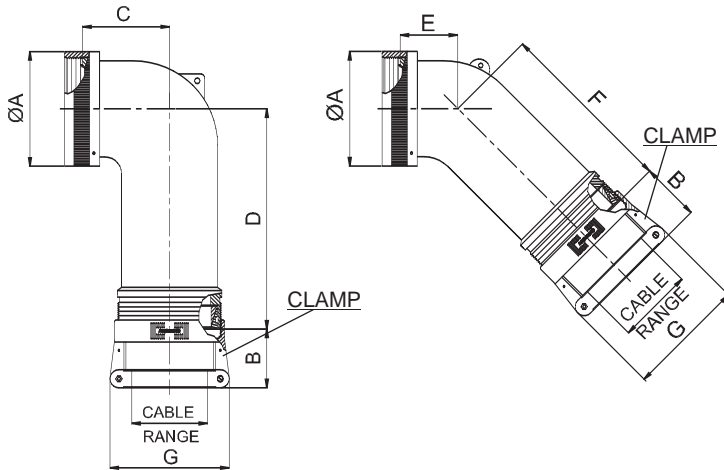
**TABLE - A**

| AMPHENOL PART NUMBER DESIGNATOR |            |        | MIL PART NUMBER DESIGNATOR | CONNECTOR SHELL SIZE | A DIA. (MAX) |       | B (MAX) |        | C (REF) |       | G (MAX) |       | CABLE RANGE |       |      |       |
|---------------------------------|------------|--------|----------------------------|----------------------|--------------|-------|---------|--------|---------|-------|---------|-------|-------------|-------|------|-------|
| SHELL SIZE                      | ENTRY SIZE | LENGTH | DASH NO                    |                      | INCH         | MM    | INCH    | MM     | INCH    | MM    | INCH    | MM    | MIN         |       | MAX  |       |
|                                 |            |        |                            |                      |              |       |         |        |         |       |         |       | INCH        | MM    | INCH | MM    |
| 28                              | 01         | 1      | 55                         | 28                   | 1.97         | 50.01 | 3.13    | 79.50  | 1.06    | 26.90 | 1.55    | 39.40 | 0.50        | 12.70 | 0.75 | 19.05 |
|                                 |            | 2      | 56                         |                      | 1.97         | 50.01 | 4.13    | 104.90 | 1.06    | 26.90 | 1.55    | 39.40 | 0.50        | 12.70 | 0.75 | 19.05 |
|                                 | 02         | 1      | 57                         |                      | 1.97         | 50.01 | 3.13    | 79.50  | 1.16    | 29.36 | 1.77    | 44.96 | 0.63        | 15.88 | 0.94 | 23.80 |
|                                 |            | 2      | 58                         |                      | 1.97         | 50.01 | 4.13    | 104.90 | 1.16    | 29.36 | 1.77    | 44.96 | 0.63        | 15.88 | 0.94 | 23.80 |
|                                 | 03         | 1      | 59                         |                      | 1.97         | 50.01 | 3.13    | 79.50  | 1.38    | 34.93 | 2.11    | 53.67 | 0.88        | 22.23 | 1.25 | 31.75 |
|                                 |            | 2      | 60                         |                      | 1.97         | 50.01 | 4.13    | 104.90 | 1.38    | 34.93 | 2.11    | 53.67 | 0.88        | 22.23 | 1.25 | 31.75 |
|                                 | 04         | 1      | 61                         |                      | 1.97         | 50.01 | 3.13    | 79.50  | 1.50    | 38.10 | 2.36    | 60.02 | 1.00        | 25.40 | 1.38 | 34.93 |
|                                 |            | 2      | 62                         |                      | 1.97         | 50.01 | 4.13    | 104.90 | 1.50    | 38.10 | 2.36    | 60.02 | 1.00        | 25.40 | 1.38 | 34.93 |
| 32                              | 01         | 1      | 63                         | 32                   | 2.22         | 56.36 | 3.13    | 79.50  | 1.16    | 29.36 | 1.77    | 44.96 | 0.63        | 15.88 | 0.94 | 23.80 |
|                                 |            | 2      | 64                         |                      | 2.22         | 56.36 | 4.13    | 104.90 | 1.16    | 29.36 | 1.77    | 44.96 | 0.63        | 15.88 | 0.94 | 23.80 |
|                                 | 02         | 1      | 65                         |                      | 2.22         | 56.36 | 3.13    | 79.50  | 1.38    | 34.93 | 2.11    | 53.67 | 0.88        | 22.23 | 1.25 | 31.75 |
|                                 |            | 2      | 66                         |                      | 2.22         | 56.36 | 4.13    | 104.90 | 1.38    | 34.93 | 2.11    | 53.67 | 0.88        | 22.23 | 1.25 | 31.75 |
|                                 | 03         | 1      | 67                         |                      | 2.22         | 56.36 | 3.13    | 79.50  | 1.50    | 38.10 | 2.36    | 60.02 | 1.00        | 25.40 | 1.38 | 34.93 |
|                                 |            | 2      | 68                         |                      | 2.22         | 56.36 | 4.13    | 104.90 | 1.50    | 38.10 | 2.36    | 60.02 | 1.00        | 25.40 | 1.38 | 34.93 |
|                                 | 04         | 1      | 69                         |                      | 2.22         | 56.36 | 3.13    | 79.50  | 1.78    | 45.24 | 2.77    | 70.36 | 1.25        | 31.75 | 1.63 | 41.28 |
|                                 |            | 2      | 70                         |                      | 2.22         | 56.36 | 4.13    | 104.90 | 1.78    | 45.24 | 2.77    | 70.36 | 1.25        | 31.75 | 1.63 | 41.28 |
| 36                              | 01         | 1      | 71                         | 36                   | 2.47         | 62.71 | 4.13    | 104.90 | 1.38    | 34.93 | 2.11    | 53.67 | 0.88        | 22.23 | 1.25 | 31.75 |
|                                 |            | 2      | 72                         |                      | 2.47         | 62.71 | 5.13    | 130.30 | 1.38    | 34.93 | 2.11    | 53.67 | 0.88        | 22.23 | 1.25 | 31.75 |
|                                 | 02         | 1      | 73                         |                      | 2.47         | 62.71 | 4.13    | 104.90 | 1.50    | 38.10 | 2.36    | 60.02 | 1.00        | 25.40 | 1.38 | 34.93 |
|                                 |            | 2      | 74                         |                      | 2.47         | 62.71 | 5.13    | 130.30 | 1.50    | 38.10 | 2.36    | 60.02 | 1.00        | 25.40 | 1.38 | 34.93 |
|                                 | 03         | 1      | 75                         |                      | 2.47         | 62.71 | 4.13    | 104.90 | 1.78    | 45.24 | 2.77    | 70.36 | 1.25        | 31.75 | 1.63 | 41.28 |
|                                 |            | 2      | 76                         |                      | 2.47         | 62.71 | 5.13    | 130.30 | 1.78    | 45.24 | 2.77    | 70.36 | 1.25        | 31.75 | 1.63 | 41.28 |
|                                 | 04         | 1      | 77*                        |                      | 2.47         | 62.71 | 5.01    | 127.25 | 1.83    | 46.48 | 3.02    | 76.71 | 1.44        | 36.50 | 1.88 | 47.63 |
|                                 |            | 2      | 78*                        |                      | 2.47         | 62.71 | 6.01    | 152.65 | 1.83    | 46.48 | 3.02    | 76.71 | 1.44        | 36.50 | 1.88 | 47.63 |
|                                 | 05         | 1      | 132                        |                      | 2.47         | 62.71 | 4.13    | 104.90 | 1.06    | 26.90 | 1.55    | 39.40 | 0.50        | 12.70 | 0.75 | 19.05 |
|                                 |            | 2      | 133                        |                      | 2.47         | 62.71 | 5.13    | 130.30 | 1.06    | 26.90 | 1.55    | 39.40 | 0.50        | 12.70 | 0.75 | 19.05 |
|                                 | 06         | 1      | 146                        |                      | 2.47         | 62.71 | 4.13    | 104.90 | 1.83    | 46.48 | 3.02    | 76.71 | 1.44        | 36.50 | 1.84 | 46.74 |
|                                 |            | 2      | 147                        |                      | 2.47         | 62.71 | 5.13    | 130.30 | 1.83    | 46.48 | 3.02    | 76.71 | 1.44        | 36.50 | 1.84 | 46.74 |
|                                 | 07         | 1      | 148                        |                      | 2.47         | 62.71 | 4.13    | 104.90 | 1.16    | 29.36 | 1.77    | 44.96 | 0.63        | 15.88 | 0.94 | 23.80 |
|                                 |            | 2      | 149                        |                      | 2.47         | 62.71 | 5.13    | 130.30 | 1.16    | 29.36 | 1.77    | 44.96 | 0.63        | 15.88 | 0.94 | 23.80 |
| 40                              | 01         | 1      | 79                         | 40                   | 2.72         | 69.06 | 4.13    | 104.90 | 1.38    | 34.93 | 2.11    | 53.67 | 0.88        | 22.23 | 1.25 | 31.75 |
|                                 |            | 2      | 80                         |                      | 2.72         | 69.06 | 5.13    | 130.30 | 1.38    | 34.93 | 2.11    | 53.67 | 0.88        | 22.23 | 1.25 | 31.75 |
|                                 | 02         | 1      | 81                         |                      | 2.72         | 69.06 | 4.13    | 104.90 | 1.50    | 38.10 | 2.36    | 60.02 | 1.00        | 25.40 | 1.38 | 34.93 |
|                                 |            | 2      | 82                         |                      | 2.72         | 69.06 | 5.13    | 130.30 | 1.50    | 38.10 | 2.36    | 60.02 | 1.00        | 25.40 | 1.38 | 34.93 |
|                                 | 03         | 1      | 83                         |                      | 2.72         | 69.06 | 4.13    | 104.90 | 1.78    | 45.24 | 2.77    | 70.36 | 1.25        | 31.75 | 1.63 | 41.28 |
|                                 |            | 2      | 84                         |                      | 2.72         | 69.06 | 5.13    | 130.30 | 1.78    | 45.24 | 2.77    | 70.36 | 1.25        | 31.75 | 1.63 | 41.28 |
|                                 | 04         | 1      | 85                         |                      | 2.72         | 69.06 | 4.13    | 104.90 | 1.83    | 46.48 | 3.02    | 76.71 | 1.44        | 36.50 | 1.88 | 47.63 |
|                                 |            | 2      | 86                         |                      | 2.72         | 69.06 | 5.13    | 130.30 | 1.83    | 46.48 | 3.02    | 76.71 | 1.44        | 36.50 | 1.88 | 47.63 |
|                                 | 05         | 1      | 134                        |                      | 2.72         | 69.06 | 4.13    | 104.90 | 1.06    | 26.90 | 1.55    | 39.40 | 0.50        | 12.70 | 0.75 | 19.05 |
|                                 |            | 2      | 135                        |                      | 2.72         | 69.06 | 5.13    | 130.30 | 1.06    | 26.90 | 1.55    | 39.40 | 0.50        | 12.70 | 0.75 | 19.05 |
|                                 | 06         | 1      | 156                        |                      | 2.72         | 69.06 | 4.13    | 104.90 | 1.16    | 29.36 | 1.77    | 44.96 | 0.63        | 15.88 | 0.94 | 23.80 |
|                                 |            | 2      | 157                        |                      | 2.72         | 69.06 | 5.13    | 130.30 | 1.16    | 29.36 | 1.77    | 44.96 | 0.63        | 15.88 | 0.94 | 23.80 |
| 44                              | 01         | 1      | 87                         | 44                   | 2.97         | 75.41 | 4.13    | 104.90 | 1.38    | 34.93 | 2.11    | 53.67 | 0.88        | 22.23 | 1.25 | 31.75 |
|                                 |            | 2      | 88                         |                      | 2.97         | 75.41 | 5.13    | 130.30 | 1.38    | 34.93 | 2.11    | 53.67 | 0.88        | 22.23 | 1.25 | 31.75 |
|                                 | 02         | 1      | 89                         |                      | 2.97         | 75.41 | 4.13    | 104.90 | 1.50    | 38.10 | 2.36    | 60.02 | 1.00        | 25.40 | 1.38 | 34.93 |
|                                 |            | 2      | 90                         |                      | 2.97         | 75.41 | 5.13    | 130.30 | 1.50    | 38.10 | 2.36    | 60.02 | 1.00        | 25.40 | 1.38 | 34.93 |
|                                 | 03         | 1      | 91                         |                      | 2.97         | 75.41 | 4.13    | 104.90 | 1.78    | 45.24 | 2.77    | 70.36 | 1.25        | 31.75 | 1.63 | 41.28 |
|                                 |            | 2      | 92                         |                      | 2.97         | 75.41 | 5.13    | 130.30 | 1.78    | 45.24 | 2.77    | 70.36 | 1.25        | 31.75 | 1.63 | 41.28 |
|                                 | 04         | 1      | 93                         |                      | 2.97         | 75.41 | 4.13    | 104.90 | 1.83    | 46.48 | 3.02    | 76.71 | 1.44        | 36.50 | 1.88 | 47.63 |
|                                 |            | 2      | 94                         |                      | 2.97         | 75.41 | 5.13    | 130.30 | 1.83    | 46.48 | 3.02    | 76.71 | 1.44        | 36.50 | 1.88 | 47.63 |
|                                 | 05         | 1      | 154                        |                      | 2.97         | 75.41 | 4.13    | 104.90 | 1.16    | 29.36 | 1.77    | 44.96 | 0.63        | 15.88 | 0.94 | 23.80 |
|                                 |            | 2      | 155                        |                      | 2.97         | 75.41 | 5.13    | 130.30 | 1.16    | 29.36 | 1.77    | 44.96 | 0.63        | 15.88 | 0.94 | 23.80 |
| 48                              | 01         | 1      | 95                         | 48                   | 3.22         | 81.76 | 4.13    | 104.90 | 1.38    | 34.93 | 2.11    | 53.67 | 0.88        | 22.23 | 1.25 | 31.75 |
|                                 |            | 2      | 96                         |                      | 3.22         | 81.76 | 5.13    | 130.30 | 1.38    | 34.93 | 2.11    | 53.67 | 0.88        | 22.23 | 1.25 | 31.75 |
|                                 | 02         | 1      | 97                         |                      | 3.22         | 81.76 | 4.13    | 104.90 | 1.50    | 38.10 | 2.36    | 60.02 | 1.00        | 25.40 | 1.38 | 34.93 |
|                                 |            | 2      | 98                         |                      | 3.22         | 81.76 | 5.13    | 130.30 | 1.50    | 38.10 | 2.36    | 60.02 | 1.00        | 25.40 | 1.38 | 34.93 |
|                                 | 03         | 1      | 99                         |                      | 3.22         | 81.76 | 4.13    | 104.90 | 1.78    | 45.24 | 2.77    | 70.36 | 1.25        | 31.75 | 1.63 | 41.28 |
|                                 |            | 2      | 100                        |                      | 3.22         | 81.76 | 5.13    | 130.30 | 1.78    | 45.24 | 2.77    | 70.36 | 1.25        | 31.75 | 1.63 | 41.28 |
|                                 | 04         | 1      | 101                        |                      | 3.22         | 81.76 | 4.13    | 104.90 | 1.83    | 46.48 | 3.02    | 76.71 | 1.44        | 36.50 | 1.88 | 47.63 |
|                                 |            | 2      | 102                        |                      | 3.22         | 81.76 | 5.13    | 130.30 | 1.83    | 46.48 | 3.02    | 76.71 | 1.44        | 36.50 | 1.88 | 47.63 |

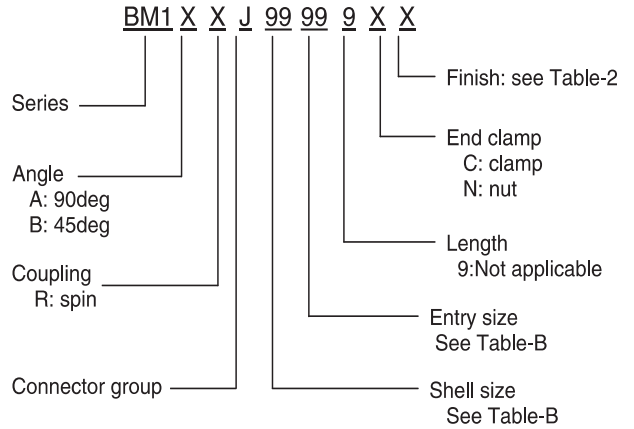


### Connector Group - J

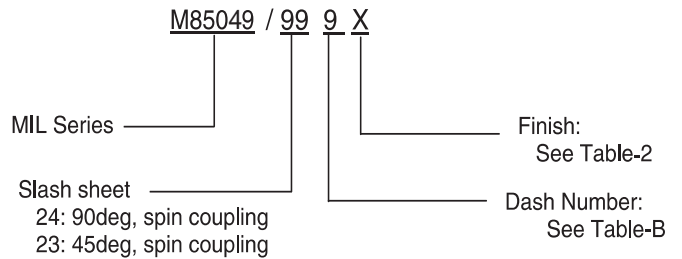
90°, 45°



#### Amphenol Part Number



#### MIL Part Number



NOTE: \* For more cable entry options, contact factory

| TABLE - B                       |            |                            |                      |              |       |         |       |         |       |         |       |         |       |
|---------------------------------|------------|----------------------------|----------------------|--------------|-------|---------|-------|---------|-------|---------|-------|---------|-------|
| AMPHENOL PART NUMBER DESIGNATOR |            | MIL PART NUMBER DESIGNATOR | CONNECTOR SHELL SIZE | A DIA. (MAX) |       | B (REF) |       | C (MAX) |       | D (MAX) |       | E (MAX) |       |
| SHELL SIZE                      | ENTRY SIZE | DASH NO                    |                      | INCH         | MM    | INCH    | MM    | INCH    | MM    | INCH    | MM    | INCH    | MM    |
| 08                              | 01         | 3                          | 8                    | 0.62         | 15.67 | 1.03    | 26.09 | 0.67    | 17.02 | 1.26    | 32.00 | 0.63    | 16.00 |
| 10                              | 01         | 4                          | 10                   | 0.73         | 18.64 | 1.03    | 26.09 | 0.76    | 19.30 | 1.98    | 50.29 | 0.69    | 17.53 |
|                                 | 02         | 49*                        |                      | 0.73         | 18.64 | 1.03    | 26.09 | 1.52    | 38.61 | 2.00    | 50.80 | 1.50    | 38.10 |
| 12                              | 03         | 5                          | 7/12                 | 0.73         | 18.64 | 1.03    | 26.09 | 0.76    | 19.30 | 1.38    | 35.05 | 0.69    | 17.53 |
|                                 | 01         | 6                          |                      | 0.86         | 21.79 | 1.03    | 26.09 | 0.77    | 19.56 | 2.00    | 50.80 | 0.75    | 19.05 |
|                                 | 02         | 71*                        |                      | 0.86         | 21.79 | 1.03    | 26.09 | 1.81    | 45.97 | 2.16    | 54.86 | 1.65    | 41.91 |
|                                 | 03         | 7                          |                      | 0.86         | 21.79 | 1.03    | 26.09 | 0.77    | 19.56 | 2.00    | 50.80 | 0.75    | 19.05 |
| 14                              | 04         | 8                          | 12/14                | 0.86         | 21.79 | 1.03    | 26.09 | 0.77    | 19.56 | 1.40    | 35.56 | 0.75    | 19.05 |
|                                 | 01         | 9                          |                      | 0.98         | 24.99 | 1.03    | 26.09 | 0.87    | 22.10 | 2.07    | 52.58 | 0.81    | 20.57 |
|                                 | 02         | 10                         |                      | 0.98         | 24.99 | 1.03    | 26.09 | 0.87    | 22.10 | 1.72    | 43.69 | 0.81    | 20.57 |
|                                 | 03         | 50*                        |                      | 0.98         | 24.99 | 1.06    | 26.90 | 1.89    | 48.01 | 2.33    | 59.18 | 1.84    | 46.74 |
| 16                              | 04         | 74                         | 19/16                | 0.98         | 24.99 | 1.03    | 26.09 | 0.87    | 22.10 | 2.07    | 52.58 | 0.81    | 20.57 |
|                                 | 01         | 11                         |                      | 1.11         | 28.24 | 1.03    | 26.09 | 1.05    | 26.67 | 2.16    | 54.86 | 0.91    | 23.11 |
|                                 | 02         | 12                         |                      | 1.11         | 28.24 | 1.06    | 26.90 | 1.05    | 26.67 | 1.81    | 45.97 | 0.91    | 23.11 |
|                                 | 03         | 40                         |                      | 1.11         | 28.24 | 1.03    | 26.09 | 1.05    | 26.67 | 2.16    | 54.86 | 0.91    | 23.11 |
|                                 | 04         | 51*                        |                      | 1.11         | 28.24 | 1.16    | 29.36 | 2.04    | 51.82 | 2.44    | 61.98 | 1.94    | 49.28 |
|                                 | 05         | 75                         |                      | 1.11         | 28.24 | 1.03    | 26.09 | 1.05    | 26.67 | 2.16    | 54.86 | 0.91    | 23.11 |

Table Continued

Connector Group - J

90°, 45°

| TABLE - B                       |            |                            |                      |              |       |         |       |         |       |         |       |         |       |
|---------------------------------|------------|----------------------------|----------------------|--------------|-------|---------|-------|---------|-------|---------|-------|---------|-------|
| AMPHENOL PART NUMBER DESIGNATOR |            | MIL PART NUMBER DESIGNATOR | CONNECTOR SHELL SIZE | A DIA. (MAX) |       | B (REF) |       | C (MAX) |       | D (MAX) |       | E (MAX) |       |
| SHELL SIZE                      | ENTRY SIZE | DASH NO                    |                      | INCH         | MM    | INCH    | MM    | INCH    | MM    | INCH    | MM    | INCH    | MM    |
| 18                              | 01         | 13                         | 27/18                | 1.22         | 30.94 | 1.03    | 26.09 | 1.14    | 28.96 | 2.33    | 59.18 | 1.09    | 27.69 |
|                                 | 02         | 14                         |                      | 1.22         | 30.94 | 1.16    | 29.36 | 1.14    | 28.96 | 1.98    | 50.29 | 1.09    | 27.69 |
|                                 | 03         | 41                         |                      | 1.22         | 30.94 | 1.03    | 26.09 | 1.14    | 28.96 | 2.33    | 59.18 | 1.09    | 27.69 |
|                                 | 04         | 42                         |                      | 1.22         | 30.94 | 1.03    | 26.09 | 1.14    | 28.96 | 2.33    | 59.18 | 1.09    | 27.69 |
|                                 | 05         | 52                         |                      | 1.22         | 30.94 | 1.06    | 26.90 | 1.14    | 28.96 | 2.33    | 59.18 | 1.09    | 27.69 |
|                                 | 06         | 72*                        |                      | 1.22         | 30.94 | 1.16    | 29.36 | 2.05    | 52.07 | 2.44    | 61.98 | 1.94    | 49.28 |
| 20                              | 01         | 15                         | 37/20                | 1.35         | 34.16 | 1.03    | 26.09 | 1.14    | 28.96 | 2.33    | 59.18 | 1.09    | 27.69 |
|                                 | 02         | 16                         |                      | 1.35         | 34.16 | 1.16    | 29.36 | 1.14    | 28.96 | 1.98    | 50.29 | 1.09    | 27.69 |
|                                 | 03         | 43                         |                      | 1.35         | 34.16 | 1.03    | 26.09 | 1.14    | 28.96 | 2.33    | 59.18 | 1.09    | 27.69 |
|                                 | 04         | 54                         |                      | 1.35         | 34.16 | 1.06    | 26.90 | 1.14    | 28.96 | 2.33    | 59.18 | 1.09    | 27.69 |
|                                 | 05         | 55                         |                      | 1.35         | 34.16 | 1.38    | 34.93 | 2.14    | 54.36 | 2.61    | 66.29 | 2.06    | 52.32 |
| 22                              | 01         | 17                         | 22                   | 1.47         | 37.29 | 1.06    | 26.90 | 1.29    | 32.77 | 2.44    | 61.98 | 1.19    | 30.23 |
|                                 | 02         | 18                         |                      | 1.47         | 37.29 | 1.38    | 34.93 | 1.29    | 32.77 | 2.09    | 53.09 | 1.19    | 30.23 |
|                                 | 03         | 44                         |                      | 1.47         | 37.29 | 1.03    | 26.09 | 1.29    | 32.77 | 2.44    | 61.98 | 1.19    | 30.23 |
|                                 | 04         | 45                         |                      | 1.47         | 37.29 | 1.03    | 26.09 | 1.29    | 32.77 | 2.44    | 61.98 | 1.19    | 30.23 |
|                                 | 05         | 56                         |                      | 1.47         | 37.29 | 1.03    | 26.09 | 1.29    | 32.77 | 2.44    | 61.98 | 1.19    | 30.23 |
|                                 | 06         | 57                         |                      | 1.47         | 37.29 | 1.16    | 29.36 | 1.29    | 32.77 | 2.44    | 61.98 | 1.19    | 30.23 |
|                                 | 07         | 58*                        |                      | 1.47         | 37.29 | 1.38    | 34.93 | 2.14    | 54.36 | 2.61    | 66.29 | 2.06    | 52.32 |
| 24                              | 01         | 19                         | 24                   | 1.59         | 40.46 | 1.06    | 26.90 | 1.29    | 32.77 | 2.44    | 61.98 | 1.19    | 30.23 |
|                                 | 02         | 20                         |                      | 1.59         | 40.46 | 1.38    | 34.93 | 1.29    | 32.77 | 2.09    | 53.09 | 1.19    | 30.23 |
|                                 | 03         | 46                         |                      | 1.59         | 40.46 | 1.03    | 26.09 | 1.29    | 32.77 | 2.44    | 61.98 | 1.19    | 30.23 |
|                                 | 04         | 59                         |                      | 1.59         | 40.46 | 1.16    | 29.36 | 1.29    | 32.77 | 2.44    | 61.98 | 1.19    | 30.23 |
|                                 | 05         | 73*                        |                      | 1.59         | 40.46 | 1.38    | 34.93 | 2.15    | 54.61 | 2.61    | 66.29 | 2.06    | 52.32 |
| 28                              | 01         | 21                         | 28                   | 1.97         | 50.01 | 1.16    | 29.36 | 1.39    | 35.31 | 2.61    | 66.29 | 1.31    | 33.27 |
|                                 | 02         | 22                         |                      | 1.97         | 50.01 | 1.50    | 38.10 | 1.39    | 35.31 | 2.26    | 57.40 | 1.31    | 33.27 |
|                                 | 03         | 60                         |                      | 1.97         | 50.01 | 1.06    | 26.90 | 1.39    | 35.31 | 2.61    | 66.29 | 1.31    | 33.27 |
|                                 | 04         | 61                         |                      | 1.97         | 50.01 | 1.38    | 34.93 | 1.39    | 35.31 | 2.61    | 66.29 | 1.31    | 33.27 |
| 32                              | 01         | 23                         | 32                   | 2.22         | 56.36 | 1.16    | 29.36 | 1.74    | 44.20 | 2.86    | 72.64 | 1.38    | 35.05 |
|                                 | 02         | 24                         |                      | 2.22         | 56.36 | 1.38    | 34.93 | 1.74    | 44.20 | 2.86    | 72.64 | 1.38    | 35.05 |
|                                 | 03         | 25                         |                      | 2.22         | 56.36 | 1.78    | 45.24 | 1.74    | 44.20 | 2.51    | 63.75 | 1.38    | 35.05 |
|                                 | 04         | 62                         |                      | 2.22         | 56.36 | 1.50    | 38.10 | 1.74    | 44.20 | 2.86    | 72.64 | 1.38    | 35.05 |
| 36                              | 01         | 26                         | 36                   | 2.47         | 62.71 | 1.16    | 29.36 | 1.94    | 49.28 | 2.83    | 71.88 | 1.41    | 35.81 |
|                                 | 02         | 27                         |                      | 2.47         | 62.71 | 1.50    | 38.10 | 1.94    | 49.28 | 2.83    | 71.88 | 1.41    | 35.81 |
|                                 | 03         | 28                         |                      | 2.47         | 62.71 | 1.83    | 46.48 | 1.94    | 49.28 | 2.48    | 62.99 | 1.41    | 35.81 |
|                                 | 04         | 47                         |                      | 2.47         | 62.71 | 1.06    | 26.90 | 1.94    | 49.28 | 2.83    | 71.88 | 1.41    | 35.81 |
|                                 | 05         | 63                         |                      | 2.47         | 62.71 | 1.38    | 34.93 | 1.94    | 49.28 | 2.83    | 71.88 | 1.41    | 35.81 |
|                                 | 06         | 64                         |                      | 2.47         | 62.71 | 1.78    | 45.24 | 1.94    | 49.28 | 2.83    | 71.88 | 1.41    | 35.81 |
| 40                              | 01         | 29                         | 40                   | 2.72         | 69.06 | 1.16    | 29.36 | 2.69    | 68.33 | 2.83    | 71.88 | 2.16    | 54.86 |
|                                 | 02         | 30                         |                      | 2.72         | 69.06 | 1.50    | 38.10 | 2.69    | 68.33 | 2.83    | 71.88 | 2.16    | 54.86 |
|                                 | 03         | 31                         |                      | 2.72         | 69.06 | 1.83    | 46.48 | 2.69    | 68.33 | 2.48    | 62.99 | 2.16    | 54.86 |
|                                 | 04         | 48                         |                      | 2.72         | 69.06 | 1.06    | 26.90 | 1.94    | 49.28 | 2.83    | 71.88 | 2.16    | 54.86 |
|                                 | 05         | 65                         |                      | 2.72         | 69.06 | 1.38    | 34.93 | 2.69    | 68.33 | 2.83    | 71.88 | 2.16    | 54.86 |
|                                 | 06         | 66                         |                      | 2.72         | 69.06 | 1.78    | 45.24 | 2.69    | 68.33 | 2.83    | 71.88 | 2.16    | 54.86 |
| 44                              | 01         | 32                         | 44                   | 2.97         | 75.41 | 1.16    | 29.36 | 2.69    | 68.33 | 2.83    | 71.88 | 2.16    | 54.86 |
|                                 | 02         | 33                         |                      | 2.97         | 75.41 | 1.50    | 38.10 | 2.69    | 68.33 | 2.83    | 71.88 | 2.16    | 54.86 |
|                                 | 03         | 34                         |                      | 2.97         | 75.41 | 1.83    | 46.48 | 2.69    | 68.33 | 2.48    | 62.99 | 2.16    | 54.86 |
|                                 | 04         | 67                         |                      | 2.97         | 75.41 | 1.38    | 34.93 | 2.69    | 68.33 | 2.83    | 71.88 | 2.16    | 54.86 |
|                                 | 05         | 68                         |                      | 2.97         | 75.41 | 1.78    | 45.24 | 2.69    | 68.33 | 2.83    | 71.88 | 2.16    | 54.86 |
| 48                              | 01         | 35                         | 48                   | 3.22         | 81.76 | 1.16    | 29.36 | 2.69    | 68.33 | 2.83    | 71.88 | 2.16    | 54.86 |
|                                 | 02         | 36                         |                      | 3.22         | 81.76 | 1.50    | 38.10 | 2.69    | 68.33 | 2.83    | 71.88 | 2.16    | 54.86 |
|                                 | 03         | 37                         |                      | 3.22         | 81.76 | 1.83    | 46.48 | 2.69    | 68.33 | 2.48    | 62.99 | 2.16    | 54.86 |
|                                 | 04         | 69                         |                      | 3.22         | 81.76 | 1.38    | 34.93 | 2.69    | 68.33 | 2.83    | 71.88 | 2.16    | 54.86 |
|                                 | 05         | 70                         |                      | 3.22         | 81.76 | 1.78    | 45.24 | 2.69    | 68.33 | 2.83    | 71.88 | 2.16    | 54.86 |

Table Continued

### Connector Group - J

90°, 45°

| TABLE - B                       |            |                            |                      |         |       |         |       |             |       |      |       |
|---------------------------------|------------|----------------------------|----------------------|---------|-------|---------|-------|-------------|-------|------|-------|
| AMPHENOL PART NUMBER DESIGNATOR |            | MIL PART NUMBER DESIGNATOR | CONNECTOR SHELL SIZE | F (MAX) |       | G (MAX) |       | CABLE RANGE |       |      |       |
| SHELL SIZE                      | ENTRY SIZE | DASH NO                    |                      | INCH    | MM    | INCH    | MM    | MIN         |       | MAX  |       |
|                                 |            |                            |                      |         |       |         |       | INCH        | MM    | INCH | MM    |
| 08                              | 01         | 3                          | 8                    | 1.25    | 31.75 | 0.96    | 24.31 | 0.13        | 3.18  | 0.25 | 6.35  |
| 10                              | 01         | 4                          | 10                   | 1.92    | 48.77 | 0.96    | 24.31 | 0.13        | 3.18  | 0.31 | 7.92  |
|                                 | 02         | 49*                        |                      | 1.98    | 50.29 | 1.15    | 29.08 | 0.25        | 6.35  | 0.44 | 11.10 |
|                                 | 03         | 5                          |                      | 1.31    | 33.27 | 1.15    | 29.08 | 0.25        | 6.35  | 0.38 | 9.53  |
| 12                              | 01         | 6                          | 7/12                 | 1.98    | 50.29 | 0.96    | 24.31 | 0.13        | 3.18  | 0.31 | 7.92  |
|                                 | 02         | 71*                        |                      | 2.18    | 55.37 | 1.33    | 33.83 | 0.35        | 8.89  | 0.63 | 15.88 |
|                                 | 03         | 7                          |                      | 1.98    | 50.29 | 1.15    | 29.08 | 0.25        | 6.35  | 0.44 | 11.10 |
|                                 | 04         | 8                          |                      | 1.98    | 50.29 | 1.33    | 33.83 | 0.35        | 8.89  | 0.50 | 12.70 |
| 14                              | 01         | 9                          | 12/14                | 2.07    | 52.58 | 1.15    | 29.08 | 0.25        | 6.35  | 0.44 | 11.10 |
|                                 | 02         | 10                         |                      | 1.72    | 43.69 | 1.33    | 33.83 | 0.35        | 8.89  | 0.58 | 14.61 |
|                                 | 03         | 50*                        |                      | 2.37    | 60.20 | 1.55    | 39.40 | 0.50        | 12.70 | 0.75 | 19.05 |
|                                 | 04         | 74                         |                      | 2.07    | 52.58 | 0.96    | 24.31 | 0.13        | 3.18  | 0.31 | 7.92  |
| 16                              | 01         | 11                         | 19/16                | 2.18    | 55.37 | 1.15    | 29.08 | 0.25        | 6.35  | 0.44 | 11.10 |
|                                 | 02         | 12                         |                      | 1.82    | 46.23 | 1.55    | 39.40 | 0.50        | 12.70 | 0.70 | 17.78 |
|                                 | 03         | 40                         |                      | 2.18    | 55.37 | 1.33    | 33.83 | 0.35        | 8.89  | 0.63 | 15.88 |
|                                 | 04         | 51*                        |                      | 2.52    | 64.01 | 1.77    | 44.96 | 0.63        | 15.88 | 0.94 | 23.80 |
|                                 | 05         | 75                         |                      | 2.18    | 55.37 | 0.96    | 24.31 | 0.13        | 3.18  | 0.31 | 7.92  |
| 18                              | 01         | 13                         | 27/18                | 2.37    | 60.20 | 1.33    | 33.83 | 0.35        | 8.89  | 0.63 | 15.88 |
|                                 | 02         | 14                         |                      | 2.00    | 50.80 | 1.77    | 44.96 | 0.63        | 15.88 | 0.78 | 19.79 |
|                                 | 03         | 41                         |                      | 2.37    | 60.20 | 0.96    | 24.31 | 0.13        | 3.18  | 0.31 | 7.92  |
|                                 | 04         | 42                         |                      | 2.37    | 60.20 | 1.15    | 29.08 | 0.25        | 6.35  | 0.44 | 11.10 |
|                                 | 05         | 52                         |                      | 2.37    | 60.20 | 1.55    | 39.40 | 0.50        | 12.70 | 0.75 | 19.05 |
|                                 | 06         | 72*                        |                      | 2.52    | 64.01 | 1.77    | 44.96 | 0.63        | 15.88 | 0.94 | 23.80 |
| 20                              | 01         | 15                         | 37/20                | 2.37    | 60.20 | 1.33    | 33.83 | 0.35        | 8.89  | 0.63 | 15.88 |
|                                 | 02         | 16                         |                      | 2.00    | 50.80 | 1.77    | 44.96 | 0.63        | 15.88 | 0.90 | 22.96 |
|                                 | 03         | 43                         |                      | 2.37    | 60.20 | 1.15    | 29.08 | 0.25        | 6.35  | 0.44 | 11.10 |
|                                 | 04         | 54                         |                      | 2.37    | 60.20 | 1.55    | 39.40 | 0.50        | 12.70 | 0.75 | 19.05 |
|                                 | 05         | 55                         |                      | 2.57    | 65.28 | 2.11    | 53.67 | 0.88        | 22.23 | 1.25 | 31.75 |
| 22                              | 01         | 17                         | 22                   | 2.52    | 64.01 | 1.55    | 39.40 | 0.50        | 12.70 | 0.75 | 19.05 |
|                                 | 02         | 18                         |                      | 2.16    | 54.86 | 2.11    | 53.67 | 0.88        | 22.23 | 1.03 | 26.14 |
|                                 | 03         | 44                         |                      | 2.52    | 64.01 | 0.96    | 24.31 | 0.13        | 3.18  | 0.31 | 7.92  |
|                                 | 04         | 45                         |                      | 2.52    | 64.01 | 1.15    | 29.08 | 0.25        | 6.35  | 0.44 | 11.10 |
|                                 | 05         | 56                         |                      | 2.52    | 64.01 | 1.33    | 33.83 | 0.35        | 8.89  | 0.63 | 15.88 |
|                                 | 06         | 57                         |                      | 2.52    | 64.01 | 1.77    | 44.96 | 0.63        | 15.88 | 0.94 | 23.80 |
|                                 | 07         | 58*                        |                      | 2.57    | 65.28 | 2.11    | 53.67 | 0.88        | 22.23 | 1.25 | 31.75 |
| 24                              | 01         | 19                         | 24                   | 2.52    | 64.01 | 1.55    | 39.40 | 0.50        | 12.70 | 0.75 | 19.05 |
|                                 | 02         | 20                         |                      | 2.16    | 54.86 | 2.11    | 53.67 | 0.88        | 22.23 | 1.14 | 29.06 |
|                                 | 03         | 46                         |                      | 2.52    | 64.01 | 1.33    | 33.83 | 0.35        | 8.89  | 0.63 | 15.88 |
|                                 | 04         | 59                         |                      | 2.52    | 64.01 | 1.77    | 44.96 | 0.63        | 15.88 | 0.94 | 23.80 |
|                                 | 05         | 73*                        |                      | 2.57    | 65.28 | 2.12    | 53.75 | 0.88        | 22.23 | 1.25 | 31.75 |
| 28                              | 01         | 21                         | 28                   | 2.57    | 65.28 | 1.77    | 44.96 | 0.63        | 15.88 | 0.94 | 23.80 |
|                                 | 02         | 22                         |                      | 2.22    | 56.39 | 2.36    | 60.02 | 1.00        | 25.40 | 1.38 | 34.93 |
|                                 | 03         | 60                         |                      | 2.57    | 65.28 | 1.55    | 39.40 | 0.50        | 12.70 | 0.75 | 19.05 |
|                                 | 04         | 61                         |                      | 2.57    | 65.28 | 2.11    | 53.67 | 0.88        | 22.23 | 1.25 | 31.75 |
| 32                              | 01         | 23                         | 32                   | 2.67    | 67.82 | 1.77    | 44.96 | 0.63        | 15.88 | 0.94 | 23.80 |
|                                 | 02         | 24                         |                      | 2.67    | 67.82 | 2.11    | 53.67 | 0.88        | 22.23 | 1.25 | 31.75 |
|                                 | 03         | 25                         |                      | 2.32    | 58.93 | 2.77    | 70.36 | 1.25        | 31.75 | 1.63 | 41.28 |
|                                 | 04         | 62                         |                      | 2.67    | 67.82 | 2.36    | 60.02 | 1.00        | 25.40 | 1.38 | 34.93 |

Table Continued



Connector Group - J

90°, 45°

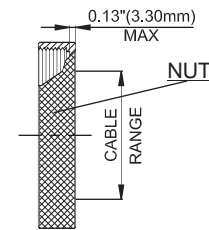
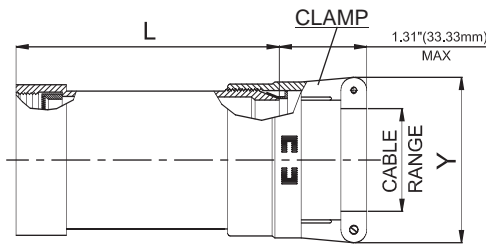
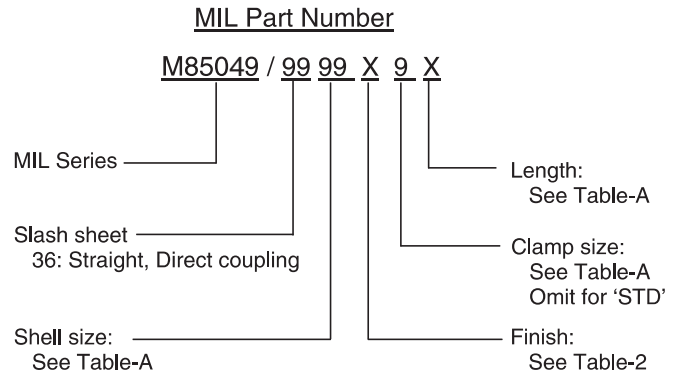
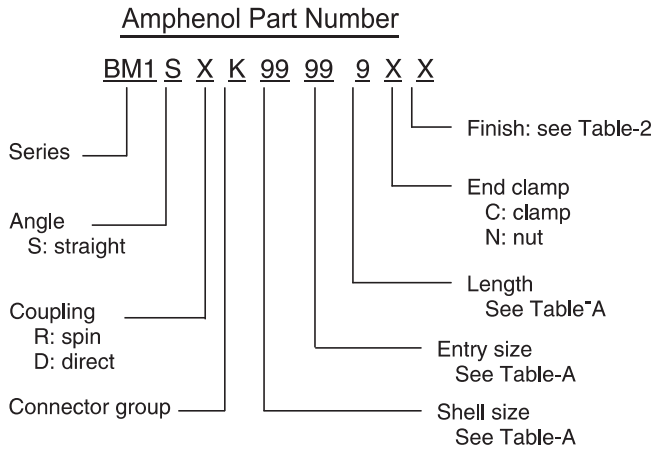
| TABLE - B                             |               |                                  |                         |         |       |         |       |             |       |      |       |
|---------------------------------------|---------------|----------------------------------|-------------------------|---------|-------|---------|-------|-------------|-------|------|-------|
| AMPHENOL<br>PART NUMBER<br>DESIGNATOR |               | MIL PART<br>NUMBER<br>DESIGNATOR | CONNECTOR<br>SHELL SIZE | F (MAX) |       | G (MAX) |       | CABLE RANGE |       |      |       |
| SHELL<br>SIZE                         | ENTRY<br>SIZE | DASH NO                          |                         | INCH    | MM    | INCH    | MM    | MIN         |       | MAX  |       |
|                                       |               |                                  |                         |         |       |         |       | INCH        | MM    | INCH | MM    |
| 32                                    | 01            | 23                               | 32                      | 2.67    | 67.82 | 1.77    | 44.96 | 0.63        | 15.88 | 0.94 | 23.80 |
|                                       | 02            | 24                               |                         | 2.67    | 67.82 | 2.11    | 53.67 | 0.88        | 22.23 | 1.25 | 31.75 |
|                                       | 03            | 25                               |                         | 2.32    | 58.93 | 2.77    | 70.36 | 1.25        | 31.75 | 1.63 | 41.28 |
|                                       | 04            | 62                               |                         | 2.67    | 67.82 | 2.36    | 60.02 | 1.00        | 25.40 | 1.38 | 34.93 |
| 36                                    | 01            | 26                               | 36                      | 2.76    | 70.10 | 1.77    | 44.96 | 0.63        | 15.88 | 0.94 | 23.80 |
|                                       | 02            | 27                               |                         | 2.76    | 70.10 | 2.36    | 60.02 | 1.00        | 25.40 | 1.38 | 34.93 |
|                                       | 03            | 28                               |                         | 2.41    | 61.21 | 3.02    | 76.71 | 1.44        | 36.50 | 1.84 | 46.74 |
|                                       | 04            | 47                               |                         | 2.76    | 70.10 | 1.55    | 39.40 | 0.50        | 12.70 | 0.75 | 19.05 |
|                                       | 05            | 63                               |                         | 2.76    | 70.10 | 2.11    | 53.67 | 0.88        | 22.23 | 1.25 | 31.75 |
|                                       | 06            | 64                               |                         | 2.76    | 70.10 | 2.77    | 70.36 | 1.25        | 31.75 | 1.63 | 41.28 |
| 40                                    | 01            | 29                               | 40                      | 2.76    | 70.10 | 1.77    | 44.96 | 0.63        | 15.88 | 0.94 | 23.80 |
|                                       | 02            | 30                               |                         | 2.76    | 70.10 | 2.36    | 60.02 | 1.00        | 25.40 | 1.38 | 34.93 |
|                                       | 03            | 31                               |                         | 2.41    | 61.21 | 3.02    | 76.71 | 1.44        | 36.50 | 1.88 | 47.63 |
|                                       | 04            | 48                               |                         | 2.76    | 70.10 | 1.55    | 39.40 | 0.50        | 12.70 | 0.75 | 19.05 |
|                                       | 05            | 65                               |                         | 2.76    | 70.10 | 2.11    | 53.67 | 0.88        | 22.23 | 1.25 | 31.75 |
|                                       | 06            | 66                               |                         | 2.76    | 70.10 | 2.77    | 70.36 | 1.25        | 31.75 | 1.63 | 41.28 |
| 44                                    | 01            | 32                               | 44                      | 2.76    | 70.10 | 1.77    | 44.96 | 0.63        | 15.88 | 0.94 | 23.80 |
|                                       | 02            | 33                               |                         | 2.76    | 70.10 | 2.36    | 60.02 | 1.00        | 25.40 | 1.38 | 34.93 |
|                                       | 03            | 34                               |                         | 2.41    | 61.21 | 3.02    | 76.71 | 1.44        | 36.50 | 1.88 | 47.63 |
|                                       | 04            | 67                               |                         | 2.76    | 70.10 | 2.11    | 53.67 | 0.88        | 22.23 | 1.25 | 31.75 |
|                                       | 05            | 68                               |                         | 2.76    | 70.10 | 2.77    | 70.36 | 1.25        | 31.75 | 1.63 | 41.28 |
| 48                                    | 01            | 35                               | 48                      | 2.76    | 70.10 | 1.77    | 44.96 | 0.63        | 15.88 | 0.94 | 23.80 |
|                                       | 02            | 36                               |                         | 2.76    | 70.10 | 2.36    | 60.02 | 1.00        | 25.40 | 1.38 | 34.93 |
|                                       | 03            | 37                               |                         | 2.41    | 61.21 | 3.02    | 76.71 | 1.44        | 36.50 | 1.88 | 47.63 |
|                                       | 04            | 69                               |                         | 2.76    | 70.10 | 2.11    | 53.67 | 0.88        | 22.23 | 1.25 | 31.75 |
|                                       | 05            | 70                               |                         | 2.76    | 70.10 | 2.77    | 70.36 | 1.25        | 31.75 | 1.63 | 41.28 |





### Connector Group - K

### Straight



**NOTE:** \* For more cable entry and length options, contact factory

| AMPHENOL PART NUMBER DESIGNATOR |            |        | MIL PART NUMBER DESIGNATOR |            |        | CONNECTOR SHELL SIZE SE - II / I | CABLE RANGE |       |      |       | L (MAX) |       | Y (MAX) |       |
|---------------------------------|------------|--------|----------------------------|------------|--------|----------------------------------|-------------|-------|------|-------|---------|-------|---------|-------|
| SHELL SIZE                      | ENTRY SIZE | LENGTH | ACCESSORY SHELL SIZE       | CLAMP SIZE | LENGTH |                                  | MIN         |       | MAX  |       | INCH    | MM    | INCH    | MM    |
|                                 |            |        |                            |            |        |                                  | INCH        | MM    | INCH | MM    |         |       |         |       |
| 08                              | 01         | 1      | 08                         | 1          | STD.   | 8 / 9                            | 0.06        | 1.57  | 0.13 | 3.18  | 1.53    | 38.86 | 0.78    | 19.81 |
|                                 |            | A      |                            |            | 2.53   |                                  |             |       |      |       | 64.26   |       |         |       |
|                                 | 02         | 1      |                            | 2          | STD.   |                                  | 0.13        | 3.18  | 0.25 | 6.35  | 1.53    | 38.86 | 0.97    | 24.64 |
|                                 |            | A      |                            |            | 2.53   |                                  |             |       |      |       | 64.26   |       |         |       |
| 10                              | 01         | 1      | 10                         | 1          | STD.   | 10 / 11                          | 0.06        | 1.57  | 0.13 | 3.18  | 1.53    | 38.86 | 0.78    | 19.81 |
|                                 |            | A      |                            |            | 2.53   |                                  |             |       |      |       | 64.26   |       |         |       |
|                                 | 02         | 1      |                            | 2          | STD.   |                                  | 0.13        | 3.18  | 0.25 | 6.35  | 1.53    | 38.86 | 0.97    | 24.64 |
|                                 |            | A      |                            |            | 2.53   |                                  |             |       |      |       | 64.26   |       |         |       |
|                                 | 03         | 1      |                            | 2          | STD.   |                                  | 0.25        | 6.35  | 0.38 | 9.53  | 1.53    | 38.86 | 1.06    | 26.92 |
|                                 |            | A      |                            |            | 2.53   |                                  |             |       |      |       | 64.26   |       |         |       |
| 12                              | 01         | 1      | 12                         | 2          | STD.   | 12 / 13                          | 0.13        | 3.18  | 0.25 | 6.35  | 1.53    | 38.86 | 0.97    | 24.64 |
|                                 |            | A      |                            |            | 2.53   |                                  |             |       |      |       | 64.26   |       |         |       |
|                                 | 02         | 1      |                            | 3          | STD.   |                                  | 0.25        | 6.35  | 0.38 | 9.53  | 1.53    | 38.86 | 1.06    | 26.92 |
|                                 |            | A      |                            |            | 2.53   |                                  |             |       |      |       | 64.26   |       |         |       |
|                                 | 03         | 1      |                            | 2          | STD.   |                                  | 0.31        | 7.92  | 0.50 | 12.70 | 1.53    | 38.86 | 1.16    | 29.46 |
|                                 |            | A      |                            |            | 2.53   |                                  |             |       |      |       | 64.26   |       |         |       |
| 14                              | 01         | 1      | 14                         | 2          | STD.   | 14 / 15                          | 0.13        | 3.18  | 0.25 | 6.35  | 1.53    | 38.86 | 0.97    | 24.64 |
|                                 |            | A      |                            |            | 2.53   |                                  |             |       |      |       | 64.26   |       |         |       |
|                                 |            | B      |                            |            | 3.53   |                                  |             |       |      |       | 89.66   |       |         |       |
|                                 | 02         | 1      |                            | 3          | STD.   |                                  | 0.25        | 6.35  | 0.38 | 9.53  | 1.53    | 38.86 | 1.06    | 26.92 |
|                                 |            | A      |                            |            | 2.53   |                                  |             |       |      |       | 64.26   |       |         |       |
|                                 |            | B      |                            |            | 3.53   |                                  |             |       |      |       | 89.66   |       |         |       |
|                                 | 03         | 1      |                            | 2          | STD.   |                                  | 0.31        | 7.92  | 0.50 | 12.70 | 1.53    | 38.86 | 1.16    | 29.46 |
|                                 |            | A      |                            |            | 2.53   |                                  |             |       |      |       | 64.26   |       |         |       |
|                                 |            | B      |                            |            | 3.53   |                                  |             |       |      |       | 89.66   |       |         |       |
|                                 | 04         | 1      |                            | 3          | STD.   |                                  | 0.44        | 11.10 | 0.63 | 15.88 | 1.53    | 38.86 | 1.25    | 31.75 |
|                                 |            | A      |                            |            | 2.53   |                                  |             |       |      |       | 64.26   |       |         |       |
|                                 |            | B      |                            |            | 3.53   |                                  |             |       |      |       | 89.66   |       |         |       |

Table Continued

### Connector Group - K

### Straight

| TABLE - A                       |            |        |                            |            |        |                                  |             |       |        |       |         |        |         |       |
|---------------------------------|------------|--------|----------------------------|------------|--------|----------------------------------|-------------|-------|--------|-------|---------|--------|---------|-------|
| AMPHENOL PART NUMBER DESIGNATOR |            |        | MIL PART NUMBER DESIGNATOR |            |        | CONNECTOR SHELL SIZE SE - II / I | CABLE RANGE |       |        |       | L (MAX) |        | Y (MAX) |       |
| SHELL SIZE                      | ENTRY SIZE | LENGTH | ACCESSORY SHELL SIZE       | CLAMP SIZE | LENGTH |                                  | MIN         |       | MAX    |       | INCH    | MM     | INCH    | MM    |
|                                 |            |        |                            |            |        |                                  | INCH        | MM    | INCH   | MM    |         |        |         |       |
| 16                              | 01         | 1      | 16                         | 2          | STD.   | 16 / 17                          | 0.13        | 3.18  | 0.25   | 6.35  | 1.53    | 38.86  | 0.97    | 24.64 |
|                                 |            | 2      |                            |            | A      |                                  |             |       |        |       | 2.53    | 64.26  |         |       |
|                                 |            | 3      |                            |            | B      |                                  |             |       |        |       | 3.53    | 89.66  |         |       |
|                                 | 02         | 1      |                            | 3          | STD.   |                                  | 0.25        | 6.35  | 0.38   | 9.53  | 1.53    | 38.86  | 1.06    | 26.92 |
|                                 |            | 2      |                            |            | A      |                                  |             |       |        |       | 2.53    | 64.26  |         |       |
|                                 |            | 3      |                            |            | B      |                                  |             |       |        |       | 3.53    | 89.66  |         |       |
|                                 | 03         | 1      |                            | 4          | STD.   |                                  | 0.31        | 7.92  | 0.50   | 12.70 | 1.53    | 38.86  | 1.16    | 29.46 |
|                                 |            | 2      |                            |            | A      |                                  |             |       |        |       | 2.53    | 64.26  |         |       |
|                                 |            | 3      |                            |            | B      |                                  |             |       |        |       | 3.53    | 89.66  |         |       |
|                                 | 04         | 1      |                            | 5          | STD.   |                                  | 0.44        | 11.10 | 0.63   | 15.88 | 1.53    | 38.86  | 1.25    | 31.75 |
|                                 |            | 2      |                            |            | A      |                                  |             |       |        |       | 2.53    | 64.26  |         |       |
|                                 |            | 3      |                            |            | B      |                                  |             |       |        |       | 3.53    | 89.66  |         |       |
|                                 | 05         | 1      |                            | 6          | STD.   |                                  | 0.56        | 14.27 | 0.75   | 19.05 | 1.53    | 38.86  | 1.38    | 35.05 |
|                                 |            | 2      |                            |            | A      |                                  |             |       |        |       | 2.53    | 64.26  |         |       |
|                                 |            | 3      |                            |            | B      |                                  |             |       |        |       | 3.53    | 89.66  |         |       |
| 18                              | 01         | 1      | 18                         | 3          | STD.   | 18 / 19                          | 0.25        | 6.35  | 0.38   | 9.53  | 1.53    | 38.86  | 1.06    | 26.92 |
|                                 |            | 2      |                            |            | A      |                                  |             |       |        |       | 2.53    | 64.26  |         |       |
|                                 |            | 3      |                            |            | B      |                                  |             |       |        |       | 3.53    | 89.66  |         |       |
|                                 | 02         | 1      |                            | 4          | STD.   |                                  | 0.31        | 7.92  | 0.50   | 12.70 | 1.53    | 38.86  | 1.16    | 29.46 |
|                                 |            | 2      |                            |            | A      |                                  |             |       |        |       | 2.53    | 64.26  |         |       |
|                                 |            | 3      |                            |            | B      |                                  |             |       |        |       | 3.53    | 89.66  |         |       |
|                                 | 03         | 1      |                            | 5          | STD.   |                                  | 0.44        | 11.10 | 0.63   | 15.88 | 1.53    | 38.86  | 1.25    | 31.75 |
|                                 |            | 2      |                            |            | A      |                                  |             |       |        |       | 2.53    | 64.26  |         |       |
|                                 |            | 3      |                            |            | B      |                                  |             |       |        |       | 3.53    | 89.66  |         |       |
|                                 | 04         | 1      |                            | 6          | STD.   |                                  | 0.56        | 14.27 | 0.75   | 19.05 | 1.53    | 38.86  | 1.38    | 35.05 |
|                                 |            | 2      |                            |            | A      |                                  |             |       |        |       | 2.53    | 64.26  |         |       |
|                                 |            | 3      |                            |            | B      |                                  |             |       |        |       | 3.53    | 89.66  |         |       |
|                                 | 05         | 1      |                            | 7          | STD.   |                                  | 0.69        | 17.45 | 0.88   | 22.23 | 1.53    | 38.86  | 1.50    | 38.10 |
|                                 |            | 2      |                            |            | A      |                                  |             |       |        |       | 2.53    | 64.26  |         |       |
|                                 |            | 3      |                            |            | B      |                                  |             |       |        |       | 3.53    | 89.66  |         |       |
| 20                              | 01         | 1      | 20                         | 3          | STD.   | 20 / 21                          | 0.25        | 6.35  | 0.38   | 9.53  | 1.53    | 38.86  | 1.06    | 26.92 |
|                                 |            | 2      |                            |            | A      |                                  |             |       |        |       | 2.53    | 64.26  |         |       |
|                                 |            | 3      |                            |            | B      |                                  |             |       |        |       | 3.53    | 89.66  |         |       |
|                                 | 02         | 4      |                            | C          | 4.53   |                                  | 115.06      |       |        |       |         |        |         |       |
|                                 |            | 1      |                            | 4          | STD.   |                                  | 0.31        | 7.92  | 0.50   | 12.70 | 1.53    | 38.86  | 1.16    | 29.46 |
|                                 |            | 2      |                            |            | A      |                                  |             |       |        |       | 2.53    | 64.26  |         |       |
|                                 |            | 3      |                            |            | B      |                                  |             |       |        |       | 3.53    | 89.66  |         |       |
|                                 | 4          | C      |                            |            | 4.53   |                                  |             |       |        |       | 115.06  |        |         |       |
|                                 | 03         | 1      |                            | 5          | STD.   |                                  | 0.44        | 11.10 | 0.63   | 15.88 | 1.53    | 38.86  | 1.25    | 31.75 |
|                                 |            | 2      |                            |            | A      |                                  |             |       |        |       | 2.53    | 64.26  |         |       |
|                                 |            | 3      |                            |            | B      |                                  |             |       |        |       | 3.53    | 89.66  |         |       |
|                                 |            | 4      |                            |            | C      |                                  |             |       |        |       | 4.53    | 115.06 |         |       |
|                                 | 04         | 1      |                            | 6          | STD.   |                                  | 0.56        | 14.27 | 0.75   | 19.05 | 1.53    | 38.86  | 1.38    | 35.05 |
|                                 |            | 2      |                            |            | A      |                                  |             |       |        |       | 2.53    | 64.26  |         |       |
|                                 |            | 3      |                            |            | B      |                                  |             |       |        |       | 3.53    | 89.66  |         |       |
|                                 |            | 4      |                            |            | C      |                                  |             |       |        |       | 4.53    | 115.06 |         |       |
|                                 | 05         | 1      |                            | 7          | STD.   |                                  | 0.69        | 17.45 | 0.88   | 22.23 | 1.53    | 38.86  | 1.50    | 38.10 |
|                                 |            | 2      |                            |            | A      |                                  |             |       |        |       | 2.53    | 64.26  |         |       |
| 3                               |            | B      | 3.53                       |            | 89.66  |                                  |             |       |        |       |         |        |         |       |
| 4                               |            | C      | 4.53                       |            | 115.06 |                                  |             |       |        |       |         |        |         |       |
| 06                              | 1          | 8      | STD.                       | 0.81       | 20.62  | 1.00                             | 25.40       | 1.53  | 38.86  | 1.63  | 41.40   |        |         |       |
|                                 | 2          |        | A                          |            |        |                                  |             | 2.53  | 64.26  |       |         |        |         |       |
|                                 | 3          |        | B                          |            |        |                                  |             | 3.53  | 89.66  |       |         |        |         |       |
|                                 | 4          |        | C                          |            |        |                                  |             | 4.53  | 115.06 |       |         |        |         |       |

Table Continued



### Connector Group - K

### Straight

TABLE - A

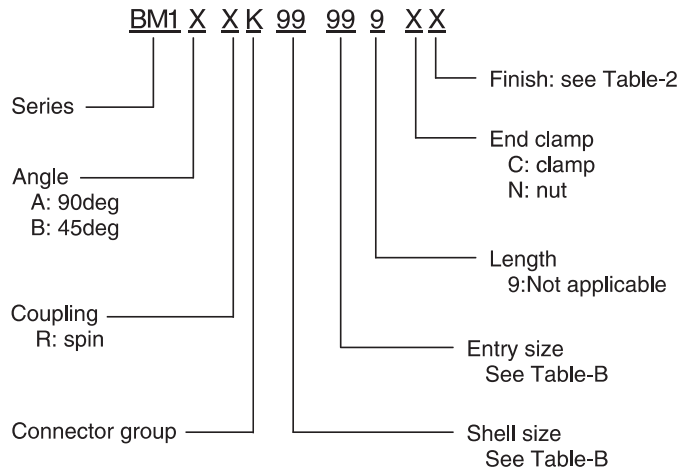
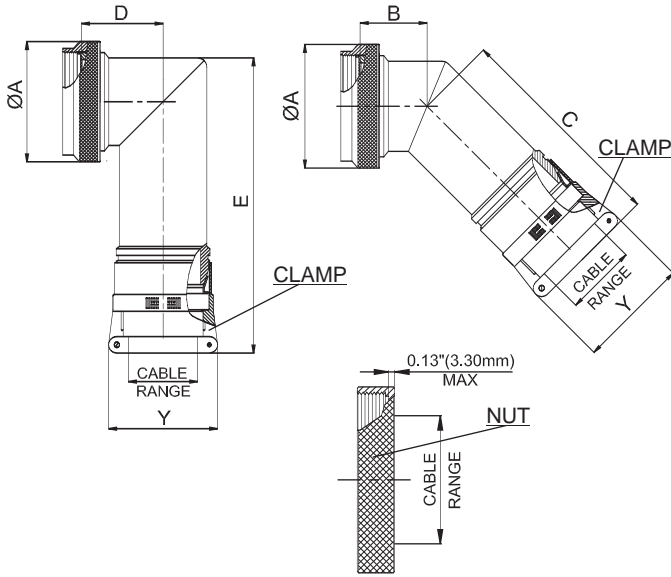
| AMPHENOL PART NUMBER DESIGNATOR |            |        | MIL PART NUMBER DESIGNATOR |            |        | CONNECTOR SHELL SIZE SE - II / I | CABLE RANGE |      |        |       | L (MAX) |        | Y (MAX) |       |       |      |       |
|---------------------------------|------------|--------|----------------------------|------------|--------|----------------------------------|-------------|------|--------|-------|---------|--------|---------|-------|-------|------|-------|
| SHELL SIZE                      | ENTRY SIZE | LENGTH | ACCESSORY SHELL SIZE       | CLAMP SIZE | LENGTH |                                  | MIN         |      | MAX    |       | INCH    | MM     | INCH    | MM    |       |      |       |
|                                 |            |        |                            |            |        |                                  | INCH        | MM   | INCH   | MM    |         |        |         |       |       |      |       |
| 22                              | 01         | 1      | 22                         | 3          | STD.   | 22 / 23                          | 0.25        | 6.35 | 0.38   | 9.53  | 1.53    | 38.86  | 1.06    | 26.92 |       |      |       |
|                                 |            | 2      |                            |            | A      |                                  |             |      |        |       | 2.53    | 64.26  |         |       |       |      |       |
|                                 |            | 3      |                            |            | B      |                                  |             |      |        |       | 3.53    | 89.66  |         |       |       |      |       |
|                                 |            | 4      |                            |            | C      |                                  |             |      |        |       | 4.53    | 115.06 |         |       |       |      |       |
|                                 | 02         | 1      |                            | 4          | STD.   |                                  | 4           | 1.53 | 38.86  | 0.31  | 7.92    | 0.50   | 12.70   | 2.53  | 64.26 | 1.16 | 29.46 |
|                                 |            | 2      |                            |            | A      |                                  |             | 3.53 | 89.66  |       |         |        |         |       |       |      |       |
|                                 |            | 3      |                            |            | B      |                                  |             | 4.53 | 115.06 |       |         |        |         |       |       |      |       |
|                                 |            | 4      |                            |            | C      |                                  |             | 1.53 | 38.86  |       |         |        |         |       |       |      |       |
|                                 | 03         | 1      |                            | 5          | STD.   |                                  | 5           | 1.53 | 38.86  | 0.44  | 11.10   | 0.63   | 15.88   | 2.53  | 64.26 | 1.25 | 31.75 |
|                                 |            | 2      |                            |            | A      |                                  |             | 3.53 | 89.66  |       |         |        |         |       |       |      |       |
|                                 |            | 3      |                            |            | B      |                                  |             | 4.53 | 115.06 |       |         |        |         |       |       |      |       |
|                                 |            | 4      |                            |            | C      |                                  |             | 1.53 | 38.86  |       |         |        |         |       |       |      |       |
|                                 | 04         | 1      |                            | 6          | STD.   |                                  | 6           | 1.53 | 38.86  | 0.56  | 14.27   | 0.75   | 19.05   | 2.53  | 64.26 | 1.38 | 35.05 |
|                                 |            | 2      |                            |            | A      |                                  |             | 3.53 | 89.66  |       |         |        |         |       |       |      |       |
|                                 |            | 3      |                            |            | B      |                                  |             | 4.53 | 115.06 |       |         |        |         |       |       |      |       |
|                                 |            | 4      |                            |            | C      |                                  |             | 1.53 | 38.86  |       |         |        |         |       |       |      |       |
|                                 | 05         | 1      |                            | 7          | STD.   |                                  | 7           | 1.53 | 38.86  | 0.69  | 17.45   | 0.88   | 22.23   | 2.53  | 64.26 | 1.50 | 38.10 |
|                                 |            | 2      |                            |            | A      |                                  |             | 3.53 | 89.66  |       |         |        |         |       |       |      |       |
|                                 |            | 3      |                            |            | B      |                                  |             | 4.53 | 115.06 |       |         |        |         |       |       |      |       |
|                                 |            | 4      |                            |            | C      |                                  |             | 1.53 | 38.86  |       |         |        |         |       |       |      |       |
|                                 | 06         | 1      |                            | 8          | STD.   |                                  | 8           | 1.53 | 38.86  | 0.81  | 20.62   | 1.00   | 25.40   | 2.53  | 64.26 | 1.63 | 41.40 |
|                                 |            | 2      |                            |            | A      |                                  |             | 3.53 | 89.66  |       |         |        |         |       |       |      |       |
|                                 |            | 3      |                            |            | B      |                                  |             | 4.53 | 115.06 |       |         |        |         |       |       |      |       |
|                                 |            | 4      |                            |            | C      |                                  |             | 1.53 | 38.86  |       |         |        |         |       |       |      |       |
|                                 | 07         | 1      |                            | 9          | STD.   |                                  | 9           | 1.53 | 38.86  | 0.94  | 23.80   | 1.13   | 28.58   | 2.53  | 64.26 | 1.75 | 44.45 |
|                                 |            | 2      |                            |            | A      |                                  |             | 3.53 | 89.66  |       |         |        |         |       |       |      |       |
|                                 |            | 3      |                            |            | B      |                                  |             | 4.53 | 115.06 |       |         |        |         |       |       |      |       |
|                                 |            | 4      |                            |            | C      |                                  |             | 0.31 | 7.92   |       |         |        |         |       |       |      |       |
| 24                              | 01         | 1      | 24                         | 4          | STD.   | 24 / 25                          | 0.31        | 7.92 | 0.50   | 12.70 | 1.53    | 38.86  | 1.16    | 29.46 |       |      |       |
|                                 |            | 2      |                            |            | A      |                                  |             |      |        |       | 2.53    | 64.26  |         |       |       |      |       |
|                                 |            | 3      |                            |            | B      |                                  |             |      |        |       | 3.53    | 89.66  |         |       |       |      |       |
|                                 |            | 4      |                            |            | C      |                                  |             |      |        |       | 4.53    | 115.06 |         |       |       |      |       |
|                                 | 02         | 1      |                            | 5          | STD.   |                                  | 5           | 1.53 | 38.86  | 0.44  | 11.10   | 0.63   | 15.88   | 2.53  | 64.26 | 1.25 | 31.75 |
|                                 |            | 2      |                            |            | A      |                                  |             | 3.53 | 89.66  |       |         |        |         |       |       |      |       |
|                                 |            | 3      |                            |            | B      |                                  |             | 4.53 | 115.06 |       |         |        |         |       |       |      |       |
|                                 |            | 4      |                            |            | C      |                                  |             | 1.53 | 38.86  |       |         |        |         |       |       |      |       |
|                                 | 03         | 1      |                            | 6          | STD.   |                                  | 6           | 1.53 | 38.86  | 0.56  | 14.27   | 0.75   | 19.05   | 2.53  | 64.26 | 1.38 | 35.05 |
|                                 |            | 2      |                            |            | A      |                                  |             | 3.53 | 89.66  |       |         |        |         |       |       |      |       |
|                                 |            | 3      |                            |            | B      |                                  |             | 4.53 | 115.06 |       |         |        |         |       |       |      |       |
|                                 |            | 4      |                            |            | C      |                                  |             | 1.53 | 38.86  |       |         |        |         |       |       |      |       |
|                                 | 04         | 1      |                            | 7          | STD.   |                                  | 7           | 1.53 | 38.86  | 0.69  | 17.45   | 0.88   | 22.23   | 2.53  | 64.26 | 1.50 | 38.10 |
|                                 |            | 2      |                            |            | A      |                                  |             | 3.53 | 89.66  |       |         |        |         |       |       |      |       |
|                                 |            | 3      |                            |            | B      |                                  |             | 4.53 | 115.06 |       |         |        |         |       |       |      |       |
|                                 |            | 4      |                            |            | C      |                                  |             | 1.53 | 38.86  |       |         |        |         |       |       |      |       |
|                                 | 05         | 1      |                            | 8          | STD.   |                                  | 8           | 1.53 | 38.86  | 0.81  | 20.62   | 1.00   | 25.40   | 2.53  | 64.26 | 1.63 | 41.40 |
|                                 |            | 2      |                            |            | A      |                                  |             | 3.53 | 89.66  |       |         |        |         |       |       |      |       |
|                                 |            | 3      |                            |            | B      |                                  |             | 4.53 | 115.06 |       |         |        |         |       |       |      |       |
|                                 |            | 4      |                            |            | C      |                                  |             | 1.53 | 38.86  |       |         |        |         |       |       |      |       |
|                                 | 06         | 1      |                            | 9          | STD.   |                                  | 9           | 1.53 | 38.86  | 0.94  | 23.80   | 1.13   | 28.58   | 2.53  | 64.26 | 1.75 | 44.45 |
|                                 |            | 2      |                            |            | A      |                                  |             | 3.53 | 89.66  |       |         |        |         |       |       |      |       |
|                                 |            | 3      |                            |            | B      |                                  |             | 4.53 | 115.06 |       |         |        |         |       |       |      |       |
|                                 |            | 4      |                            |            | C      |                                  |             | 1.53 | 38.86  |       |         |        |         |       |       |      |       |
|                                 | 07         | 1      |                            | 10         | STD.   |                                  | 10          | 1.53 | 38.86  | 1.06  | 26.97   | 1.25   | 31.75   | 2.53  | 64.26 | 1.88 | 47.75 |
|                                 |            | 2      |                            |            | A      |                                  |             | 3.53 | 89.66  |       |         |        |         |       |       |      |       |
|                                 |            | 3      |                            |            | B      |                                  |             | 4.53 | 115.06 |       |         |        |         |       |       |      |       |
|                                 |            | 4      |                            |            | C      |                                  |             |      |        |       |         |        |         |       |       |      |       |



### Connector Group - K

90°, 45°

#### Amphenol Part Number



**NOTE:** \* For more cable entry options, contact factory

**TABLE - B**

| AMPHENOL PART NUMBER DESIGNATOR | MIL PART NUMBER DESIGNATOR |    | CONNECTOR SHELL SIZE SE - II / I | CABLE RANGE |      |       |      | A DIA. (MAX) |      | B (MAX) |      | C (MAX) |      | D (MAX) |      | E (MAX) |      | Y (MAX) |      |       |
|---------------------------------|----------------------------|----|----------------------------------|-------------|------|-------|------|--------------|------|---------|------|---------|------|---------|------|---------|------|---------|------|-------|
|                                 |                            |    |                                  | MIN         |      | MAX   |      | INCH         | MM   | INCH    | MM   | INCH    | MM   | INCH    | MM   | INCH    | MM   | INCH    | MM   |       |
|                                 |                            |    |                                  | INCH        | MM   | INCH  | MM   |              |      |         |      |         |      |         |      |         |      |         |      |       |
| 08                              | 01                         | 08 | 1                                | 8 / 9       | 0.06 | 1.57  | 0.13 | 3.18         | 0.75 | 19.05   | 0.46 | 11.68   | 3.15 | 80.01   | 0.69 | 17.53   | 3.46 | 87.88   | 0.78 | 19.81 |
|                                 | 02                         |    | 2                                |             | 0.13 | 3.18  | 0.25 | 6.35         |      |         |      |         |      |         |      |         |      |         | 0.97 | 24.64 |
| 10                              | 01                         | 10 | 1                                | 10 / 11     | 0.06 | 1.57  | 0.13 | 3.18         | 0.85 | 21.59   | 0.52 | 13.21   | 3.21 | 81.53   | 0.78 | 19.81   | 3.58 | 90.93   | 0.78 | 19.81 |
|                                 | 02                         |    | 2                                |             | 0.13 | 3.18  | 0.25 | 6.35         |      |         |      |         |      |         |      |         |      |         | 0.97 | 24.64 |
|                                 | 03                         |    | 3                                |             | 0.25 | 6.35  | 0.38 | 9.53         |      |         |      |         |      |         |      |         |      |         | 1.06 | 26.92 |
| 12                              | 01                         | 12 | 2                                | 12 / 13     | 0.13 | 3.18  | 0.25 | 6.35         | 1.00 | 25.40   | 0.58 | 14.73   | 3.27 | 83.06   | 0.80 | 20.32   | 3.60 | 91.44   | 0.97 | 24.64 |
|                                 | 02                         |    | 3                                |             | 0.25 | 6.35  | 0.38 | 9.53         |      |         |      |         |      |         |      |         |      |         | 1.06 | 26.92 |
|                                 | 03                         |    | 4                                |             | 0.31 | 7.92  | 0.50 | 12.70        |      |         |      |         |      |         |      |         |      |         | 1.16 | 29.46 |
| 14                              | 01                         | 14 | 2                                | 14 / 15     | 0.13 | 3.18  | 0.25 | 6.35         | 1.15 | 29.21   | 0.65 | 16.51   | 3.36 | 85.34   | 0.88 | 22.35   | 3.67 | 93.22   | 0.97 | 24.64 |
|                                 | 02                         |    | 3                                |             | 0.25 | 6.35  | 0.38 | 9.53         |      |         |      |         |      |         |      |         |      |         | 1.06 | 26.92 |
|                                 | 03                         |    | 4                                |             | 0.31 | 7.92  | 0.50 | 12.70        |      |         |      |         |      |         |      |         |      |         | 1.16 | 29.46 |
|                                 | 04                         |    | 5                                |             | 0.44 | 11.10 | 0.63 | 15.88        |      |         |      |         |      |         |      |         |      |         | 1.25 | 31.75 |
| 16                              | 01                         | 16 | 2                                | 16 / 17     | 0.13 | 3.18  | 0.25 | 6.35         | 1.25 | 31.75   | 0.74 | 18.80   | 3.47 | 88.14   | 0.93 | 23.62   | 3.76 | 95.50   | 0.97 | 24.64 |
|                                 | 02                         |    | 3                                |             | 0.25 | 6.35  | 0.38 | 9.53         |      |         |      |         |      |         |      |         |      |         | 1.06 | 26.92 |
|                                 | 03                         |    | 4                                |             | 0.31 | 7.92  | 0.50 | 12.70        |      |         |      |         |      |         |      |         |      |         | 1.16 | 29.46 |
|                                 | 04                         |    | 5                                |             | 0.44 | 11.10 | 0.63 | 15.88        |      |         |      |         |      |         |      |         |      |         | 1.25 | 31.75 |
|                                 | 05                         |    | 6                                |             | 0.56 | 14.27 | 0.75 | 19.05        |      |         |      |         |      |         |      |         |      |         | 1.38 | 35.05 |
| 18                              | 01                         | 18 | 3                                | 18 / 19     | 0.25 | 6.35  | 0.38 | 9.53         | 1.40 | 35.56   | 0.93 | 23.62   | 3.66 | 92.96   | 1.01 | 25.65   | 3.93 | 99.82   | 1.06 | 26.92 |
|                                 | 02                         |    | 4                                |             | 0.31 | 7.92  | 0.50 | 12.70        |      |         |      |         |      |         |      |         |      |         | 1.16 | 29.46 |
|                                 | 03                         |    | 5                                |             | 0.44 | 11.10 | 0.63 | 15.88        |      |         |      |         |      |         |      |         |      |         | 1.25 | 31.75 |
|                                 | 04                         |    | 6                                |             | 0.56 | 14.27 | 0.75 | 19.05        |      |         |      |         |      |         |      |         |      |         | 1.38 | 35.05 |
|                                 | 05                         |    | 7                                |             | 0.69 | 17.45 | 0.88 | 22.23        |      |         |      |         |      |         |      |         |      |         | 1.50 | 38.10 |
| 20                              | 01                         | 20 | 3                                | 20 / 21     | 0.25 | 6.35  | 0.38 | 9.53         | 1.55 | 39.37   | 0.93 | 23.62   | 3.66 | 92.96   | 1.06 | 26.92   | 3.93 | 99.82   | 1.06 | 26.92 |
|                                 | 02                         |    | 4                                |             | 0.31 | 7.92  | 0.50 | 12.70        |      |         |      |         |      |         |      |         |      |         | 1.16 | 29.46 |
|                                 | 03                         |    | 5                                |             | 0.44 | 11.10 | 0.63 | 15.88        |      |         |      |         |      |         |      |         |      |         | 1.25 | 31.75 |
|                                 | 04                         |    | 6                                |             | 0.56 | 14.27 | 0.75 | 19.05        |      |         |      |         |      |         |      |         |      |         | 1.38 | 35.05 |
|                                 | 05                         |    | 7                                |             | 0.69 | 17.45 | 0.88 | 22.23        |      |         |      |         |      |         |      |         |      |         | 1.50 | 38.10 |
|                                 | 06                         |    | 8                                |             | 0.81 | 20.62 | 1.00 | 25.40        |      |         |      |         |      |         |      |         |      |         | 1.63 | 41.40 |

Table Continued

Connector Group - K

90°, 45°

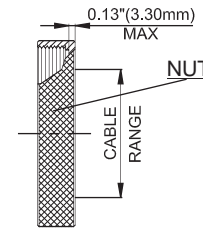
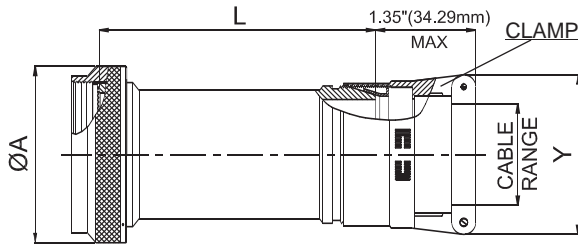
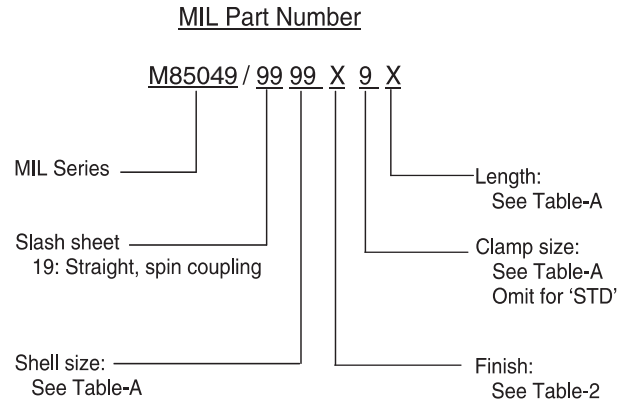
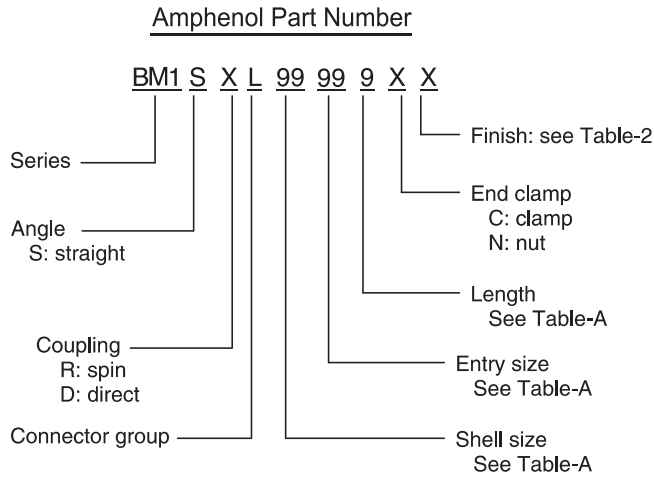
**TABLE - B**

| AMPHENOL PART NUMBER DESIGNATOR |            | MIL PART NUMBER DESIGNATOR |            | CONNECTOR SHELL SIZE SE - II / I | CABLE RANGE |       |      |       | A DIA. (MAX) |       | B (MAX) |       | C (MAX) |       | D (MAX) |       | E (MAX) |        | Y (MAX) |       |
|---------------------------------|------------|----------------------------|------------|----------------------------------|-------------|-------|------|-------|--------------|-------|---------|-------|---------|-------|---------|-------|---------|--------|---------|-------|
| SHELL SIZE                      | ENTRY SIZE | SHELL SIZE                 | CLAMP SIZE |                                  | MIN         |       | MAX  |       | INCH         | MM    | INCH    | MM    | INCH    | MM    | INCH    | MM    | INCH    | MM     | INCH    | MM    |
|                                 |            |                            |            |                                  | INCH        | MM    | INCH | MM    |              |       |         |       |         |       |         |       |         |        |         |       |
| 22                              | 01         | 22                         | 3          | 22 / 23                          | 0.25        | 6.35  | 0.38 | 9.53  | 1.65         | 41.91 | 1.02    | 25.91 | 3.81    | 96.77 | 1.17    | 29.72 | 4.04    | 102.62 | 1.06    | 26.92 |
|                                 | 02         |                            | 4          |                                  | 0.31        | 7.92  | 0.50 | 12.70 |              |       |         |       |         |       |         |       |         |        | 1.16    | 29.46 |
|                                 | 03         |                            | 5          |                                  | 0.44        | 11.10 | 0.63 | 15.88 |              |       |         |       |         |       |         |       |         |        | 1.25    | 31.75 |
|                                 | 04         |                            | 6          |                                  | 0.56        | 14.27 | 0.75 | 19.05 |              |       |         |       |         |       |         |       |         |        | 1.38    | 35.05 |
|                                 | 05         |                            | 7          |                                  | 0.69        | 17.45 | 0.88 | 22.23 |              |       |         |       |         |       |         |       |         |        | 1.50    | 38.10 |
|                                 | 06         |                            | 8          |                                  | 0.81        | 20.62 | 1.00 | 25.40 |              |       |         |       |         |       |         |       |         |        | 1.63    | 41.40 |
|                                 | 07         |                            | 9          |                                  | 0.94        | 23.80 | 1.13 | 28.58 |              |       |         |       |         |       |         |       |         |        | 1.75    | 44.45 |
| 24                              | 01         | 24                         | 4          | 24 / 25                          | 0.31        | 7.92  | 0.50 | 12.70 | 1.85         | 46.99 | 1.02    | 25.91 | 3.81    | 96.77 | 1.18    | 29.97 | 4.04    | 102.62 | 1.16    | 29.46 |
|                                 | 02         |                            | 5          |                                  | 0.44        | 11.10 | 0.63 | 15.88 |              |       |         |       |         |       |         |       |         |        | 1.25    | 31.75 |
|                                 | 03         |                            | 6          |                                  | 0.56        | 14.27 | 0.75 | 19.05 |              |       |         |       |         |       |         |       |         |        | 1.38    | 35.05 |
|                                 | 04         |                            | 7          |                                  | 0.69        | 17.45 | 0.88 | 22.23 |              |       |         |       |         |       |         |       |         |        | 1.50    | 38.10 |
|                                 | 05         |                            | 8          |                                  | 0.81        | 20.62 | 1.00 | 25.40 |              |       |         |       |         |       |         |       |         |        | 1.63    | 41.40 |
|                                 | 06         |                            | 9          |                                  | 0.94        | 23.80 | 1.13 | 28.58 |              |       |         |       |         |       |         |       |         |        | 1.75    | 44.45 |
|                                 | 07         |                            | 10         |                                  | 1.06        | 26.97 | 1.25 | 31.75 |              |       |         |       |         |       |         |       |         |        | 1.88    | 47.75 |



### Connector Group - L

### Straight



**NOTE:** \* For more cable entry and length options, contact factory

| AMPHENOL PART NUMBER DESIGNATOR |            | MIL PART NUMBER DESIGNATOR |                      |            |        | CONNECTOR SHELL SIZE/CODE (REF.) | CABLE RANGE |      |       |      | A DIA. (MAX) |       | L (MAX) |       | Y (MAX) |       |       |
|---------------------------------|------------|----------------------------|----------------------|------------|--------|----------------------------------|-------------|------|-------|------|--------------|-------|---------|-------|---------|-------|-------|
| SHELL SIZE                      | ENTRY SIZE | LENGTH                     | CONNECTOR SHELL SIZE | CLAMP SIZE | LENGTH |                                  | MIN         |      | MAX   |      | INCH         | MM    | INCH    | MM    | INCH    | MM    |       |
|                                 |            |                            |                      |            |        |                                  | INCH        | MM   | INCH  | MM   |              |       |         |       |         |       |       |
| 08                              | 01         | 1                          | 09                   | 1          | STD.   | 09 / A                           | 0.06        | 1.57 | 0.13  | 3.18 | 0.75         | 19.05 | 1.53    | 38.86 | 0.80    | 20.32 |       |
|                                 |            | 2                          |                      |            | A      |                                  |             |      |       |      |              |       | 2.53    | 64.26 |         |       |       |
|                                 | 02         | 1                          |                      | STD.       | 0.13   |                                  | 3.18        | 0.25 | 6.35  | 1.53 |              |       | 38.86   | 1.00  | 25.40   |       |       |
|                                 |            | 2                          |                      | A          |        |                                  |             |      |       | 2.53 |              |       | 64.26   |       |         |       |       |
| 10                              | 01         | 1                          | 11                   | 1          | STD.   | 11 / B                           | 0.06        | 1.57 | 0.13  | 3.18 | 0.85         | 21.59 | 1.53    | 38.86 | 0.80    | 20.32 |       |
|                                 |            | 2                          |                      |            | A      |                                  |             |      |       |      |              |       | 2.53    | 64.26 |         |       |       |
|                                 | 02         | 1                          |                      | STD.       | 0.13   |                                  | 3.18        | 0.25 | 6.35  | 1.53 |              |       | 38.86   | 1.00  | 25.40   |       |       |
|                                 |            | 2                          |                      | A          |        |                                  |             |      |       | 2.53 |              |       | 64.26   |       |         |       |       |
|                                 | 03         | 1                          |                      | 1          | 3      |                                  | STD.        | 0.25 | 6.35  | 0.38 |              |       | 9.53    | 1.53  | 38.86   | 1.10  | 27.94 |
|                                 |            |                            |                      | 2          |        |                                  | A           |      |       |      |              |       |         | 2.53  | 64.26   |       |       |
| 2                               |            | 1                          | STD.                 | 0.31       |        | 7.92                             | 0.50        |      |       |      | 12.70        | 1.53  |         | 38.86 | 1.20    | 30.48 |       |
|                                 |            | 2                          | A                    |            |        |                                  |             |      |       |      |              | 2.53  |         | 64.26 |         |       |       |
| 12                              | 01         | 1                          | 13                   | 2          | STD.   | 13 / C                           | 0.13        | 3.18 | 0.25  | 6.35 | 1.00         | 25.40 | 1.53    | 38.86 | 1.00    | 25.40 |       |
|                                 |            | 2                          |                      |            | A      |                                  |             |      |       |      |              |       | 2.53    | 64.26 |         |       |       |
|                                 | 02         | 1                          |                      | STD.       | 0.25   |                                  | 6.35        | 0.38 | 9.53  | 1.53 |              |       | 38.86   | 1.10  | 27.94   |       |       |
|                                 |            | 2                          |                      | A          |        |                                  |             |      |       | 2.53 |              |       | 64.26   |       |         |       |       |
|                                 | 03         | 1                          |                      | 1          | 4      |                                  | STD.        | 0.31 | 7.92  | 0.50 |              |       | 12.70   | 1.53  | 38.86   | 1.20  | 30.48 |
|                                 |            |                            |                      | 2          |        |                                  | A           |      |       |      |              |       |         | 2.53  | 64.26   |       |       |
| 2                               |            | 1                          | STD.                 | 0.44       |        | 11.10                            | 0.63        |      |       |      | 15.88        | 1.53  |         | 38.86 | 1.25    | 31.75 |       |
|                                 |            | 2                          | A                    |            |        |                                  |             |      |       |      |              | 2.53  |         | 64.26 |         |       |       |
| 14                              | 01         | 1                          | 15                   | 2          | STD.   | 15 / D                           | 0.13        | 3.18 | 0.25  | 6.35 | 1.10         | 27.94 | 1.53    | 38.86 | 1.00    | 25.40 |       |
|                                 |            | 2                          |                      |            | A      |                                  |             |      |       |      |              |       | 2.53    | 64.26 |         |       |       |
|                                 |            | 3                          |                      |            | B      |                                  |             |      |       |      |              |       | 3.53    | 89.66 |         |       |       |
|                                 | 02         | 1                          |                      | STD.       | 3      |                                  | A           | 0.25 | 6.35  | 0.38 |              |       | 9.53    | 1.53  | 38.86   | 1.10  | 27.94 |
|                                 |            | 2                          |                      | A          |        |                                  |             |      |       |      |              |       |         | 2.53  | 64.26   |       |       |
|                                 |            | 3                          |                      | B          |        |                                  |             |      |       |      |              |       |         | 3.53  | 89.66   |       |       |
|                                 | 03         | 1                          |                      | 1          | 4      |                                  | STD.        | 0.31 | 7.92  | 0.50 |              |       | 12.70   | 1.53  | 38.86   | 1.20  | 30.48 |
|                                 |            |                            |                      | 2          |        |                                  |             |      |       |      |              |       |         | A     | 2.53    |       |       |
|                                 |            | 3                          |                      | B          |        |                                  | 3.53        |      |       |      |              |       |         | 89.66 |         |       |       |
|                                 | 04         | 1                          |                      | 1          | 5      |                                  | STD.        | 0.44 | 11.10 | 0.63 |              |       | 15.88   | 1.53  | 38.86   | 1.25  | 31.75 |
|                                 |            |                            |                      | 2          |        |                                  |             |      |       |      |              |       |         | A     | 2.53    |       |       |
|                                 |            | 3                          |                      | B          |        |                                  | 3.53        |      |       |      |              |       |         | 89.66 |         |       |       |

Table Continued

### Connector Group - L

### Straight

TABLE - A

| AMPHENOL PART NUMBER DESIGNATOR |            |        | MIL PART NUMBER DESIGNATOR |            |        | CONNECTOR SHELL SIZE/CODE (REF.) | CABLE RANGE |       |       |       | A DIA. (MAX) |       | L (MAX) |        | Y (MAX) |       |       |
|---------------------------------|------------|--------|----------------------------|------------|--------|----------------------------------|-------------|-------|-------|-------|--------------|-------|---------|--------|---------|-------|-------|
| SHELL SIZE                      | ENTRY SIZE | LENGTH | CONNECTOR SHELL SIZE       | CLAMP SIZE | LENGTH |                                  | MIN         |       | MAX   |       | INCH         | MM    | INCH    | MM     | INCH    | MM    |       |
|                                 |            |        |                            |            |        |                                  | INCH        | MM    | INCH  | MM    |              |       |         |        |         |       |       |
| 16                              | 01         | 1      | 17                         | 2          | STD.   | 17 / E                           | 0.13        | 3.18  | 0.25  | 6.35  | 1.25         | 31.75 | 1.53    | 38.86  | 1.00    | 25.40 |       |
|                                 |            | 2      |                            |            | A      |                                  |             |       |       |       |              |       | 2.53    | 64.26  |         |       |       |
|                                 |            | 3      |                            |            | B      |                                  |             |       |       |       |              |       | 3.53    | 89.66  |         |       |       |
|                                 | 02         | 1      |                            | STD.       | 3      |                                  | STD.        | 0.25  | 6.35  | 0.38  |              |       | 9.53    | 1.53   | 38.86   | 1.10  | 27.94 |
|                                 |            | 2      |                            | A          |        |                                  | 2.53        |       |       |       |              |       |         | 64.26  |         |       |       |
|                                 |            | 3      |                            | B          |        |                                  | 3.53        |       |       |       |              |       |         | 89.66  |         |       |       |
|                                 | 03         | 1      |                            | STD.       | 4      |                                  | STD.        | 0.31  | 7.92  | 0.50  |              |       | 12.70   | 1.53   | 38.86   | 1.20  | 30.48 |
|                                 |            | 2      |                            | A          |        |                                  | 2.53        |       |       |       |              |       |         | 64.26  |         |       |       |
|                                 |            | 3      |                            | B          |        |                                  | 3.53        |       |       |       |              |       |         | 89.66  |         |       |       |
|                                 | 04         | 1      |                            | STD.       | 5      |                                  | STD.        | 0.44  | 11.10 | 0.63  |              |       | 15.88   | 1.53   | 38.86   | 1.25  | 31.75 |
|                                 |            | 2      |                            | A          |        |                                  | 2.53        |       |       |       |              |       |         | 64.26  |         |       |       |
|                                 |            | 3      |                            | B          |        |                                  | 3.53        |       |       |       |              |       |         | 89.66  |         |       |       |
| 05                              | 1          | STD.   | 6                          | STD.       | 0.56   | 14.27                            | 0.75        | 19.05 | 1.53  | 38.86 | 1.40         | 35.56 |         |        |         |       |       |
|                                 | 2          | A      |                            | 2.53       |        |                                  |             |       | 64.26 |       |              |       |         |        |         |       |       |
|                                 | 3          | B      |                            | 3.53       |        |                                  |             |       | 89.66 |       |              |       |         |        |         |       |       |
| 18                              | 01         | 1      | 19                         | 3          | STD.   | 19 / F                           | 0.25        | 6.35  | 0.38  | 9.53  | 1.40         | 35.56 | 1.53    | 38.86  | 1.10    | 27.94 |       |
|                                 |            | 2      |                            |            | A      |                                  |             |       |       |       |              |       | 2.53    | 64.26  |         |       |       |
|                                 |            | 3      |                            |            | B      |                                  |             |       |       |       |              |       | 3.53    | 89.66  |         |       |       |
|                                 | 02         | 1      |                            | STD.       | 4      |                                  | STD.        | 0.31  | 7.92  | 0.50  |              |       | 12.70   | 1.53   | 38.86   | 1.20  | 30.48 |
|                                 |            | 2      |                            | A          |        |                                  | 2.53        |       |       |       |              |       |         | 64.26  |         |       |       |
|                                 |            | 3      |                            | B          |        |                                  | 3.53        |       |       |       |              |       |         | 89.66  |         |       |       |
|                                 | 03         | 1      |                            | STD.       | 5      |                                  | STD.        | 0.44  | 11.10 | 0.63  |              |       | 15.88   | 1.53   | 38.86   | 1.25  | 31.75 |
|                                 |            | 2      |                            | A          |        |                                  | 2.53        |       |       |       |              |       |         | 64.26  |         |       |       |
|                                 |            | 3      |                            | B          |        |                                  | 3.53        |       |       |       |              |       |         | 89.66  |         |       |       |
|                                 | 04         | 1      |                            | STD.       | 6      |                                  | STD.        | 0.56  | 14.27 | 0.75  |              |       | 19.05   | 1.53   | 38.86   | 1.40  | 35.56 |
|                                 |            | 2      |                            | A          |        |                                  | 2.53        |       |       |       |              |       |         | 64.26  |         |       |       |
|                                 |            | 3      |                            | B          |        |                                  | 3.53        |       |       |       |              |       |         | 89.66  |         |       |       |
| 05                              | 1          | STD.   | 7                          | STD.       | 0.69   | 17.45                            | 0.88        | 22.23 | 1.53  | 38.86 | 1.50         | 38.10 |         |        |         |       |       |
|                                 | 2          | A      |                            | 2.53       |        |                                  |             |       | 64.26 |       |              |       |         |        |         |       |       |
|                                 | 3          | B      |                            | 3.53       |        |                                  |             |       | 89.66 |       |              |       |         |        |         |       |       |
| 20                              | 01         | 1      | 21                         | 3          | STD.   | 21 / G                           | 0.25        | 6.35  | 0.38  | 9.53  | 1.50         | 38.10 | 1.53    | 38.86  | 1.10    | 27.94 |       |
|                                 |            | 2      |                            |            | A      |                                  |             |       |       |       |              |       | 2.53    | 64.26  |         |       |       |
|                                 |            | 3      |                            |            | B      |                                  |             |       |       |       |              |       | 3.53    | 89.66  |         |       |       |
|                                 |            | 4      |                            |            | C      |                                  |             |       |       |       |              |       | 4.53    | 115.06 |         |       |       |
|                                 | 02         | 1      |                            | STD.       | 4      |                                  | STD.        | 0.31  | 7.92  | 0.50  |              |       | 12.70   | 1.53   | 38.86   | 1.20  | 30.48 |
|                                 |            | 2      |                            | A          |        |                                  | 2.53        |       |       |       |              |       |         | 64.26  |         |       |       |
|                                 |            | 3      |                            | B          |        |                                  | 3.53        |       |       |       |              |       |         | 89.66  |         |       |       |
|                                 |            | 4      |                            | C          |        |                                  | 4.53        |       |       |       |              |       |         | 115.06 |         |       |       |
|                                 | 03         | 1      |                            | STD.       | 5      |                                  | STD.        | 0.44  | 11.10 | 0.63  |              |       | 15.88   | 1.53   | 38.86   | 1.25  | 31.75 |
|                                 |            | 2      |                            | A          |        |                                  | 2.53        |       |       |       |              |       |         | 64.26  |         |       |       |
|                                 |            | 3      |                            | B          |        |                                  | 3.53        |       |       |       |              |       |         | 89.66  |         |       |       |
|                                 |            | 4      |                            | C          |        |                                  | 4.53        |       |       |       |              |       |         | 115.06 |         |       |       |
|                                 | 04         | 1      |                            | STD.       | 6      |                                  | STD.        | 0.56  | 14.27 | 0.75  |              |       | 19.05   | 1.53   | 38.86   | 1.40  | 35.56 |
|                                 |            | 2      |                            | A          |        |                                  | 2.53        |       |       |       |              |       |         | 64.26  |         |       |       |
|                                 |            | 3      |                            | B          |        |                                  | 3.53        |       |       |       |              |       |         | 89.66  |         |       |       |
|                                 |            | 4      |                            | C          |        |                                  | 4.53        |       |       |       |              |       |         | 115.06 |         |       |       |
|                                 | 05         | 1      |                            | STD.       | 7      |                                  | STD.        | 0.69  | 17.45 | 0.88  |              |       | 22.23   | 1.53   | 38.86   | 1.50  | 38.10 |
|                                 |            | 2      |                            | A          |        |                                  | 2.53        |       |       |       |              |       |         | 64.26  |         |       |       |
|                                 |            | 3      |                            | B          |        |                                  | 3.53        |       |       |       |              |       |         | 89.66  |         |       |       |
|                                 |            | 4      |                            | C          |        |                                  | 4.53        |       |       |       |              |       |         | 115.06 |         |       |       |
|                                 | 06         | 1      |                            | STD.       | 8      |                                  | STD.        | 0.81  | 20.62 | 1.00  |              |       | 25.40   | 1.53   | 38.86   | 1.65  | 41.91 |
|                                 |            | 2      |                            | A          |        |                                  | 2.53        |       |       |       |              |       |         | 64.26  |         |       |       |
|                                 |            | 3      |                            | B          |        |                                  | 3.53        |       |       |       |              |       |         | 89.66  |         |       |       |
|                                 |            | 4      |                            | C          |        |                                  | 4.53        |       |       |       |              |       |         | 115.06 |         |       |       |

Table Continued



Connector Group - L

Straight

TABLE - A

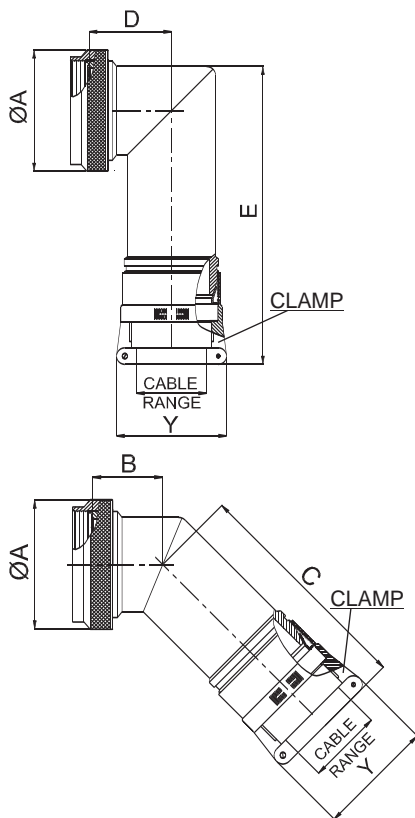
| AMPHENOL PART NUMBER DESIGNATOR |            |        | MIL PART NUMBER DESIGNATOR |            |        | CONNECTOR SHELL SIZE/CODE (REF.) | CABLE RANGE |       |        |       | A DIA. (MAX) |       | L (MAX) |        | Y (MAX) |       |       |
|---------------------------------|------------|--------|----------------------------|------------|--------|----------------------------------|-------------|-------|--------|-------|--------------|-------|---------|--------|---------|-------|-------|
| SHELL SIZE                      | ENTRY SIZE | LENGTH | CONNECTOR SHELL SIZE       | CLAMP SIZE | LENGTH |                                  | MIN         |       | MAX    |       | INCH         | MM    | INCH    | MM     | INCH    | MM    |       |
|                                 |            |        |                            |            |        |                                  | INCH        | MM    | INCH   | MM    |              |       |         |        |         |       |       |
| 22                              | 01         | 1      | 23                         | 3          | STD.   | 23 / H                           | 0.25        | 6.35  | 0.38   | 9.53  | 1.65         | 41.91 | 1.53    | 38.86  | 1.10    | 27.94 |       |
|                                 |            | 2      |                            |            | A      |                                  |             |       |        |       |              |       | 2.53    | 64.26  |         |       |       |
|                                 |            | 3      |                            |            | B      |                                  |             |       |        |       |              |       | 3.53    | 89.66  |         |       |       |
|                                 |            | 4      |                            |            | C      |                                  |             |       |        |       |              |       | 4.53    | 115.06 |         |       |       |
|                                 | 02         | 1      |                            | STD.       | 4      |                                  | STD.        | 0.31  | 7.92   | 0.50  |              |       | 12.70   | 1.53   | 38.86   | 1.20  | 30.48 |
|                                 |            | 2      |                            | A          |        |                                  | 2.53        |       |        |       |              |       |         | 64.26  |         |       |       |
|                                 |            | 3      |                            | B          |        |                                  | 3.53        |       |        |       |              |       |         | 89.66  |         |       |       |
|                                 |            | 4      |                            | C          |        |                                  | 4.53        |       |        |       |              |       |         | 115.06 |         |       |       |
|                                 | 03         | 1      |                            | STD.       | 5      |                                  | STD.        | 0.44  | 11.10  | 0.63  |              |       | 15.88   | 1.53   | 38.86   | 1.25  | 31.75 |
|                                 |            | 2      |                            | A          |        |                                  | 2.53        |       |        |       |              |       |         | 64.26  |         |       |       |
|                                 |            | 3      |                            | B          |        |                                  | 3.53        |       |        |       |              |       |         | 89.66  |         |       |       |
|                                 |            | 4      |                            | C          |        |                                  | 4.53        |       |        |       |              |       |         | 115.06 |         |       |       |
|                                 | 04         | 1      |                            | STD.       | 6      |                                  | STD.        | 0.56  | 14.27  | 0.75  |              |       | 19.05   | 1.53   | 38.86   | 1.40  | 35.56 |
|                                 |            | 2      |                            | A          |        |                                  | 2.53        |       |        |       |              |       |         | 64.26  |         |       |       |
|                                 |            | 3      |                            | B          |        |                                  | 3.53        |       |        |       |              |       |         | 89.66  |         |       |       |
|                                 |            | 4      |                            | C          |        |                                  | 4.53        |       |        |       |              |       |         | 115.06 |         |       |       |
|                                 | 05         | 1      |                            | STD.       | 7      |                                  | STD.        | 0.69  | 17.45  | 0.88  |              |       | 22.23   | 1.53   | 38.86   | 1.50  | 38.10 |
|                                 |            | 2      |                            | A          |        |                                  | 2.53        |       |        |       |              |       |         | 64.26  |         |       |       |
|                                 |            | 3      |                            | B          |        |                                  | 3.53        |       |        |       |              |       |         | 89.66  |         |       |       |
|                                 |            | 4      |                            | C          |        |                                  | 4.53        |       |        |       |              |       |         | 115.06 |         |       |       |
|                                 | 06         | 1      |                            | STD.       | 8      |                                  | STD.        | 0.81  | 20.62  | 1.00  |              |       | 25.40   | 1.53   | 38.86   | 1.65  | 41.91 |
|                                 |            | 2      |                            | A          |        |                                  | 2.53        |       |        |       |              |       |         | 64.26  |         |       |       |
|                                 |            | 3      |                            | B          |        |                                  | 3.53        |       |        |       |              |       |         | 89.66  |         |       |       |
|                                 |            | 4      |                            | C          |        |                                  | 4.53        |       |        |       |              |       |         | 115.06 |         |       |       |
| 07                              | 1          | STD.   | 9                          | STD.       | 0.94   | 23.80                            | 1.13        | 28.58 | 1.53   | 38.86 | 1.75         | 44.45 |         |        |         |       |       |
|                                 | 2          | A      |                            | 2.53       |        |                                  |             |       | 64.26  |       |              |       |         |        |         |       |       |
|                                 | 3          | B      |                            | 3.53       |        |                                  |             |       | 89.66  |       |              |       |         |        |         |       |       |
|                                 | 4          | C      |                            | 4.53       |        |                                  |             |       | 115.06 |       |              |       |         |        |         |       |       |
| 24                              | 01         | 1      | 25                         | 4          | STD.   | 25 / J                           | 0.31        | 7.92  | 0.50   | 12.70 | 1.75         | 44.45 | 1.53    | 38.86  | 1.20    | 30.48 |       |
|                                 |            | 2      |                            |            | A      |                                  |             |       |        |       |              |       | 2.53    | 64.26  |         |       |       |
|                                 |            | 3      |                            |            | B      |                                  |             |       |        |       |              |       | 3.53    | 89.66  |         |       |       |
|                                 |            | 4      |                            |            | C      |                                  |             |       |        |       |              |       | 4.53    | 115.06 |         |       |       |
|                                 | 02         | 1      |                            | STD.       | 5      |                                  | STD.        | 0.44  | 11.10  | 0.63  |              |       | 15.88   | 1.53   | 38.86   | 1.25  | 31.75 |
|                                 |            | 2      |                            | A          |        |                                  | 2.53        |       |        |       |              |       |         | 64.26  |         |       |       |
|                                 |            | 3      |                            | B          |        |                                  | 3.53        |       |        |       |              |       |         | 89.66  |         |       |       |
|                                 |            | 4      |                            | C          |        |                                  | 4.53        |       |        |       |              |       |         | 115.06 |         |       |       |
|                                 | 03         | 1      |                            | STD.       | 6      |                                  | STD.        | 0.56  | 14.27  | 0.75  |              |       | 19.05   | 1.53   | 38.86   | 1.40  | 35.56 |
|                                 |            | 2      |                            | A          |        |                                  | 2.53        |       |        |       |              |       |         | 64.26  |         |       |       |
|                                 |            | 3      |                            | B          |        |                                  | 3.53        |       |        |       |              |       |         | 89.66  |         |       |       |
|                                 |            | 4      |                            | C          |        |                                  | 4.53        |       |        |       |              |       |         | 115.06 |         |       |       |
|                                 | 04         | 1      |                            | STD.       | 7      |                                  | STD.        | 0.69  | 17.45  | 0.88  |              |       | 22.23   | 1.53   | 38.86   | 1.50  | 38.10 |
|                                 |            | 2      |                            | A          |        |                                  | 2.53        |       |        |       |              |       |         | 64.26  |         |       |       |
|                                 |            | 3      |                            | B          |        |                                  | 3.53        |       |        |       |              |       |         | 89.66  |         |       |       |
|                                 |            | 4      |                            | C          |        |                                  | 4.53        |       |        |       |              |       |         | 115.06 |         |       |       |
|                                 | 05         | 1      |                            | STD.       | 8      |                                  | STD.        | 0.81  | 20.62  | 1.00  |              |       | 25.40   | 1.53   | 38.86   | 1.65  | 41.91 |
|                                 |            | 2      |                            | A          |        |                                  | 2.53        |       |        |       |              |       |         | 64.26  |         |       |       |
|                                 |            | 3      |                            | B          |        |                                  | 3.53        |       |        |       |              |       |         | 89.66  |         |       |       |
|                                 |            | 4      |                            | C          |        |                                  | 4.53        |       |        |       |              |       |         | 115.06 |         |       |       |
|                                 | 06         | 1      |                            | STD.       | 9      |                                  | STD.        | 0.94  | 23.80  | 1.13  |              |       | 28.58   | 1.53   | 38.86   | 1.75  | 44.45 |
|                                 |            | 2      |                            | A          |        |                                  | 2.53        |       |        |       |              |       |         | 64.26  |         |       |       |
|                                 |            | 3      |                            | B          |        |                                  | 3.53        |       |        |       |              |       |         | 89.66  |         |       |       |
|                                 |            | 4      |                            | C          |        |                                  | 4.53        |       |        |       |              |       |         | 115.06 |         |       |       |
|                                 | 07         | 1      |                            | STD.       | 10     |                                  | STD.        | 1.06  | 26.97  | 1.25  |              |       | 31.75   | 1.53   | 38.86   | 1.90  | 48.26 |
|                                 |            | 2      |                            | A          |        |                                  | 2.53        |       |        |       |              |       |         | 64.26  |         |       |       |
|                                 |            | 3      |                            | B          |        |                                  | 3.53        |       |        |       |              |       |         | 89.66  |         |       |       |
|                                 |            | 4      |                            | C          |        |                                  | 4.53        |       |        |       |              |       |         | 115.06 |         |       |       |



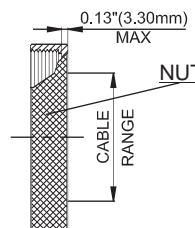
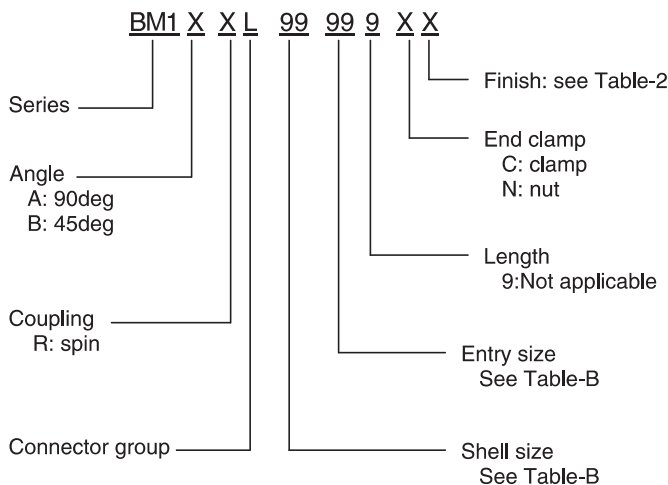


### Connector Group - L

90°, 45°



#### Amphenol Part Number



NOTE: \* For more cable entry options, contact factory

TABLE - B

| AMPHENOL PART NUMBER DESIGNATOR |            | CONNECTOR SHELL SIZE/CODE (REF.) | CABLE RANGE |       |      |       | A DIA. (MAX) |       | B (MAX) |       | C (MAX) |       | D (MAX) |       | E (MAX) |       | Y (MAX) |       |
|---------------------------------|------------|----------------------------------|-------------|-------|------|-------|--------------|-------|---------|-------|---------|-------|---------|-------|---------|-------|---------|-------|
| SHELL SIZE                      | ENTRY SIZE |                                  | MIN         |       | MAX  |       | INCH         | MM    | INCH    | MM    | INCH    | MM    | INCH    | MM    | INCH    | MM    | INCH    | MM    |
|                                 |            |                                  | INCH        | MM    | INCH | MM    |              |       |         |       |         |       |         |       |         |       |         |       |
| 08                              | 01         | 09 / A                           | 0.06        | 1.57  | 0.13 | 3.18  | 0.75         | 19.05 | 0.46    | 11.68 | 3.15    | 80.01 | 0.69    | 17.53 | 3.46    | 87.88 | 0.80    | 20.32 |
|                                 | 02         |                                  | 0.13        | 3.18  | 0.25 | 6.35  |              |       |         |       |         |       |         |       |         |       | 1.00    | 25.40 |
| 10                              | 01         | 11 / B                           | 0.06        | 1.57  | 0.13 | 3.18  | 0.85         | 21.59 | 0.52    | 13.21 | 3.21    | 81.53 | 0.78    | 19.81 | 3.58    | 90.93 | 0.80    | 20.32 |
|                                 | 02         |                                  | 0.13        | 3.18  | 0.25 | 6.35  |              |       |         |       |         |       |         |       |         |       | 1.00    | 25.40 |
|                                 | 03         |                                  | 0.25        | 6.35  | 0.38 | 9.53  |              |       |         |       |         |       |         |       |         |       | 1.10    | 27.94 |
| 12                              | 01         | 13 / C                           | 0.13        | 3.18  | 0.25 | 6.35  | 1.00         | 25.40 | 0.58    | 14.73 | 3.27    | 83.06 | 0.80    | 20.32 | 3.60    | 91.44 | 1.00    | 25.40 |
|                                 | 02         |                                  | 0.25        | 6.35  | 0.38 | 9.53  |              |       |         |       |         |       |         |       |         |       | 1.10    | 27.94 |
|                                 | 03         |                                  | 0.31        | 7.92  | 0.50 | 12.70 |              |       |         |       |         |       |         |       |         |       | 1.20    | 30.48 |
| 14                              | 01         | 15 / D                           | 0.13        | 3.18  | 0.25 | 6.35  | 1.15         | 29.21 | 0.65    | 16.51 | 3.36    | 85.34 | 0.88    | 22.35 | 3.67    | 93.22 | 1.00    | 25.40 |
|                                 | 02         |                                  | 0.25        | 6.35  | 0.38 | 9.53  |              |       |         |       |         |       |         |       |         |       | 1.10    | 27.94 |
|                                 | 03         |                                  | 0.31        | 7.92  | 0.50 | 12.70 |              |       |         |       |         |       |         |       |         |       | 1.20    | 30.48 |
|                                 | 04         |                                  | 0.44        | 11.10 | 0.63 | 15.88 |              |       |         |       |         |       |         |       |         |       | 1.25    | 31.75 |
| 16                              | 01         | 17 / E                           | 0.13        | 3.18  | 0.25 | 6.35  | 1.25         | 31.75 | 0.74    | 18.80 | 3.47    | 88.14 | 0.93    | 23.62 | 3.76    | 95.50 | 1.00    | 25.40 |
|                                 | 02         |                                  | 0.25        | 6.35  | 0.38 | 9.53  |              |       |         |       |         |       |         |       |         |       | 1.10    | 27.94 |
|                                 | 03         |                                  | 0.31        | 7.92  | 0.50 | 12.70 |              |       |         |       |         |       |         |       |         |       | 1.20    | 30.48 |
|                                 | 04         |                                  | 0.44        | 11.10 | 0.63 | 15.88 |              |       |         |       |         |       |         |       |         |       | 1.25    | 31.75 |
|                                 | 05         |                                  | 0.56        | 14.27 | 0.75 | 19.05 |              |       |         |       |         |       |         |       |         |       | 1.40    | 35.56 |
| 18                              | 01         | 19 / F                           | 0.25        | 6.35  | 0.38 | 9.53  | 1.40         | 35.56 | 0.93    | 23.62 | 3.66    | 92.96 | 1.01    | 25.65 | 3.93    | 99.82 | 1.10    | 27.94 |
|                                 | 02         |                                  | 0.31        | 7.92  | 0.50 | 12.70 |              |       |         |       |         |       |         |       |         |       | 1.20    | 30.48 |
|                                 | 03         |                                  | 0.44        | 11.10 | 0.63 | 15.88 |              |       |         |       |         |       |         |       |         |       | 1.25    | 31.75 |
|                                 | 04         |                                  | 0.56        | 14.27 | 0.75 | 19.05 |              |       |         |       |         |       |         |       |         |       | 1.40    | 35.56 |
|                                 | 05         |                                  | 0.69        | 17.45 | 0.88 | 22.23 |              |       |         |       |         |       |         |       |         |       | 1.50    | 38.10 |

Table Continued

Connector Group - L

90°, 45°

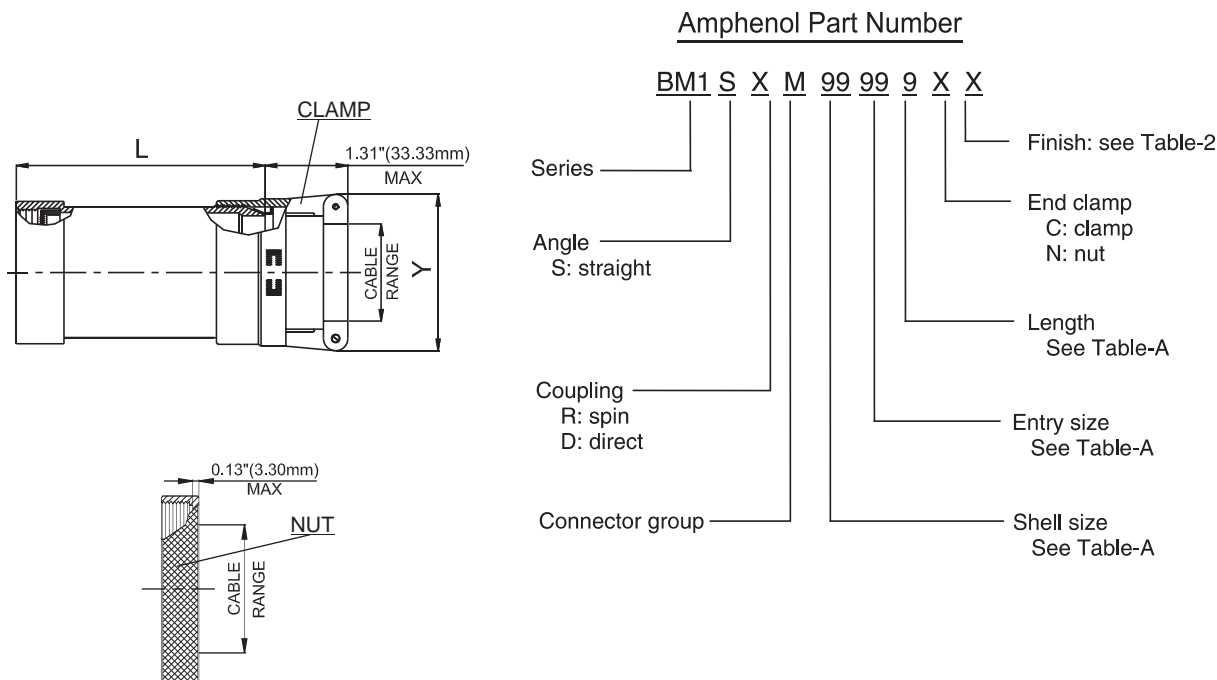
TABLE - B

| AMPHENOL<br>PART NUMBER<br>DESIGNATOR |               | CONNECTOR<br>SHELL<br>SIZE/CODE<br>(REF.) | CABLE RANGE |       |      |       | A DIA. (MAX) |       | B (MAX) |       | C (MAX) |       | D (MAX) |       | E (MAX) |        | Y (MAX) |       |
|---------------------------------------|---------------|---|-------------|-------|------|-------|--------------|-------|---------|-------|---------|-------|---------|-------|---------|--------|---------|-------|
| SHELL<br>SIZE                         | ENTRY<br>SIZE |   | MIN         |       | MAX  |       | INCH         | MM    | INCH    | MM    | INCH    | MM    | INCH    | MM    | INCH    | MM     | INCH    | MM    |
|                                       |               |   | INCH        | MM    | INCH | MM    |              |       |         |       |         |       |         |       |         |        |         |       |
| 20                                    | 01            | 21 / G                                    | 0.25        | 6.35  | 0.38 | 9.53  | 1.55         | 39.37 | 0.93    | 23.62 | 3.66    | 92.96 | 1.06    | 26.92 | 3.93    | 99.82  | 1.10    | 27.94 |
|                                       | 02            |   | 0.31        | 7.92  | 0.50 | 12.70 |              |       |         |       |         |       |         |       |         |        | 1.20    | 30.48 |
|                                       | 03            |   | 0.44        | 11.10 | 0.63 | 15.88 |              |       |         |       |         |       |         |       |         |        | 1.25    | 31.75 |
|                                       | 04            |   | 0.56        | 14.27 | 0.75 | 19.05 |              |       |         |       |         |       |         |       |         |        | 1.40    | 35.56 |
|                                       | 05            |   | 0.69        | 17.45 | 0.88 | 22.23 |              |       |         |       |         |       |         |       |         |        | 1.50    | 38.10 |
|                                       | 06            |   | 0.81        | 20.62 | 1.00 | 25.40 |              |       |         |       |         |       |         |       |         |        | 1.65    | 41.91 |
| 22                                    | 01            | 23 / H                                    | 0.25        | 6.35  | 0.38 | 9.53  | 1.65         | 41.91 | 1.02    | 25.91 | 3.81    | 96.77 | 1.17    | 29.72 | 4.04    | 102.62 | 1.10    | 27.94 |
|                                       | 02            |   | 0.31        | 7.92  | 0.50 | 12.70 |              |       |         |       |         |       |         |       |         |        | 1.20    | 30.48 |
|                                       | 03            |   | 0.44        | 11.10 | 0.63 | 15.88 |              |       |         |       |         |       |         |       |         |        | 1.25    | 31.75 |
|                                       | 04            |   | 0.56        | 14.27 | 0.75 | 19.05 |              |       |         |       |         |       |         |       |         |        | 1.40    | 35.56 |
|                                       | 05            |   | 0.69        | 17.45 | 0.88 | 22.23 |              |       |         |       |         |       |         |       |         |        | 1.50    | 38.10 |
|                                       | 06            |   | 0.81        | 20.62 | 1.00 | 25.40 |              |       |         |       |         |       |         |       |         |        | 1.65    | 41.91 |
|                                       | 07            |   | 0.94        | 23.80 | 1.13 | 28.58 |              |       |         |       |         |       |         |       |         |        | 1.75    | 44.45 |
| 24                                    | 01            | 25 / J                                    | 0.31        | 7.92  | 0.50 | 12.70 | 1.85         | 46.99 | 1.02    | 25.91 | 3.81    | 96.77 | 1.18    | 29.97 | 4.04    | 102.62 | 1.20    | 30.48 |
|                                       | 02            |   | 0.44        | 11.10 | 0.63 | 15.88 |              |       |         |       |         |       |         |       |         |        | 1.25    | 31.75 |
|                                       | 03            |   | 0.56        | 14.27 | 0.75 | 19.05 |              |       |         |       |         |       |         |       |         |        | 1.40    | 35.56 |
|                                       | 04            |   | 0.69        | 17.45 | 0.88 | 22.23 |              |       |         |       |         |       |         |       |         |        | 1.50    | 38.10 |
|                                       | 05            |   | 0.81        | 20.62 | 1.00 | 25.40 |              |       |         |       |         |       |         |       |         |        | 1.65    | 41.91 |
|                                       | 06            |   | 0.94        | 23.80 | 1.13 | 28.58 |              |       |         |       |         |       |         |       |         |        | 1.75    | 44.45 |
|                                       | 07            |   | 1.06        | 26.97 | 1.25 | 31.75 |              |       |         |       |         |       |         |       |         |        | 1.90    | 48.26 |



### Connector Group - M

### Straight



**NOTE:** \* For more cable entry and length options, contact factory

| TABLE - A                       |            |        |                      |             |      |      |       |         |       |         |       |
|---------------------------------|------------|--------|----------------------|-------------|------|------|-------|---------|-------|---------|-------|
| AMPHENOL PART NUMBER DESIGNATOR |            |        | CONNECTOR SHELL SIZE | CABLE RANGE |      |      |       | L (MAX) |       | Y (MAX) |       |
| SHELL SIZE                      | ENTRY SIZE | LENGTH |                      | MIN         |      | MAX  |       | INCH    | MM    | INCH    | MM    |
|                                 |            |        |                      | INCH        | MM   | INCH | MM    |         |       |         |       |
| 08                              | 01         | 1      | 8                    | 0.06        | 1.57 | 0.13 | 3.18  | 1.53    | 38.86 | 0.78    | 19.81 |
|                                 |            | 2      |                      |             |      |      |       | 2.53    | 64.26 |         |       |
|                                 | 02         | 1      |                      | 0.13        | 3.18 | 0.25 | 6.35  | 1.53    | 38.86 | 0.97    | 24.64 |
|                                 |            | 2      |                      |             |      |      |       | 2.53    | 64.26 |         |       |
| 10                              | 01         | 1      | 10                   | 0.06        | 1.57 | 0.13 | 3.18  | 1.53    | 38.86 | 0.78    | 19.81 |
|                                 |            | 2      |                      |             |      |      |       | 2.53    | 64.26 |         |       |
|                                 | 02         | 1      |                      | 0.13        | 3.18 | 0.25 | 6.35  | 1.53    | 38.86 | 0.97    | 24.64 |
|                                 |            | 2      |                      |             |      |      |       | 2.53    | 64.26 |         |       |
|                                 | 03         | 1      |                      | 0.25        | 6.35 | 0.38 | 9.53  | 1.53    | 38.86 | 1.06    | 26.92 |
|                                 |            | 2      |                      |             |      |      |       | 2.53    | 64.26 |         |       |
| 12                              | 01         | 1      | 12                   | 0.13        | 3.18 | 0.25 | 6.35  | 1.53    | 38.86 | 0.97    | 24.64 |
|                                 |            | 2      |                      |             |      |      |       | 2.53    | 64.26 |         |       |
|                                 | 02         | 1      |                      | 0.25        | 6.35 | 0.38 | 9.53  | 1.53    | 38.86 | 1.06    | 26.92 |
|                                 |            | 2      |                      |             |      |      |       | 2.53    | 64.26 |         |       |
|                                 | 03         | 1      |                      | 0.31        | 7.92 | 0.50 | 12.70 | 1.53    | 38.86 | 1.16    | 29.46 |
|                                 |            | 2      |                      |             |      |      |       | 2.53    | 64.26 |         |       |
| 14                              | 01         | 1      | 14                   | 0.13        | 3.18 | 0.25 | 6.35  | 1.53    | 38.86 | 0.97    | 24.64 |
|                                 |            | 2      |                      |             |      |      |       | 2.53    | 64.26 |         |       |
|                                 |            | 3      |                      |             |      |      |       | 3.53    | 89.66 |         |       |

Table Continued

Connector Group - M

Straight

| TABLE - A                       |            |        |                      |             |       |      |       |         |       |         |       |
|---------------------------------|------------|--------|----------------------|-------------|-------|------|-------|---------|-------|---------|-------|
| AMPHENOL PART NUMBER DESIGNATOR |            |        | CONNECTOR SHELL SIZE | CABLE RANGE |       |      |       | L (MAX) |       | Y (MAX) |       |
| SHELL SIZE                      | ENTRY SIZE | LENGTH |                      | MIN         |       | MAX  |       | INCH    | MM    | INCH    | MM    |
|                                 |            |        |                      | INCH        | MM    | INCH | MM    |         |       |         |       |
| 14                              | 02         | 1      | 14                   | 0.25        | 6.35  | 0.38 | 9.53  | 1.53    | 38.86 | 1.06    | 26.92 |
|                                 |            | 2      |                      |             |       |      |       | 2.53    | 64.26 |         |       |
|                                 |            | 3      |                      |             |       |      |       | 3.53    | 89.66 |         |       |
|                                 | 03         | 1      |                      | 0.31        | 7.92  | 0.50 | 12.70 | 1.53    | 38.86 | 1.16    | 29.46 |
|                                 |            | 2      |                      |             |       |      |       | 2.53    | 64.26 |         |       |
|                                 |            | 3      |                      |             |       |      |       | 3.53    | 89.66 |         |       |
|                                 | 04         | 1      |                      | 0.44        | 11.10 | 0.63 | 15.88 | 1.53    | 38.86 | 1.25    | 31.75 |
|                                 |            | 2      |                      |             |       |      |       | 2.53    | 64.26 |         |       |
|                                 |            | 3      |                      |             |       |      |       | 3.53    | 89.66 |         |       |
| 16                              | 01         | 1      | 16                   | 0.13        | 3.18  | 0.25 | 6.35  | 1.53    | 38.86 | 0.97    | 24.64 |
|                                 |            | 2      |                      |             |       |      |       | 2.53    | 64.26 |         |       |
|                                 |            | 3      |                      |             |       |      |       | 3.53    | 89.66 |         |       |
|                                 | 02         | 1      |                      | 0.25        | 6.35  | 0.38 | 9.53  | 1.53    | 38.86 | 1.06    | 26.92 |
|                                 |            | 2      |                      |             |       |      |       | 2.53    | 64.26 |         |       |
|                                 |            | 3      |                      |             |       |      |       | 3.53    | 89.66 |         |       |
|                                 | 03         | 1      |                      | 0.31        | 7.92  | 0.50 | 12.70 | 1.53    | 38.86 | 1.16    | 29.46 |
|                                 |            | 2      |                      |             |       |      |       | 2.53    | 64.26 |         |       |
|                                 |            | 3      |                      |             |       |      |       | 3.53    | 89.66 |         |       |
|                                 | 04         | 1      |                      | 0.44        | 11.10 | 0.63 | 15.88 | 1.53    | 38.86 | 1.25    | 31.75 |
|                                 |            | 2      |                      |             |       |      |       | 2.53    | 64.26 |         |       |
|                                 |            | 3      |                      |             |       |      |       | 3.53    | 89.66 |         |       |
|                                 | 05         | 1      |                      | 0.56        | 14.27 | 0.75 | 19.05 | 1.53    | 38.86 | 1.38    | 35.05 |
|                                 |            | 2      |                      |             |       |      |       | 2.53    | 64.26 |         |       |
|                                 |            | 3      |                      |             |       |      |       | 3.53    | 89.66 |         |       |
| 18                              | 01         | 1      | 18                   | 0.25        | 6.35  | 0.38 | 9.53  | 1.53    | 38.86 | 1.06    | 26.92 |
|                                 |            | 2      |                      |             |       |      |       | 2.53    | 64.26 |         |       |
|                                 |            | 3      |                      |             |       |      |       | 3.53    | 89.66 |         |       |
|                                 | 02         | 1      |                      | 0.31        | 7.92  | 0.50 | 12.70 | 1.53    | 38.86 | 1.16    | 29.46 |
|                                 |            | 2      |                      |             |       |      |       | 2.53    | 64.26 |         |       |
|                                 |            | 3      |                      |             |       |      |       | 3.53    | 89.66 |         |       |
|                                 | 03         | 1      |                      | 0.44        | 11.10 | 0.63 | 15.88 | 1.53    | 38.86 | 1.25    | 31.75 |
|                                 |            | 2      |                      |             |       |      |       | 2.53    | 64.26 |         |       |
|                                 |            | 3      |                      |             |       |      |       | 3.53    | 89.66 |         |       |
|                                 | 04         | 1      |                      | 0.56        | 14.27 | 0.75 | 19.05 | 1.53    | 38.86 | 1.38    | 35.05 |
|                                 |            | 2      |                      |             |       |      |       | 2.53    | 64.26 |         |       |
|                                 |            | 3      |                      |             |       |      |       | 3.53    | 89.66 |         |       |
|                                 | 05         | 1      |                      | 0.69        | 17.45 | 0.88 | 22.23 | 1.53    | 38.86 | 1.50    | 38.10 |
|                                 |            | 2      |                      |             |       |      |       | 2.53    | 64.26 |         |       |
|                                 |            | 3      |                      |             |       |      |       | 3.53    | 89.66 |         |       |

Table Continued



| TABLE - A                       |            |        |                      |             |       |      |       |         |        |         |       |
|---------------------------------|------------|--------|----------------------|-------------|-------|------|-------|---------|--------|---------|-------|
| AMPHENOL PART NUMBER DESIGNATOR |            |        | CONNECTOR SHELL SIZE | CABLE RANGE |       |      |       | L (MAX) |        | Y (MAX) |       |
| SHELL SIZE                      | ENTRY SIZE | LENGTH |                      | MIN         |       | MAX  |       | INCH    | MM     | INCH    | MM    |
|                                 |            |        |                      | INCH        | MM    | INCH | MM    |         |        |         |       |
| 20                              | 01         | 1      | 20                   | 0.25        | 6.35  | 0.38 | 9.53  | 1.53    | 38.86  | 1.06    | 26.92 |
|                                 |            | 2      |                      |             |       |      |       | 2.53    | 64.26  |         |       |
|                                 |            | 3      |                      |             |       |      |       | 3.53    | 89.66  |         |       |
|                                 |            | 4      |                      |             |       |      |       | 4.53    | 115.06 |         |       |
|                                 | 02         | 1      |                      | 0.31        | 7.92  | 0.50 | 12.70 | 1.53    | 38.86  | 1.16    | 29.46 |
|                                 |            | 2      |                      |             |       |      |       | 2.53    | 64.26  |         |       |
|                                 |            | 3      |                      |             |       |      |       | 3.53    | 89.66  |         |       |
|                                 |            | 4      |                      |             |       |      |       | 4.53    | 115.06 |         |       |
|                                 | 03         | 1      |                      | 0.44        | 11.10 | 0.63 | 15.88 | 1.53    | 38.86  | 1.25    | 31.75 |
|                                 |            | 2      |                      |             |       |      |       | 2.53    | 64.26  |         |       |
|                                 |            | 3      |                      |             |       |      |       | 3.53    | 89.66  |         |       |
|                                 |            | 4      |                      |             |       |      |       | 4.53    | 115.06 |         |       |
|                                 | 04         | 1      |                      | 0.56        | 14.27 | 0.75 | 19.05 | 1.53    | 38.86  | 1.38    | 35.05 |
|                                 |            | 2      |                      |             |       |      |       | 2.53    | 64.26  |         |       |
|                                 |            | 3      |                      |             |       |      |       | 3.53    | 89.66  |         |       |
|                                 |            | 4      |                      |             |       |      |       | 4.53    | 115.06 |         |       |
|                                 | 05         | 1      |                      | 0.69        | 17.45 | 0.88 | 22.23 | 1.53    | 38.86  | 1.50    | 38.10 |
|                                 |            | 2      |                      |             |       |      |       | 2.53    | 64.26  |         |       |
|                                 |            | 3      |                      |             |       |      |       | 3.53    | 89.66  |         |       |
|                                 |            | 4      |                      |             |       |      |       | 4.53    | 115.06 |         |       |
|                                 | 06         | 1      |                      | 0.81        | 20.62 | 1.00 | 25.40 | 1.53    | 38.86  | 1.63    | 41.40 |
|                                 |            | 2      |                      |             |       |      |       | 2.53    | 64.26  |         |       |
|                                 |            | 3      |                      |             |       |      |       | 3.53    | 89.66  |         |       |
|                                 |            | 4      |                      |             |       |      |       | 4.53    | 115.06 |         |       |
| 22                              | 01         | 1      | 22                   | 0.25        | 6.35  | 0.38 | 9.53  | 1.53    | 38.86  | 1.06    | 26.92 |
|                                 |            | 2      |                      |             |       |      |       | 2.53    | 64.26  |         |       |
|                                 |            | 3      |                      |             |       |      |       | 3.53    | 89.66  |         |       |
|                                 |            | 4      |                      |             |       |      |       | 4.53    | 115.06 |         |       |
|                                 | 02         | 1      |                      | 0.31        | 7.92  | 0.50 | 12.70 | 1.53    | 38.86  | 1.16    | 29.46 |
|                                 |            | 2      |                      |             |       |      |       | 2.53    | 64.26  |         |       |
|                                 |            | 3      |                      |             |       |      |       | 3.53    | 89.66  |         |       |
|                                 |            | 4      |                      |             |       |      |       | 4.53    | 115.06 |         |       |
|                                 | 03         | 1      |                      | 0.44        | 11.10 | 0.63 | 15.88 | 1.53    | 38.86  | 1.25    | 31.75 |
|                                 |            | 2      |                      |             |       |      |       | 2.53    | 64.26  |         |       |
|                                 |            | 3      |                      |             |       |      |       | 3.53    | 89.66  |         |       |
|                                 |            | 4      |                      |             |       |      |       | 4.53    | 115.06 |         |       |
|                                 | 04         | 1      |                      | 0.56        | 14.27 | 0.75 | 19.05 | 1.53    | 38.86  | 1.38    | 35.05 |
|                                 |            | 2      |                      |             |       |      |       | 2.53    | 64.26  |         |       |
|                                 |            | 3      |                      |             |       |      |       | 3.53    | 89.66  |         |       |
|                                 |            | 4      |                      |             |       |      |       | 4.53    | 115.06 |         |       |

Table Continued



Connector Group - M

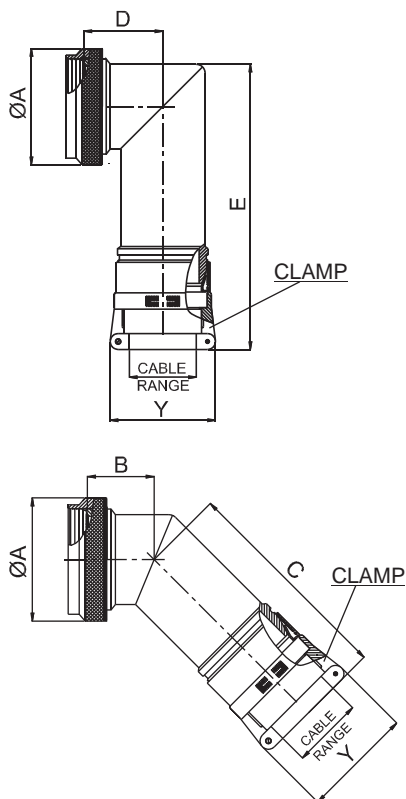
Straight

| TABLE - A                       |            |        |                      |             |       |      |       |         |        |         |       |
|---------------------------------|------------|--------|----------------------|-------------|-------|------|-------|---------|--------|---------|-------|
| AMPHENOL PART NUMBER DESIGNATOR |            |        | CONNECTOR SHELL SIZE | CABLE RANGE |       |      |       | L (MAX) |        | Y (MAX) |       |
| SHELL SIZE                      | ENTRY SIZE | LENGTH |                      | MIN         |       | MAX  |       | INCH    | MM     | INCH    | MM    |
|                                 |            |        |                      | INCH        | MM    | INCH | MM    |         |        |         |       |
| 22                              | 05         | 1      | 22                   | 0.69        | 17.45 | 0.88 | 22.23 | 1.53    | 38.86  | 1.50    | 38.10 |
|                                 |            | 2      |                      |             |       |      |       | 2.53    | 64.26  |         |       |
|                                 |            | 3      |                      |             |       |      |       | 3.53    | 89.66  |         |       |
|                                 |            | 4      |                      |             |       |      |       | 4.53    | 115.06 |         |       |
|                                 | 06         | 1      |                      | 0.81        | 20.62 | 1.00 | 25.40 | 1.53    | 38.86  | 1.63    | 41.40 |
|                                 |            | 2      |                      |             |       |      |       | 2.53    | 64.26  |         |       |
|                                 |            | 3      |                      |             |       |      |       | 3.53    | 89.66  |         |       |
|                                 |            | 4      |                      |             |       |      |       | 4.53    | 115.06 |         |       |
|                                 | 07         | 1      |                      | 0.94        | 23.80 | 1.13 | 28.58 | 1.53    | 38.86  | 1.75    | 44.45 |
|                                 |            | 2      |                      |             |       |      |       | 2.53    | 64.26  |         |       |
|                                 |            | 3      |                      |             |       |      |       | 3.53    | 89.66  |         |       |
|                                 |            | 4      |                      |             |       |      |       | 4.53    | 115.06 |         |       |
| 24                              | 01         | 1      | 24                   | 0.31        | 7.92  | 0.50 | 12.70 | 1.53    | 38.86  | 1.16    | 29.46 |
|                                 |            | 2      |                      |             |       |      |       | 2.53    | 64.26  |         |       |
|                                 |            | 3      |                      |             |       |      |       | 3.53    | 89.66  |         |       |
|                                 |            | 4      |                      |             |       |      |       | 4.53    | 115.06 |         |       |
|                                 | 02         | 1      |                      | 0.44        | 11.10 | 0.63 | 15.88 | 1.53    | 38.86  | 1.25    | 31.75 |
|                                 |            | 2      |                      |             |       |      |       | 2.53    | 64.26  |         |       |
|                                 |            | 3      |                      |             |       |      |       | 3.53    | 89.66  |         |       |
|                                 |            | 4      |                      |             |       |      |       | 4.53    | 115.06 |         |       |
|                                 | 03         | 1      |                      | 0.56        | 14.27 | 0.75 | 19.05 | 1.53    | 38.86  | 1.38    | 35.05 |
|                                 |            | 2      |                      |             |       |      |       | 2.53    | 64.26  |         |       |
|                                 |            | 3      |                      |             |       |      |       | 3.53    | 89.66  |         |       |
|                                 |            | 4      |                      |             |       |      |       | 4.53    | 115.06 |         |       |
|                                 | 04         | 1      |                      | 0.69        | 17.45 | 0.88 | 22.23 | 1.53    | 38.86  | 1.50    | 38.10 |
|                                 |            | 2      |                      |             |       |      |       | 2.53    | 64.26  |         |       |
|                                 |            | 3      |                      |             |       |      |       | 3.53    | 89.66  |         |       |
|                                 |            | 4      |                      |             |       |      |       | 4.53    | 115.06 |         |       |
|                                 | 05         | 1      |                      | 0.81        | 20.62 | 1.00 | 25.40 | 1.53    | 38.86  | 1.63    | 41.40 |
|                                 |            | 2      |                      |             |       |      |       | 2.53    | 64.26  |         |       |
|                                 |            | 3      |                      |             |       |      |       | 3.53    | 89.66  |         |       |
|                                 |            | 4      |                      |             |       |      |       | 4.53    | 115.06 |         |       |
|                                 | 06         | 1      |                      | 0.94        | 23.80 | 1.13 | 28.58 | 1.53    | 38.86  | 1.75    | 44.45 |
|                                 |            | 2      |                      |             |       |      |       | 2.53    | 64.26  |         |       |
|                                 |            | 3      |                      |             |       |      |       | 3.53    | 89.66  |         |       |
|                                 |            | 4      |                      |             |       |      |       | 4.53    | 115.06 |         |       |
|                                 | 07         | 1      |                      | 1.06        | 26.97 | 1.25 | 31.75 | 1.53    | 38.86  | 1.88    | 47.75 |
|                                 |            | 2      |                      |             |       |      |       | 2.53    | 64.26  |         |       |
|                                 |            | 3      |                      |             |       |      |       | 3.53    | 89.66  |         |       |
|                                 |            | 4      |                      |             |       |      |       | 4.53    | 115.06 |         |       |

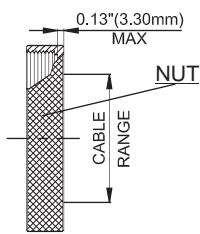
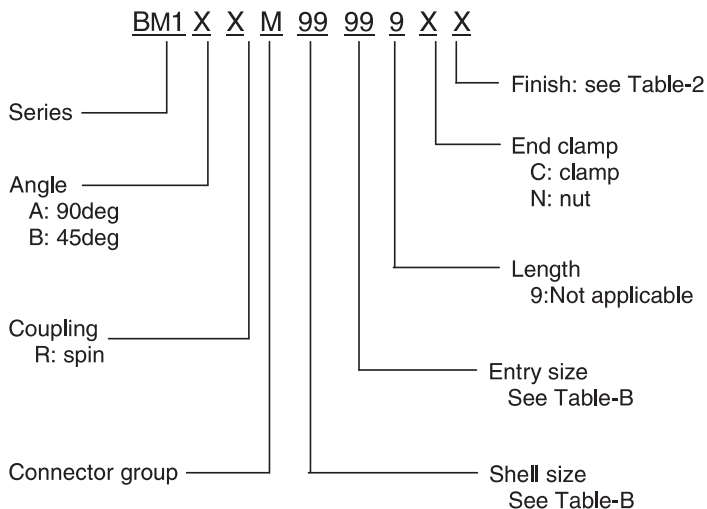


### Connector Group - M

90°, 45°



#### Amphenol Part Number



NOTE: \* For more cable entry options, contact factory

TABLE - B

| AMPHENOL PART NUMBER DESIGNATOR |            | CONNECTOR SHELL SIZE | CABLE RANGE |       |      |       | A DIA. (MAX) |       | B (MAX) |       | C (MAX) |       | D (MAX) |       | E (MAX) |       | Y (MAX) |       |
|---------------------------------|------------|----------------------|-------------|-------|------|-------|--------------|-------|---------|-------|---------|-------|---------|-------|---------|-------|---------|-------|
| SHELL SIZE                      | ENTRY SIZE |                      | MIN         |       | MAX  |       | INCH         | MM    | INCH    | MM    | INCH    | MM    | INCH    | MM    | INCH    | MM    | INCH    | MM    |
|                                 |            |                      | INCH        | MM    | INCH | MM    |              |       |         |       |         |       |         |       |         |       |         |       |
| 08                              | 01         | 8                    | 0.06        | 1.57  | 0.13 | 3.18  | 0.75         | 19.05 | 0.46    | 11.68 | 3.15    | 80.01 | 0.69    | 17.53 | 3.46    | 87.88 | 0.78    | 19.81 |
|                                 | 02         |                      | 0.13        | 3.18  | 0.25 | 6.35  |              |       |         |       |         |       |         |       |         |       | 0.97    | 24.64 |
| 10                              | 01         | 10                   | 0.06        | 1.57  | 0.13 | 3.18  | 0.85         | 21.59 | 0.52    | 13.21 | 3.21    | 81.53 | 0.78    | 19.81 | 3.58    | 90.93 | 0.78    | 19.81 |
|                                 | 02         |                      | 0.13        | 3.18  | 0.25 | 6.35  |              |       |         |       |         |       |         |       |         |       | 0.97    | 24.64 |
|                                 | 03         |                      | 0.25        | 6.35  | 0.38 | 9.53  |              |       |         |       |         |       |         |       |         |       | 1.06    | 26.92 |
| 12                              | 01         | 12                   | 0.13        | 3.18  | 0.25 | 6.35  | 1.00         | 25.40 | 0.58    | 14.73 | 3.27    | 83.06 | 0.80    | 20.32 | 3.60    | 91.44 | 0.97    | 24.64 |
|                                 | 02         |                      | 0.25        | 6.35  | 0.38 | 9.53  |              |       |         |       |         |       |         |       |         |       | 1.06    | 26.92 |
|                                 | 03         |                      | 0.31        | 7.92  | 0.50 | 12.70 |              |       |         |       |         |       |         |       |         |       | 1.16    | 29.46 |
| 14                              | 01         | 14                   | 0.13        | 3.18  | 0.25 | 6.35  | 1.15         | 29.21 | 0.65    | 16.51 | 3.36    | 85.34 | 0.88    | 22.35 | 3.67    | 93.22 | 0.97    | 24.64 |
|                                 | 02         |                      | 0.25        | 6.35  | 0.38 | 9.53  |              |       |         |       |         |       |         |       |         |       | 1.06    | 26.92 |
|                                 | 03         |                      | 0.31        | 7.92  | 0.50 | 12.70 |              |       |         |       |         |       |         |       |         |       | 1.16    | 29.46 |
|                                 | 04         |                      | 0.44        | 11.10 | 0.63 | 15.88 |              |       |         |       |         |       |         |       |         |       | 1.25    | 31.75 |

Table Continued

Connector Group - M

90°, 45°

TABLE - B

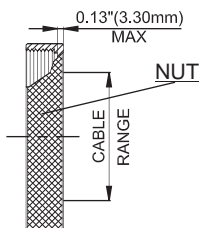
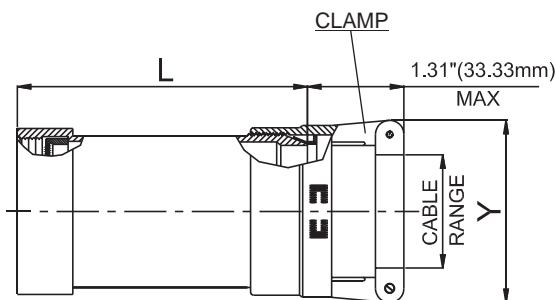
| AMPHENOL<br>PART NUMBER<br>DESIGNATOR |               | CONNECTOR<br>SHELL SIZE | CABLE RANGE |       |      |       | A DIA. (MAX) |       | B (MAX) |       | C (MAX) |       | D (MAX) |       | E (MAX) |        | Y (MAX) |       |
|---------------------------------------|---------------|-------------------------|-------------|-------|------|-------|--------------|-------|---------|-------|---------|-------|---------|-------|---------|--------|---------|-------|
| SHELL<br>SIZE                         | ENTRY<br>SIZE |                         | MIN         |       | MAX  |       | INCH         | MM    | INCH    | MM    | INCH    | MM    | INCH    | MM    | INCH    | MM     | INCH    | MM    |
|                                       |               |                         | INCH        | MM    | INCH | MM    |              |       |         |       |         |       |         |       |         |        |         |       |
| 16                                    | 01            | 16                      | 0.13        | 3.18  | 0.25 | 6.35  | 1.25         | 31.75 | 0.74    | 18.80 | 3.47    | 88.14 | 0.93    | 23.62 | 3.76    | 95.50  | 0.97    | 24.64 |
|                                       | 02            |                         | 0.25        | 6.35  | 0.38 | 9.53  |              |       |         |       |         |       |         |       |         |        | 1.06    | 26.92 |
|                                       | 03            |                         | 0.31        | 7.92  | 0.50 | 12.70 |              |       |         |       |         |       |         |       |         |        | 1.16    | 29.46 |
|                                       | 04            |                         | 0.44        | 11.10 | 0.63 | 15.88 |              |       |         |       |         |       |         |       |         |        | 1.25    | 31.75 |
|                                       | 05            |                         | 0.56        | 14.27 | 0.75 | 19.05 |              |       |         |       |         |       |         |       |         |        | 1.38    | 35.05 |
| 18                                    | 01            | 18                      | 0.25        | 6.35  | 0.38 | 9.53  | 1.40         | 35.56 | 0.93    | 23.62 | 3.66    | 92.96 | 1.01    | 25.65 | 3.93    | 99.82  | 1.06    | 26.92 |
|                                       | 02            |                         | 0.31        | 7.92  | 0.50 | 12.70 |              |       |         |       |         |       |         |       |         |        | 1.16    | 29.46 |
|                                       | 03            |                         | 0.44        | 11.10 | 0.63 | 15.88 |              |       |         |       |         |       |         |       |         |        | 1.25    | 31.75 |
|                                       | 04            |                         | 0.56        | 14.27 | 0.75 | 19.05 |              |       |         |       |         |       |         |       |         |        | 1.38    | 35.05 |
|                                       | 05            |                         | 0.69        | 17.45 | 0.88 | 22.23 |              |       |         |       |         |       |         |       |         |        | 1.50    | 38.10 |
| 20                                    | 01            | 20                      | 0.25        | 6.35  | 0.38 | 9.53  | 1.55         | 39.37 | 0.93    | 23.62 | 3.66    | 92.96 | 1.06    | 26.92 | 3.93    | 99.82  | 1.06    | 26.92 |
|                                       | 02            |                         | 0.31        | 7.92  | 0.50 | 12.70 |              |       |         |       |         |       |         |       |         |        | 1.16    | 29.46 |
|                                       | 03            |                         | 0.44        | 11.10 | 0.63 | 15.88 |              |       |         |       |         |       |         |       |         |        | 1.25    | 31.75 |
|                                       | 04            |                         | 0.56        | 14.27 | 0.75 | 19.05 |              |       |         |       |         |       |         |       |         |        | 1.38    | 35.05 |
|                                       | 05            |                         | 0.69        | 17.45 | 0.88 | 22.23 |              |       |         |       |         |       |         |       |         |        | 1.50    | 38.10 |
|                                       | 06            |                         | 0.81        | 20.62 | 1.00 | 25.40 |              |       |         |       |         |       |         |       |         |        | 1.63    | 41.40 |
| 22                                    | 01            | 22                      | 0.25        | 6.35  | 0.38 | 9.53  | 1.65         | 41.91 | 1.02    | 25.91 | 3.81    | 96.77 | 1.17    | 29.72 | 4.04    | 102.62 | 1.06    | 26.92 |
|                                       | 02            |                         | 0.31        | 7.92  | 0.50 | 12.70 |              |       |         |       |         |       |         |       |         |        | 1.16    | 29.46 |
|                                       | 03            |                         | 0.44        | 11.10 | 0.63 | 15.88 |              |       |         |       |         |       |         |       |         |        | 1.25    | 31.75 |
|                                       | 04            |                         | 0.56        | 14.27 | 0.75 | 19.05 |              |       |         |       |         |       |         |       |         |        | 1.38    | 35.05 |
|                                       | 05            |                         | 0.69        | 17.45 | 0.88 | 22.23 |              |       |         |       |         |       |         |       |         |        | 1.50    | 38.10 |
|                                       | 06            |                         | 0.81        | 20.62 | 1.00 | 25.40 |              |       |         |       |         |       |         |       |         |        | 1.63    | 41.40 |
|                                       | 07            |                         | 0.94        | 23.80 | 1.13 | 28.58 |              |       |         |       |         |       |         |       |         |        | 1.75    | 44.45 |
| 24                                    | 01            | 24                      | 0.31        | 7.92  | 0.50 | 12.70 | 1.85         | 46.99 | 1.02    | 25.91 | 3.81    | 96.77 | 1.18    | 29.97 | 4.04    | 102.62 | 1.16    | 29.46 |
|                                       | 02            |                         | 0.44        | 11.10 | 0.63 | 15.88 |              |       |         |       |         |       |         |       |         |        | 1.25    | 31.75 |
|                                       | 03            |                         | 0.56        | 14.27 | 0.75 | 19.05 |              |       |         |       |         |       |         |       |         |        | 1.38    | 35.05 |
|                                       | 04            |                         | 0.69        | 17.45 | 0.88 | 22.23 |              |       |         |       |         |       |         |       |         |        | 1.50    | 38.10 |
|                                       | 05            |                         | 0.81        | 20.62 | 1.00 | 25.40 |              |       |         |       |         |       |         |       |         |        | 1.63    | 41.40 |
|                                       | 06            |                         | 0.94        | 23.80 | 1.13 | 28.58 |              |       |         |       |         |       |         |       |         |        | 1.75    | 44.45 |
|                                       | 07            |                         | 1.06        | 26.97 | 1.25 | 31.75 |              |       |         |       |         |       |         |       |         |        | 1.88    | 47.75 |



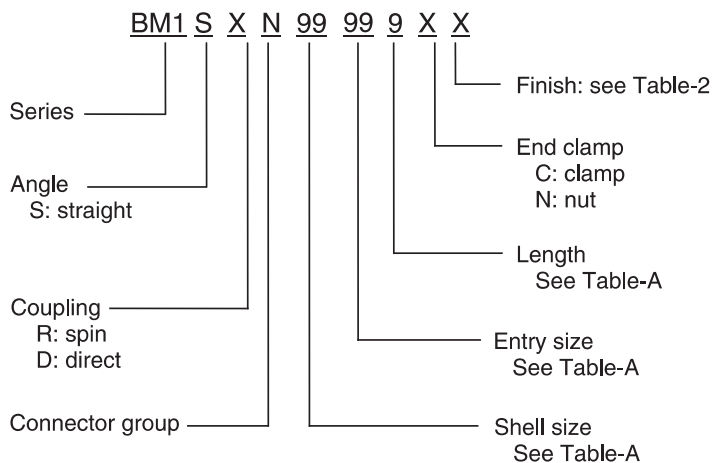


### Connector Group - N

### Straight



#### Amphenol Part Number



**NOTE:** \* For more cable entry and length options, contact factory

| TABLE - A                       |            |        |                      |             |      |      |       |         |       |         |       |
|---------------------------------|------------|--------|----------------------|-------------|------|------|-------|---------|-------|---------|-------|
| AMPHENOL PART NUMBER DESIGNATOR |            |        | CONNECTOR SHELL SIZE | CABLE RANGE |      |      |       | L (MAX) |       | Y (MAX) |       |
| SHELL SIZE                      | ENTRY SIZE | LENGTH |                      | MIN         |      | MAX  |       | INCH    | MM    | INCH    | MM    |
|                                 |            |        |                      | INCH        | MM   | INCH | MM    |         |       |         |       |
| 08                              | 01         | 1      | 8                    | 0.06        | 1.57 | 0.13 | 3.18  | 1.53    | 38.86 | 0.78    | 19.81 |
|                                 |            | 2      |                      |             |      |      |       | 2.53    | 64.26 |         |       |
|                                 | 02         | 1      |                      | 0.13        | 3.18 | 0.25 | 6.35  | 1.53    | 38.86 | 0.97    | 24.64 |
|                                 |            | 2      |                      |             |      |      |       | 2.53    | 64.26 |         |       |
| 10                              | 01         | 1      | 10                   | 0.06        | 1.57 | 0.13 | 3.18  | 1.53    | 38.86 | 0.78    | 19.81 |
|                                 |            | 2      |                      |             |      |      |       | 2.53    | 64.26 |         |       |
|                                 | 02         | 1      |                      | 0.13        | 3.18 | 0.25 | 6.35  | 1.53    | 38.86 | 0.97    | 24.64 |
|                                 |            | 2      |                      |             |      |      |       | 2.53    | 64.26 |         |       |
|                                 | 03         | 1      |                      | 0.25        | 6.35 | 0.38 | 9.53  | 1.53    | 38.86 | 1.06    | 26.92 |
|                                 |            | 2      |                      |             |      |      |       | 2.53    | 64.26 |         |       |
| 12                              | 01         | 1      | 12                   | 0.13        | 3.18 | 0.25 | 6.35  | 1.53    | 38.86 | 0.97    | 24.64 |
|                                 |            | 2      |                      |             |      |      |       | 2.53    | 64.26 |         |       |
|                                 | 02         | 1      |                      | 0.25        | 6.35 | 0.38 | 9.53  | 1.53    | 38.86 | 1.06    | 26.92 |
|                                 |            | 2      |                      |             |      |      |       | 2.53    | 64.26 |         |       |
|                                 | 03         | 1      |                      | 0.31        | 7.92 | 0.50 | 12.70 | 1.53    | 38.86 | 1.16    | 29.46 |
|                                 |            | 2      |                      |             |      |      |       | 2.53    | 64.26 |         |       |
| 14                              | 01         | 1      | 14                   | 0.13        | 3.18 | 0.25 | 6.35  | 1.53    | 38.86 | 0.97    | 24.64 |
|                                 |            | 2      |                      |             |      |      |       | 2.53    | 64.26 |         |       |
|                                 |            | 3      |                      |             |      |      |       | 3.53    | 89.66 |         |       |

Table Continued

Connector Group - N

Straight

| TABLE - A                       |            |        |                      |             |       |      |       |         |       |         |       |
|---------------------------------|------------|--------|----------------------|-------------|-------|------|-------|---------|-------|---------|-------|
| AMPHENOL PART NUMBER DESIGNATOR |            |        | CONNECTOR SHELL SIZE | CABLE RANGE |       |      |       | L (MAX) |       | Y (MAX) |       |
| SHELL SIZE                      | ENTRY SIZE | LENGTH |                      | MIN         |       | MAX  |       | INCH    | MM    | INCH    | MM    |
|                                 |            |        |                      | INCH        | MM    | INCH | MM    |         |       |         |       |
| 14                              | 02         | 1      | 14                   | 0.25        | 6.35  | 0.38 | 9.53  | 1.53    | 38.86 | 1.06    | 26.92 |
|                                 |            | 2      |                      |             |       |      |       | 2.53    | 64.26 |         |       |
|                                 |            | 3      |                      |             |       |      |       | 3.53    | 89.66 |         |       |
|                                 | 03         | 1      |                      | 0.31        | 7.92  | 0.50 | 12.70 | 1.53    | 38.86 | 1.16    | 29.46 |
|                                 |            | 2      |                      |             |       |      |       | 2.53    | 64.26 |         |       |
|                                 |            | 3      |                      |             |       |      |       | 3.53    | 89.66 |         |       |
|                                 | 04         | 1      |                      | 0.44        | 11.10 | 0.63 | 15.88 | 1.53    | 38.86 | 1.25    | 31.75 |
|                                 |            | 2      |                      |             |       |      |       | 2.53    | 64.26 |         |       |
|                                 |            | 3      |                      |             |       |      |       | 3.53    | 89.66 |         |       |
| 16                              | 01         | 1      | 16                   | 0.13        | 3.18  | 0.25 | 6.35  | 1.53    | 38.86 | 0.97    | 24.64 |
|                                 |            | 2      |                      |             |       |      |       | 2.53    | 64.26 |         |       |
|                                 |            | 3      |                      |             |       |      |       | 3.53    | 89.66 |         |       |
|                                 | 02         | 1      |                      | 0.25        | 6.35  | 0.38 | 9.53  | 1.53    | 38.86 | 1.06    | 26.92 |
|                                 |            | 2      |                      |             |       |      |       | 2.53    | 64.26 |         |       |
|                                 |            | 3      |                      |             |       |      |       | 3.53    | 89.66 |         |       |
|                                 | 03         | 1      |                      | 0.31        | 7.92  | 0.50 | 12.70 | 1.53    | 38.86 | 1.16    | 29.46 |
|                                 |            | 2      |                      |             |       |      |       | 2.53    | 64.26 |         |       |
|                                 |            | 3      |                      |             |       |      |       | 3.53    | 89.66 |         |       |
|                                 | 04         | 1      |                      | 0.44        | 11.10 | 0.63 | 15.88 | 1.53    | 38.86 | 1.25    | 31.75 |
|                                 |            | 2      |                      |             |       |      |       | 2.53    | 64.26 |         |       |
|                                 |            | 3      |                      |             |       |      |       | 3.53    | 89.66 |         |       |
|                                 | 05         | 1      |                      | 0.56        | 14.27 | 0.75 | 19.05 | 1.53    | 38.86 | 1.38    | 35.05 |
|                                 |            | 2      |                      |             |       |      |       | 2.53    | 64.26 |         |       |
|                                 |            | 3      |                      |             |       |      |       | 3.53    | 89.66 |         |       |
| 18                              | 01         | 1      | 18                   | 0.25        | 6.35  | 0.38 | 9.53  | 1.53    | 38.86 | 1.06    | 26.92 |
|                                 |            | 2      |                      |             |       |      |       | 2.53    | 64.26 |         |       |
|                                 |            | 3      |                      |             |       |      |       | 3.53    | 89.66 |         |       |
|                                 | 02         | 1      |                      | 0.31        | 7.92  | 0.50 | 12.70 | 1.53    | 38.86 | 1.16    | 29.46 |
|                                 |            | 2      |                      |             |       |      |       | 2.53    | 64.26 |         |       |
|                                 |            | 3      |                      |             |       |      |       | 3.53    | 89.66 |         |       |
|                                 | 03         | 1      |                      | 0.44        | 11.10 | 0.63 | 15.88 | 1.53    | 38.86 | 1.25    | 31.75 |
|                                 |            | 2      |                      |             |       |      |       | 2.53    | 64.26 |         |       |
|                                 |            | 3      |                      |             |       |      |       | 3.53    | 89.66 |         |       |
|                                 | 04         | 1      |                      | 0.56        | 14.27 | 0.75 | 19.05 | 1.53    | 38.86 | 1.38    | 35.05 |
|                                 |            | 2      |                      |             |       |      |       | 2.53    | 64.26 |         |       |
|                                 |            | 3      |                      |             |       |      |       | 3.53    | 89.66 |         |       |
|                                 | 05         | 1      |                      | 0.69        | 17.45 | 0.88 | 22.23 | 1.53    | 38.86 | 1.50    | 38.10 |
|                                 |            | 2      |                      |             |       |      |       | 2.53    | 64.26 |         |       |
|                                 |            | 3      |                      |             |       |      |       | 3.53    | 89.66 |         |       |

Table Continued



Connector Group - N

Straight

| TABLE - A                       |            |        |                      |             |       |      |       |         |        |         |       |
|---------------------------------|------------|--------|----------------------|-------------|-------|------|-------|---------|--------|---------|-------|
| AMPHENOL PART NUMBER DESIGNATOR |            |        | CONNECTOR SHELL SIZE | CABLE RANGE |       |      |       | L (MAX) |        | Y (MAX) |       |
| SHELL SIZE                      | ENTRY SIZE | LENGTH |                      | MIN         |       | MAX  |       | INCH    | MM     | INCH    | MM    |
|                                 |            |        |                      | INCH        | MM    | INCH | MM    |         |        |         |       |
| 20                              | 01         | 1      | 20                   | 0.25        | 6.35  | 0.38 | 9.53  | 1.53    | 38.86  | 1.06    | 26.92 |
|                                 |            | 2      |                      |             |       |      |       | 2.53    | 64.26  |         |       |
|                                 |            | 3      |                      |             |       |      |       | 3.53    | 89.66  |         |       |
|                                 |            | 4      |                      |             |       |      |       | 4.53    | 115.06 |         |       |
|                                 | 02         | 1      |                      | 0.31        | 7.92  | 0.50 | 12.70 | 1.53    | 38.86  | 1.16    | 29.46 |
|                                 |            | 2      |                      |             |       |      |       | 2.53    | 64.26  |         |       |
|                                 |            | 3      |                      |             |       |      |       | 3.53    | 89.66  |         |       |
|                                 |            | 4      |                      |             |       |      |       | 4.53    | 115.06 |         |       |
|                                 | 03         | 1      |                      | 0.44        | 11.10 | 0.63 | 15.88 | 1.53    | 38.86  | 1.25    | 31.75 |
|                                 |            | 2      |                      |             |       |      |       | 2.53    | 64.26  |         |       |
|                                 |            | 3      |                      |             |       |      |       | 3.53    | 89.66  |         |       |
|                                 |            | 4      |                      |             |       |      |       | 4.53    | 115.06 |         |       |
|                                 | 04         | 1      |                      | 0.56        | 14.27 | 0.75 | 19.05 | 1.53    | 38.86  | 1.38    | 35.05 |
|                                 |            | 2      |                      |             |       |      |       | 2.53    | 64.26  |         |       |
|                                 |            | 3      |                      |             |       |      |       | 3.53    | 89.66  |         |       |
|                                 |            | 4      |                      |             |       |      |       | 4.53    | 115.06 |         |       |
|                                 | 05         | 1      |                      | 0.69        | 17.45 | 0.88 | 22.23 | 1.53    | 38.86  | 1.50    | 38.10 |
|                                 |            | 2      |                      |             |       |      |       | 2.53    | 64.26  |         |       |
|                                 |            | 3      |                      |             |       |      |       | 3.53    | 89.66  |         |       |
|                                 |            | 4      |                      |             |       |      |       | 4.53    | 115.06 |         |       |
|                                 | 06         | 1      |                      | 0.81        | 20.62 | 1.00 | 25.40 | 1.53    | 38.86  | 1.63    | 41.40 |
|                                 |            | 2      |                      |             |       |      |       | 2.53    | 64.26  |         |       |
|                                 |            | 3      |                      |             |       |      |       | 3.53    | 89.66  |         |       |
|                                 |            | 4      |                      |             |       |      |       | 4.53    | 115.06 |         |       |
| 22                              | 01         | 1      | 22                   | 0.25        | 6.35  | 0.38 | 9.53  | 1.53    | 38.86  | 1.06    | 26.92 |
|                                 |            | 2      |                      |             |       |      |       | 2.53    | 64.26  |         |       |
|                                 |            | 3      |                      |             |       |      |       | 3.53    | 89.66  |         |       |
|                                 |            | 4      |                      |             |       |      |       | 4.53    | 115.06 |         |       |
|                                 | 02         | 1      |                      | 0.31        | 7.92  | 0.50 | 12.70 | 1.53    | 38.86  | 1.16    | 29.46 |
|                                 |            | 2      |                      |             |       |      |       | 2.53    | 64.26  |         |       |
|                                 |            | 3      |                      |             |       |      |       | 3.53    | 89.66  |         |       |
|                                 |            | 4      |                      |             |       |      |       | 4.53    | 115.06 |         |       |
|                                 | 03         | 1      |                      | 0.44        | 11.10 | 0.63 | 15.88 | 1.53    | 38.86  | 1.25    | 31.75 |
|                                 |            | 2      |                      |             |       |      |       | 2.53    | 64.26  |         |       |
|                                 |            | 3      |                      |             |       |      |       | 3.53    | 89.66  |         |       |
|                                 |            | 4      |                      |             |       |      |       | 4.53    | 115.06 |         |       |

Table Continued

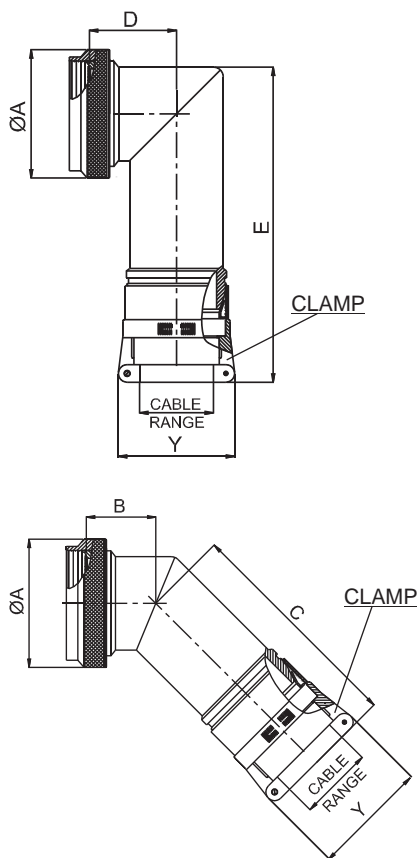


Connector Group - N

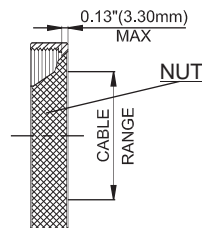
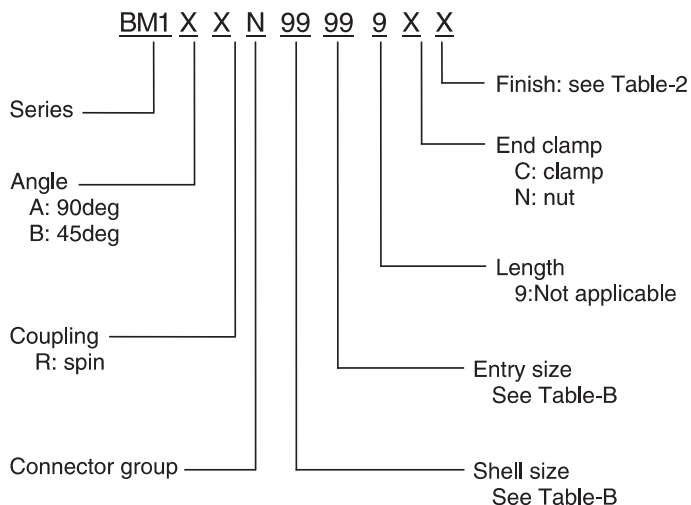
Straight

| TABLE - A                       |            |        |                      |             |       |      |       |         |        |         |       |
|---------------------------------|------------|--------|----------------------|-------------|-------|------|-------|---------|--------|---------|-------|
| AMPHENOL PART NUMBER DESIGNATOR |            |        | CONNECTOR SHELL SIZE | CABLE RANGE |       |      |       | L (MAX) |        | Y (MAX) |       |
| SHELL SIZE                      | ENTRY SIZE | LENGTH |                      | MIN         |       | MAX  |       | INCH    | MM     | INCH    | MM    |
|                                 |            |        |                      | INCH        | MM    | INCH | MM    |         |        |         |       |
| 22                              | 04         | 1      | 22                   | 0.56        | 14.27 | 0.75 | 19.05 | 1.53    | 38.86  | 1.38    | 35.05 |
|                                 |            | 2      |                      |             |       |      |       | 2.53    | 64.26  |         |       |
|                                 |            | 3      |                      |             |       |      |       | 3.53    | 89.66  |         |       |
|                                 |            | 4      |                      |             |       |      |       | 4.53    | 115.06 |         |       |
|                                 | 05         | 1      |                      | 0.69        | 17.45 | 0.88 | 22.23 | 1.53    | 38.86  | 1.50    | 38.10 |
|                                 |            | 2      |                      |             |       |      |       | 2.53    | 64.26  |         |       |
|                                 |            | 3      |                      |             |       |      |       | 3.53    | 89.66  |         |       |
|                                 |            | 4      |                      |             |       |      |       | 4.53    | 115.06 |         |       |
|                                 | 06         | 1      |                      | 0.81        | 20.62 | 1.00 | 25.40 | 1.53    | 38.86  | 1.63    | 41.40 |
|                                 |            | 2      |                      |             |       |      |       | 2.53    | 64.26  |         |       |
|                                 |            | 3      |                      |             |       |      |       | 3.53    | 89.66  |         |       |
|                                 |            | 4      |                      |             |       |      |       | 4.53    | 115.06 |         |       |
|                                 | 07         | 1      |                      | 0.94        | 23.80 | 1.13 | 28.58 | 1.53    | 38.86  | 1.75    | 44.45 |
|                                 |            | 2      |                      |             |       |      |       | 2.53    | 64.26  |         |       |
|                                 |            | 3      |                      |             |       |      |       | 3.53    | 89.66  |         |       |
|                                 |            | 4      |                      |             |       |      |       | 4.53    | 115.06 |         |       |
| 24                              | 01         | 1      | 24                   | 0.31        | 7.92  | 0.50 | 12.70 | 1.53    | 38.86  | 1.16    | 29.46 |
|                                 |            | 2      |                      |             |       |      |       | 2.53    | 64.26  |         |       |
|                                 |            | 3      |                      |             |       |      |       | 3.53    | 89.66  |         |       |
|                                 |            | 4      |                      |             |       |      |       | 4.53    | 115.06 |         |       |
|                                 | 02         | 1      |                      | 0.44        | 11.10 | 0.63 | 15.88 | 1.53    | 38.86  | 1.25    | 31.75 |
|                                 |            | 2      |                      |             |       |      |       | 2.53    | 64.26  |         |       |
|                                 |            | 3      |                      |             |       |      |       | 3.53    | 89.66  |         |       |
|                                 |            | 4      |                      |             |       |      |       | 4.53    | 115.06 |         |       |
|                                 | 03         | 1      |                      | 0.56        | 14.27 | 0.75 | 19.05 | 1.53    | 38.86  | 1.38    | 35.05 |
|                                 |            | 2      |                      |             |       |      |       | 2.53    | 64.26  |         |       |
|                                 |            | 3      |                      |             |       |      |       | 3.53    | 89.66  |         |       |
|                                 |            | 4      |                      |             |       |      |       | 4.53    | 115.06 |         |       |
|                                 | 04         | 1      |                      | 0.69        | 17.45 | 0.88 | 22.23 | 1.53    | 38.86  | 1.50    | 38.10 |
|                                 |            | 2      |                      |             |       |      |       | 2.53    | 64.26  |         |       |
|                                 |            | 3      |                      |             |       |      |       | 3.53    | 89.66  |         |       |
|                                 |            | 4      |                      |             |       |      |       | 4.53    | 115.06 |         |       |
|                                 | 05         | 1      |                      | 0.81        | 20.62 | 1.00 | 25.40 | 1.53    | 38.86  | 1.63    | 41.40 |
|                                 |            | 2      |                      |             |       |      |       | 2.53    | 64.26  |         |       |
|                                 |            | 3      |                      |             |       |      |       | 3.53    | 89.66  |         |       |
|                                 |            | 4      |                      |             |       |      |       | 4.53    | 115.06 |         |       |
|                                 | 06         | 1      |                      | 0.94        | 23.80 | 1.13 | 28.58 | 1.53    | 38.86  | 1.75    | 44.45 |
|                                 |            | 2      |                      |             |       |      |       | 2.53    | 64.26  |         |       |
|                                 |            | 3      |                      |             |       |      |       | 3.53    | 89.66  |         |       |
|                                 |            | 4      |                      |             |       |      |       | 4.53    | 115.06 |         |       |
|                                 | 07         | 1      |                      | 1.06        | 26.97 | 1.25 | 31.75 | 1.53    | 38.86  | 1.88    | 47.75 |
|                                 |            | 2      |                      |             |       |      |       | 2.53    | 64.26  |         |       |
|                                 |            | 3      |                      |             |       |      |       | 3.53    | 89.66  |         |       |
|                                 |            | 4      |                      |             |       |      |       | 4.53    | 115.06 |         |       |





#### Amphenol Part Number



**NOTE:** \* For more cable entry options, contact factory

| TABLE - B                       |            |                      |             |       |      |       |              |       |         |       |         |       |         |       |         |       |         |       |
|---------------------------------|------------|----------------------|-------------|-------|------|-------|--------------|-------|---------|-------|---------|-------|---------|-------|---------|-------|---------|-------|
| AMPHENOL PART NUMBER DESIGNATOR |            | CONNECTOR SHELL SIZE | CABLE RANGE |       |      |       | A DIA. (MAX) |       | B (MAX) |       | C (MAX) |       | D (MAX) |       | E (MAX) |       | Y (MAX) |       |
| SHELL SIZE                      | ENTRY SIZE |                      | MIN         |       | MAX  |       | INCH         | MM    | INCH    | MM    | INCH    | MM    | INCH    | MM    | INCH    | MM    | INCH    | MM    |
|                                 |            |                      | INCH        | MM    | INCH | MM    |              |       |         |       |         |       |         |       |         |       |         |       |
| 08                              | 01         | 8                    | 0.06        | 1.57  | 0.13 | 3.18  | 0.75         | 19.05 | 0.46    | 11.68 | 3.15    | 80.01 | 0.69    | 17.53 | 3.46    | 87.88 | 0.78    | 19.81 |
|                                 | 02         |                      | 0.13        | 3.18  | 0.25 | 6.35  |              |       |         |       |         |       |         |       |         |       | 0.97    | 24.64 |
| 10                              | 01         | 10                   | 0.06        | 1.57  | 0.13 | 3.18  | 0.85         | 21.59 | 0.52    | 13.21 | 3.21    | 81.53 | 0.78    | 19.81 | 3.58    | 90.93 | 0.78    | 19.81 |
|                                 | 02         |                      | 0.13        | 3.18  | 0.25 | 6.35  |              |       |         |       |         |       |         |       |         |       | 0.97    | 24.64 |
|                                 | 03         |                      | 0.25        | 6.35  | 0.38 | 9.53  |              |       |         |       |         |       |         |       |         |       | 1.06    | 26.92 |
| 12                              | 01         | 12                   | 0.13        | 3.18  | 0.25 | 6.35  | 1.00         | 25.40 | 0.58    | 14.73 | 3.27    | 83.06 | 0.80    | 20.32 | 3.60    | 91.44 | 0.97    | 24.64 |
|                                 | 02         |                      | 0.25        | 6.35  | 0.38 | 9.53  |              |       |         |       |         |       |         |       |         |       | 1.06    | 26.92 |
|                                 | 03         |                      | 0.31        | 7.92  | 0.50 | 12.70 |              |       |         |       |         |       |         |       |         |       | 1.16    | 29.46 |
| 14                              | 01         | 14                   | 0.13        | 3.18  | 0.25 | 6.35  | 1.15         | 29.21 | 0.65    | 16.51 | 3.36    | 85.34 | 0.88    | 22.35 | 3.67    | 93.22 | 0.97    | 24.64 |
|                                 | 02         |                      | 0.25        | 6.35  | 0.38 | 9.53  |              |       |         |       |         |       |         |       |         |       | 1.06    | 26.92 |
|                                 | 03         |                      | 0.31        | 7.92  | 0.50 | 12.70 |              |       |         |       |         |       |         |       |         |       | 1.16    | 29.46 |
|                                 | 04         |                      | 0.44        | 11.10 | 0.63 | 15.88 |              |       |         |       |         |       |         |       |         |       | 1.25    | 31.75 |

Table Continued

Connector Group - N

90°, 45°

| TABLE - B                             |               |                         |             |       |      |       |              |       |         |       |         |       |         |       |         |        |         |       |
|---------------------------------------|---------------|-------------------------|-------------|-------|------|-------|--------------|-------|---------|-------|---------|-------|---------|-------|---------|--------|---------|-------|
| AMPHENOL<br>PART NUMBER<br>DESIGNATOR |               | CONNECTOR<br>SHELL SIZE | CABLE RANGE |       |      |       | A DIA. (MAX) |       | B (MAX) |       | C (MAX) |       | D (MAX) |       | E (MAX) |        | Y (MAX) |       |
| SHELL<br>SIZE                         | ENTRY<br>SIZE |                         | MIN         |       | MAX  |       | INCH         | MM    | INCH    | MM    | INCH    | MM    | INCH    | MM    | INCH    | MM     | INCH    | MM    |
|                                       |               |                         | INCH        | MM    | INCH | MM    |              |       |         |       |         |       |         |       |         |        |         |       |
| 16                                    | 01            | 16                      | 0.13        | 3.18  | 0.25 | 6.35  | 1.25         | 31.75 | 0.74    | 18.80 | 3.47    | 88.14 | 0.93    | 23.62 | 3.76    | 95.50  | 0.97    | 24.64 |
|                                       | 02            |                         | 0.25        | 6.35  | 0.38 | 9.53  |              |       |         |       |         |       |         |       |         |        | 1.06    | 26.92 |
|                                       | 03            |                         | 0.31        | 7.92  | 0.50 | 12.70 |              |       |         |       |         |       |         |       |         |        | 1.16    | 29.46 |
|                                       | 04            |                         | 0.44        | 11.10 | 0.63 | 15.88 |              |       |         |       |         |       |         |       |         |        | 1.25    | 31.75 |
|                                       | 05            |                         | 0.56        | 14.27 | 0.75 | 19.05 |              |       |         |       |         |       |         |       |         |        | 1.38    | 35.05 |
| 18                                    | 01            | 18                      | 0.25        | 6.35  | 0.38 | 9.53  | 1.40         | 35.56 | 0.93    | 23.62 | 3.66    | 92.96 | 1.01    | 25.65 | 3.93    | 99.82  | 1.06    | 26.92 |
|                                       | 02            |                         | 0.31        | 7.92  | 0.50 | 12.70 |              |       |         |       |         |       |         |       |         |        | 1.16    | 29.46 |
|                                       | 03            |                         | 0.44        | 11.10 | 0.63 | 15.88 |              |       |         |       |         |       |         |       |         |        | 1.25    | 31.75 |
|                                       | 04            |                         | 0.56        | 14.27 | 0.75 | 19.05 |              |       |         |       |         |       |         |       |         |        | 1.38    | 35.05 |
|                                       | 05            |                         | 0.69        | 17.45 | 0.88 | 22.23 |              |       |         |       |         |       |         |       |         |        | 1.50    | 38.10 |
| 20                                    | 01            | 20                      | 0.25        | 6.35  | 0.38 | 9.53  | 1.55         | 39.37 | 0.93    | 23.62 | 3.66    | 92.96 | 1.06    | 26.92 | 3.93    | 99.82  | 1.06    | 26.92 |
|                                       | 02            |                         | 0.31        | 7.92  | 0.50 | 12.70 |              |       |         |       |         |       |         |       |         |        | 1.16    | 29.46 |
|                                       | 03            |                         | 0.44        | 11.10 | 0.63 | 15.88 |              |       |         |       |         |       |         |       |         |        | 1.25    | 31.75 |
|                                       | 04            |                         | 0.56        | 14.27 | 0.75 | 19.05 |              |       |         |       |         |       |         |       |         |        | 1.38    | 35.05 |
|                                       | 05            |                         | 0.69        | 17.45 | 0.88 | 22.23 |              |       |         |       |         |       |         |       |         |        | 1.50    | 38.10 |
|                                       | 06            |                         | 0.81        | 20.62 | 1.00 | 25.40 |              |       |         |       |         |       |         |       |         |        | 1.63    | 41.40 |
| 22                                    | 01            | 22                      | 0.25        | 6.35  | 0.38 | 9.53  | 1.65         | 41.91 | 1.02    | 25.91 | 3.81    | 96.77 | 1.17    | 29.72 | 4.04    | 102.62 | 1.06    | 26.92 |
|                                       | 02            |                         | 0.31        | 7.92  | 0.50 | 12.70 |              |       |         |       |         |       |         |       |         |        | 1.16    | 29.46 |
|                                       | 03            |                         | 0.44        | 11.10 | 0.63 | 15.88 |              |       |         |       |         |       |         |       |         |        | 1.25    | 31.75 |
|                                       | 04            |                         | 0.56        | 14.27 | 0.75 | 19.05 |              |       |         |       |         |       |         |       |         |        | 1.38    | 35.05 |
|                                       | 05            |                         | 0.69        | 17.45 | 0.88 | 22.23 |              |       |         |       |         |       |         |       |         |        | 1.50    | 38.10 |
|                                       | 06            |                         | 0.81        | 20.62 | 1.00 | 25.40 |              |       |         |       |         |       |         |       |         |        | 1.63    | 41.40 |
|                                       | 07            |                         | 0.94        | 23.80 | 1.13 | 28.58 |              |       |         |       |         |       |         |       |         |        | 1.75    | 44.45 |
| 24                                    | 01            | 24                      | 0.31        | 7.92  | 0.50 | 12.70 | 1.85         | 46.99 | 1.02    | 25.91 | 3.81    | 96.77 | 1.18    | 29.97 | 4.04    | 102.62 | 1.16    | 29.46 |
|                                       | 02            |                         | 0.44        | 11.10 | 0.63 | 15.88 |              |       |         |       |         |       |         |       |         |        | 1.25    | 31.75 |
|                                       | 03            |                         | 0.56        | 14.27 | 0.75 | 19.05 |              |       |         |       |         |       |         |       |         |        | 1.38    | 35.05 |
|                                       | 04            |                         | 0.69        | 17.45 | 0.88 | 22.23 |              |       |         |       |         |       |         |       |         |        | 1.50    | 38.10 |
|                                       | 05            |                         | 0.81        | 20.62 | 1.00 | 25.40 |              |       |         |       |         |       |         |       |         |        | 1.63    | 41.40 |
|                                       | 06            |                         | 0.94        | 23.80 | 1.13 | 28.58 |              |       |         |       |         |       |         |       |         |        | 1.75    | 44.45 |
|                                       | 07            |                         | 1.06        | 26.97 | 1.25 | 31.75 |              |       |         |       |         |       |         |       |         |        | 1.88    | 47.75 |

