

| CHARACTERISTICS         |        |                         |
|-------------------------|--------|-------------------------|
| NUMBER OF CONTACTS      | INSERT | 6 + PE                  |
| TERMINATION             | INSERT | SCREW                   |
| WIRE GAUGE              | INSERT | 0.25-2.5mm <sup>2</sup> |
| FLAMMABILITY            | INSERT | V-0                     |
| IP DEGREE OF PROTECTION | SHELL  | IP65                    |

| ELECTRICAL CHARACTERISTICS (INSERT) |                         |                        |
|-------------------------------------|-------------------------|------------------------|
| RATED VOLTAGE                       | DIN EN 60664-1          | 500V (600V UL/CSA)     |
| RATED IMPULSE VOLTAGE               | DIN EN 60664-1          | 6000V                  |
| RATED CURRENT AT 40°C               |                         | 22A                    |
| VOLTAGE PROOF                       | DIN EN 60512-2, TEST 4a | 2.800V                 |
| INSTALLATION CATEGORY               | DIN EN 60664-1          | III                    |
| INSULATION GROUP                    | DIN EN 60664-1          | IIIb                   |
| INSULATION RESISTANCE               | DIN EN 60512-2, TEST 3a | >10 <sup>12</sup> OHMS |
| CONTACT RESISTANCE                  | DIN EN 60512-2, TEST 2a | <5m OHMS               |
| CLEARANCE                           | DIN VDE 0627            | >4.0mm                 |
| CREEPAGE                            | DIN VDE 0627            | >6.3mm                 |
| CURRENT CARRYING CAP.               | DIN EN 60512-3, TEST 5b | DERATED                |
| POLLUTION DEGREE                    | DIN EN 60664-1          | 3                      |

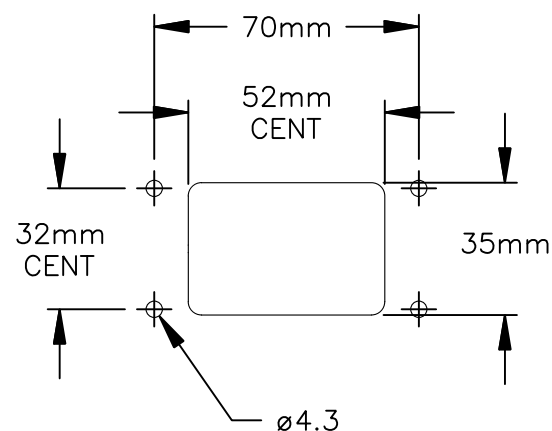
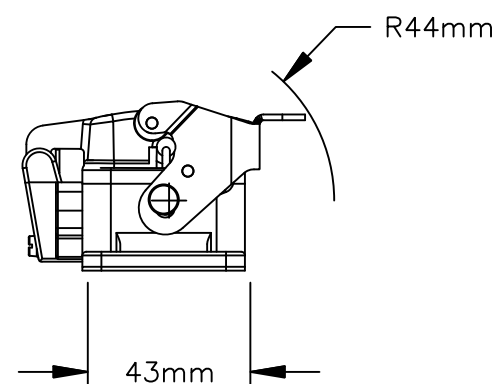
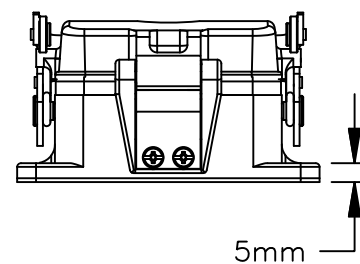
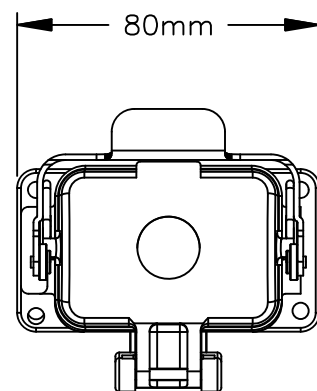
| MECHANICAL CHARACTERISTICS |                             |                    |
|----------------------------|-----------------------------|--------------------|
| INSERTION FORCE            | DIN EN 60512-13-2, TEST 13b | 20-30N             |
| WITHDRAWAL FORCE           | DIN EN 60512-13-2, TEST 13b | 20-30N             |
| MECHANICAL LIFETIME        | IEC 60512-5, TEST 9a        | >500 MATING CYCLES |

| CLIMATICAL CHARACTERISTICS |  |                |
|----------------------------|--|----------------|
| TEMPERATURE RANGE          |  | -40°C TO 100°C |
| UPPER TEMPERATURE          |  | 100°C/1000H    |
| LOWER TEMPERATURE          |  | -40°C/16H      |

| MATERIALS             |  |        |
|-----------------------|--|--------|
| INSERT                |  | PC GV  |
| COLOR                 |  | GRAY   |
| CONTACT PLATING       |  | SILVER |
| KNURLED SCREW AND NUT |  | CuZn   |
| GASKET                |  | NBR    |

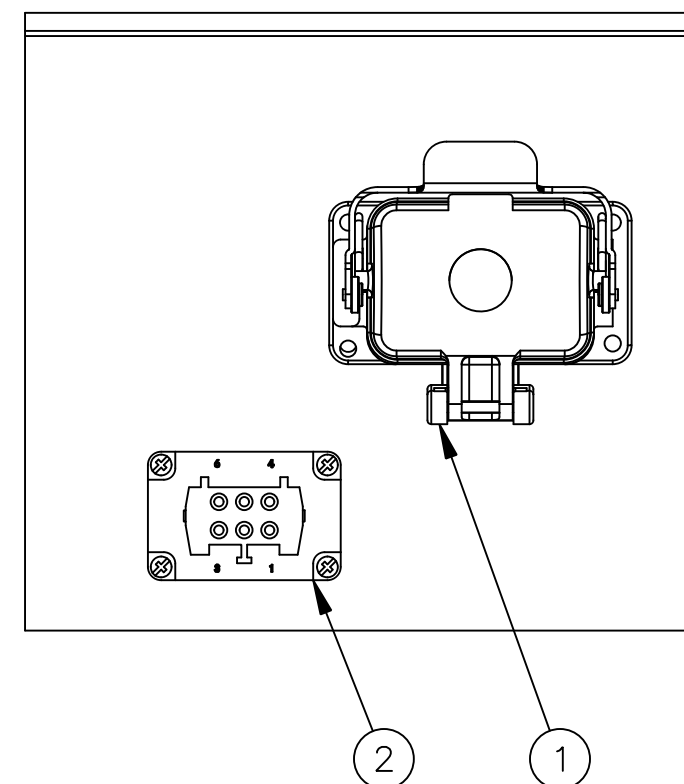
C146 10E 006 9421

| REVISIONS |     |                  |      |    |      |
|-----------|-----|------------------|------|----|------|
| REV       | ECD | DESCRIPTION      | DATE | BY | APPR |
| 01        | -   | CUSTOMER DRAWING | -    | -  | -    |



PANEL CUTOUT

ILLUSTRATION: COMPLETE KIT



| QUANTITY | PART NUMBER    | DESCRIPTION                      | ITEM |
|----------|----------------|----------------------------------|------|
| 1        | C14610B0061021 | INSERT, FEMALE, 6POS             | 2    |
| 1        | C14610F0060031 | RECEPTACLE, SIZE 6, SPRING COVER | 1    |

| MATERIALS LIST                        |  |  |         |
|---------------------------------------|--|--|---------|
| UNLESS OTHERWISE SPECIFIED            |  | SIGNATURES   | DATE    |
| 1) All dimensions are in metric (mm). |  | DRAWN: MRF   | 11OCT13 |
| 2) Tolerances are as follows:         |  | CHECKED:   |         |
| 1 PL DEC ±0.30                        |  | ENGINEER:  |         |
| 2 PL DEC ±0.15                        |  | APPROVAL:  |         |
| 3 PL DEC ±0.08                        |  | CUSTOMER:  |         |
| 3) Note reference =                   |  | THIS DRAWING IS SUPPLIED FOR INFORMATION ONLY. DESIGN FEATURES, SPECIFICATIONS AND PERFORMANCE DATA SHOWN HEREON ARE THE PROPERTY OF THE AMPHENOL CORPORATION. NO RIGHTS OF REPRODUCTION ARE IMPLIED. ALL DIMENSIONS ARE SUBJECT TO NORMAL MANUFACTURING VARIATIONS. |         |
| MATERIAL SPECIFICATIONS:              |  | SIZE: B C-   |         |
| PROCESS SPECIFICATIONS:               |  | DWG NO: C14610E0069421   |         |
| NEXT ASSY:                            |  | REVISION: 01   |         |
|                                       |  | SCALE: NONE  |         |
|                                       |  | SHEET 1 OF 1   |         |

**Amphenol**

Sine Systems - www.amphenol-sine.com  
44724 Morley Drive  
Clinton Township, MI 48036

KIT, HEAVYMATE

TITLE:

KIT, HEAVYMATE

DWG NO: C14610E0069421

REV: 01

SH: 1

DF: 1