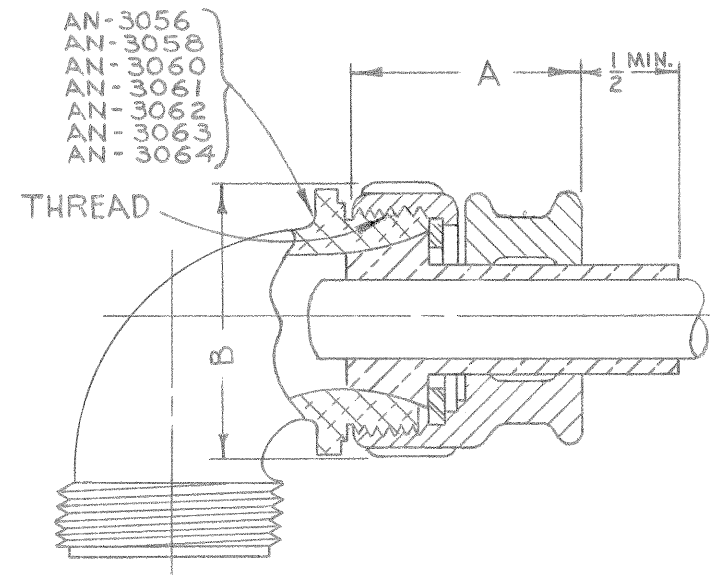
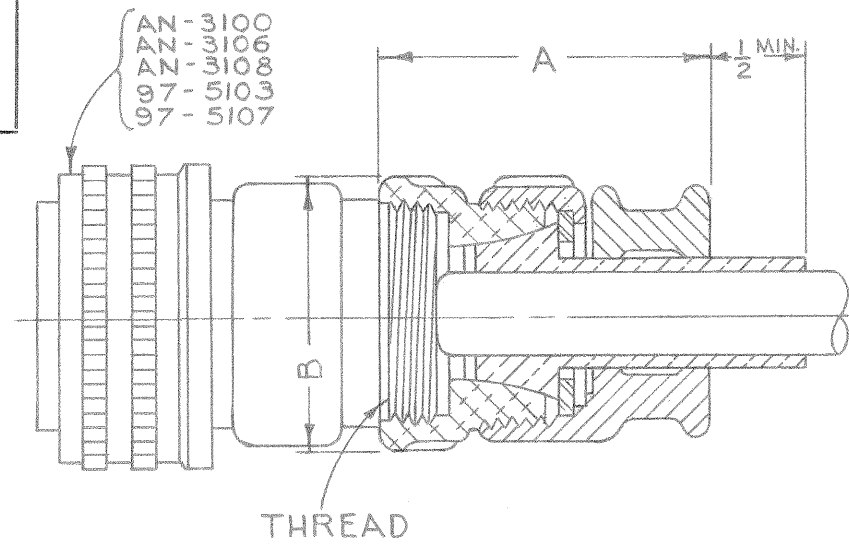


NOTICE - These drawings, specifications, or other data (1) are, and remain the property of Amphenol Corporation (2) must be returned upon request; and (3) are confidential and are not to be disclosed to any person other than those to whom they are given by Amphenol Corporation. The furnishing of these drawings, specifications, or other data by Amphenol Corporation, or by any other person, to anyone for any purpose is not to be regarded by implication or otherwise as in any manner licensing, granting rights or permitting such holder or any other person to manufacture, use or sell any product, process or design, patented or otherwise, that may in any way be related to or disclosed by said drawings, specifications or other data.



REVISIONS				
SYM	ZONE	DESCRIPTION	DATE	APPROVED
G		REVISED & REDRAWN CN 27230	8-12-65	JH
H	B4	P/N 9767-44-24 OBSOLETE. C.N. 29594 J.B.	11-7-67	JH
J	C-4	P/N 9767-10-3 OBSOLETE CN30051 B.D.	8-12-68	JH
K		CANCEL SIZES 9767-40-20 & 9760-40-24 PER ECN # 43015-A	11/22/77	JH
L		CANCELLED 9767-36-24 CN 44261	11-6-81	JH
M		ECO DOCUMENT NOS. INCORPORATED CHANGED FSCM NO. TO 77820 ECN: 75005-342	9/13/87	JH
N		(CLII) SEE CHANGE NOTICE ECN: 81193	1-16-86	JED
P		(CLII) SEE ECN: 81773	7-22-86	JED

OBSOLETE

AMPHENOL NO.	CATALOGUE NO.	CABLE	FITTING	CONNECTOR	THREAD	A	B	ADAPTER	CLAMP * LESS 2 WASH.	BUSHING	WASHER ONLY
97-67-3	10-825923-3	5/32	3		1/2-28	1	21/32		AN-3057-3	9779-31	9776-3
97-67-12-3	10-825923-121	5/32		85-10S	1/2-28	1 1/32	21/32	3055-10-3	AN-3057-3	9779-31	9776-3
97-67-4	-4	7/32	4		1/2-28	1	25/32		AN-3057-4	9779-41	9776-4
97-67-12-4	-122	7/32		85-10S	1/2-28	1 1/32	11/16	3055-10-4	AN-3057-4	9779-41	9776-4
97-67-14-4	-141	7/32		12S-12	5/8-24	1 1/32	25/32	3055-12-4	AN-3057-4	9779-41	9776-4
97-67-16-4	-161	7/32		14S-14	3/4-20	1 1/32	29/32	3055-14-4	AN-3057-4	9779-41	9776-4
97-67-6	-6	11/32	6		3/4-20	1 5/64	29/32		AN-3057-6	9779-61	9776-6
97-67-14-6	-142	11/32		10SL	5/8-24	1 5/64	25/32	3055-12-6	AN-3057-6	9779-61	9776-6
97-67-16-6	-162	11/32		14S-14	3/4-20	1 5/32	29/32	3055-14-6	AN-3057-6	9779-61	9776-6
97-67-18-6	-181	11/32		16S-16	7/8-20	1 5/32	11/16	3055-16-6	AN-3057-6	9779-61	9776-6
97-67-8	-8	7/16	8		7/8-20	1 1/8	1 1/16		AN-3057-8	9779-81	9776-8
97-67-16-8	-163	7/16		16S-16	7/8-20	1 5/32	1 1/16	3055-16-8	AN-3057-8	9779-81	9776-8
97-67-18-8	-182	7/16		18	1-20	1 5/32	1 3/16	3055-18-8	AN-3057-8	9779-81	9776-8
97-67-22-8	-221	7/16		20-22	1 3/16-18	1 5/32	1 3/8	3055-22-8	AN-3057-8	9779-81	9776-8
97-67-10	-10	9/16	10		1-20	1 1/8	1 3/16		AN-3057-10	9779-101	9776-10
97-67-18-10	-183	9/16		18	1-20	1 5/32	1 3/16	3055-18-10	AN-3057-10	9779-101	9776-10
97-67-22-10	-222	9/16		20-22	1 3/16-18	1 5/32	1 3/8	3055-22-10	AN-3057-10	9779-101	9776-10
97-67-28-10	-281	9/16		24-28	1 7/16-18	1 5/32	1 5/8	3055-28-10	AN-3057-10	9779-101	9776-10
97-67-12	-12	11/16	12		1 3/16-18	1 3/16	1 3/8		AN-3057-12	9779-121	9776-12
97-67-22-12	-223	11/16		20-22	1 3/16-18	1 21/32	1 3/8	3055-22-12	AN-3057-12	9779-121	9776-12
97-67-28-12	-282	11/16		24-28	1 7/16-18	1 21/32	1 5/8	3055-28-12	AN-3057-12	9779-121	9776-12
97-67-32-12	-321	11/16		32	1 3/4-18	1 23/32	1 5/16	3055-32-12	AN-3057-12	9779-121	9776-12
97-67-16	-16	27/32	16		1 7/16-18	1 5/16	1 5/8		AN-3057-16	9779-161	9776-16
97-67-28-16	-283	27/32		24-28	1 7/16-18	1 29/32	1 5/8	3055-28-16	AN-3057-16	9779-161	9776-16
97-67-32-16	-322	27/32		32	1 3/4-18	1 27/32	1 5/16	3055-32-16	AN-3057-16	9779-161	9776-16
97-67-36-16	-361	27/32		36	2-18	1 31/32	2 3/16	3055-36-16	AN-3057-16	9779-161	9776-16
97-67-32-20	-20	1 1/32	20		1 3/4-18	1 1/2	1 5/16		AN-3057-20	9779-201	9776-20
97-67-32-20	-323	1 1/32		32	1 3/4-18	1 31/32	1 5/16	3055-32-20	AN-3057-20	9779-201	9776-20
97-67-32-20	-362	1 1/32		36	2-18	2 11/32	2 3/16	3055-36-20	AN-3057-20	9779-201	9776-20
97-67-32-20	-401	1 1/32		40	2 1/4-16	2 3/32	2 7/16	3055-40-20	AN-3057-20	9779-201	9776-20
97-67-24	-24	1 3/16	24		2-18	1 9/16	2 3/16		AN-3057-24	9779-241	9776-24
97-67-44-24	-402	1 3/16		40	2 1/4-16	2 3/32	2 7/16	3055-40-24	AN-3057-24	9779-241	9776-24
97-67-44-24	9767-44-24	1 3/16		44	2 1/2-16	2 7/32	2 11/16	3055-44-24	AN-3057-24	9779-241	9776-24
97-67-28	10-825923-28	1 3/8	28		2 1/4-16	1 9/16	2 1/2		AN-3057-28	9779-281	9776-28
97-67-48-28	-481	1 3/8		48	3-16	2 11/32	3 3/16	3055-48-28	AN-3057-28	9779-281	9776-28
97-67-32	-32	1 5/8	32		2 1/2-16	1 9/16	2 3/4		AN-3057-32	9779-321	9776-32
97-67-44-32	-441	1 5/8		44	2 1/2-16	2 7/32	2 11/16	3055-44-32	AN-3057-32	9779-321	9776-32
97-67-40	-40	2	40		3-16	1 5/8	3 1/4		AN-3057-40	9779-401	9776-40

OBSOLETE

IDENTIFY PACKAGE WITH "AMPHENOL" AND AMPHENOL PART NUMBER. EXAMPLE: 97-67-14-4

9) ADDED TO NUMBER INDICATES CLAMP LESS TWO WASHERS. LESS (1) 10-825925-XX & LESS (1) 10-825924-XX WASHER.

UNLESS OTHERWISE SPECIFIED  
LINEAR DIMENSIONS ARE IN INCHES  
TOLERANCES: .XXX ± .010,  
.XX ± .03, .X ± .1, ANGLES ± 2°  
OTHER STANDARDS PER 9-3800  
AND DOD-D-1000.

DRAWN	HOFRICHTER	DATE	8-12-65
CHECKED	J.H. L.X.		8-16-65
APPROVED	G.H.		8-16-65
ENGINEERING RELEASE			
No.	11		7-23-43
INDUSTRIAL ENGRG APPD.			
DESIGN ACTIVITY APPD.			
EXPERIMENTAL NO.			
FINAL ASSEMBLY	NEXT USED ON		
MATERIAL			
FINISH			

ITEM NO.	PART OR IDENTIFYING NO.	QTY REQD	NOMENCLATURE OR DESCRIPTION
LIST OF MATERIALS OR PARTS LIST			
<p align="center"><b>AMPHENOL CONNECTOR DIVISION</b> AMPHENOL CORPORATION CHICAGO, ILLINOIS 60650</p>			
TITLE			
WATERTIGHT CLAMP ASSEMBLY			
SIZE	FSCM NO.	REV	
C	77820	P	10-825923
SCALE	WT. EST.	ACT.	SHEET OF

TAB.

9767

B

A