

8 PIN OCTAL SOCKET ASSEMBLIES

PHYSICAL PROPERTIES

208BR, 218BR, 318BR

RATING: 10A, 150V

SCREWS: #4-40 zinc plated with clear chromate, with wire clamp

WIRE RANGE: 14-22 AWG

MOUNTING:

208BR, 218BR: TK/TK2D Series SNAPTRACK Channel

318BR: 2TK/2TK2D Series SNAPTRACK Channel

BAILS: RB1, TB1(see accessory page 231)

608BR

RATING: 10A, 250V

SCREWS: #6-32 zinc plated with wire clamp

WIRE RANGE: 12-22 AWG

MOUNTING: TK/TK2D Series SNAPTRACK Channel

BAILS: RB1, TB1(see accessory page 231)

SM8

RATING: 10A, 300V

MATERIAL: ABS

FLAMMABILITY: UL94V-0

CONTACTS: Tin over copper-plated phosphor-bronze.

SCREWS: #6-32 zinc plated with clear chromate with wire clamping plates

WIRE RANGE: 12-22 AWG

MOUNTING: 2TK/2TK2D Series SNAPTRACK Channel

MAX. OPERATING TEMPERATURE: 60° C

RELATED PRODUCT DATA:

SOCKETS ON THIS PAGE WILL FIT THE FOLLOWING RELAYS:

AGASTAT RELAY SERIES:

48K, SCB, SCC, SCE, SRC, SSC, SST, VMA

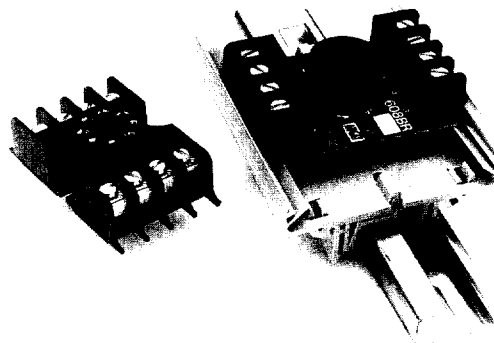
P&B RELAY SERIES:

CB, CD, CG, CH, CK, CR, CN1, CNS, CS, KRP/KRPA, KR-E, S89R_P

SCHRACK RELAY SERIES:

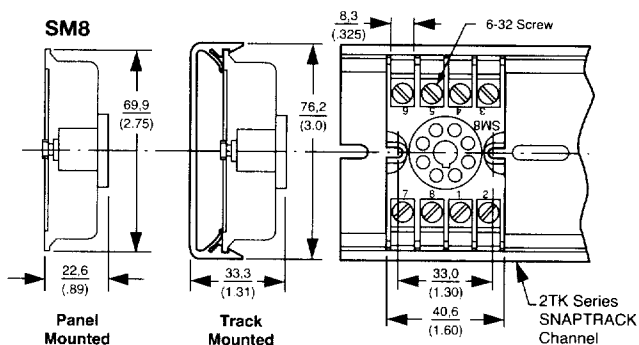
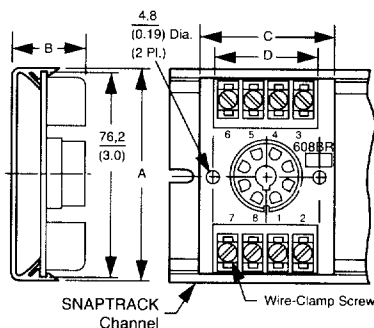
MT

FOR MORE INFORMATION ON RELAYS REQUEST CATALOG 1308606.



SM8 and 608BR

318BR, 208BR, 608BR, 218BR



Ordering Information

CATALOG NUMBER	TRACK SIZE	A	B	C	D
208BR	TK/TK(2D)	(3.16) 80,3	(1.13) 28,7	(2.00) 50,8	(1.69) 42,9
218BR	TK/TK(2D)	(3.16) 80,3	(1.13) 28,7	(1.50) 38,1	—
318BR	2TK(2D)	(2.90) 73,7	(1.13) 28,7	(1.50) 38,1	—
608BR	TK(2D)	(3.16) 80,3	(1.13) 28,7	(2.00) 50,8	(1.69) 42,9
SM8	2TK2	—	—	—	—

Note: SM8 is a molded product with mounting holes provided.



LR49571 E58648