

**DIP AND ZIF SOCKETS**

**PHYSICAL PROPERTIES**

**Connector:**

TERMINAL: Contacts copper alloy, gold over nickel

**Terminal Block (2MA Series):**

HOUSING MATERIAL: Thermoplastic polyester

FLAMMABILITY: UL94V-0

COLOR: Black

MAX. OPERATING TEMPERATURE: 120°C

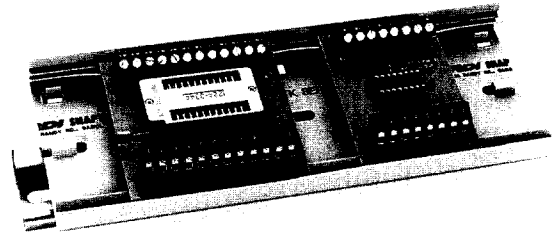
TERMINALS: Bright acid-tin over copper alloy

SCREWS: #3-48, steel zinc plated

WIRE RANGE: 12-22 AWG

MOUNTING: 2TK2 and 2TK2D Series

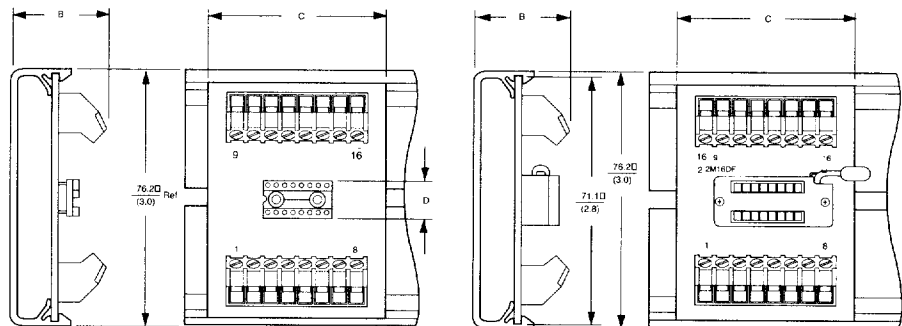
SNAPTRACK Channel



**2M24DPZ and 2M16DP**

**2M16DP**

**2M16DPZ**



**Ordering Information**

# OF POSITIONS	CATALOG NUMBER	B	C	SOCKET PIN SPACING GRID SIZE D
<b>DIP Socket to Screw Terminal</b>				
8	2M08DP	(1.05) 26.7	(1.20) 30.5	(.100 x .300)
16	2M16DP	(1.05) 26.7	(2.00) 50.8	2.5 x 7.6
24	2M24DP	(1.05) 26.7	(2.80) 71.1	(.100 x .600)
40	2M40DP	(1.05) 26.7	(4.40) 111.8	2.5 x 15.2
<b>ZIF Socket to Screw Terminal</b>				
16	2M16DPZ	(1.40) 35.6	(2.00) 50.8	—
24	2M24DPZ	(1.40) 35.6	(2.80) 71.1	—
40	2M40DPZ	(1.40) 35.6	(4.40) 111.8	—

**Note:** ZIF denotes zero insertion force.