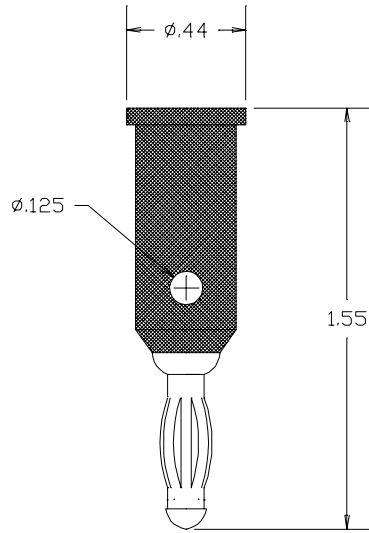


DATE	SYM	REVISION RECORD	AUTH.	DR.	CK.
8/19/96	-	ISSUED		NT	MM



MATERIAL: PLUG BODY- BRASS PER ASTM B16
 SPRING- BERYLLIUM COPPER
 HANDLE- ABS, COLOR: 10- BLACK
 SET SCREW- STEEL
 FINISH: PLUG BODY- GOLD
 SPRING- GOLD
 SET SCREW- ZINC

TOLERANCES (EXCEPT AS NOTED)	CONCORD ELECTRONICS CORPORATION		
DECIMAL .XX ±.01 .XXX ±.010	P/N	SCALE 2:1	30 GREAT JONES ST. NEW YORK N.Y. 10012
FRACTIONAL + - 1/64	TITLE BANANA PLUG		
ANGULAR + -	DATE 10-25-95	DRAWING NUMBER 25-2022-1-0310	