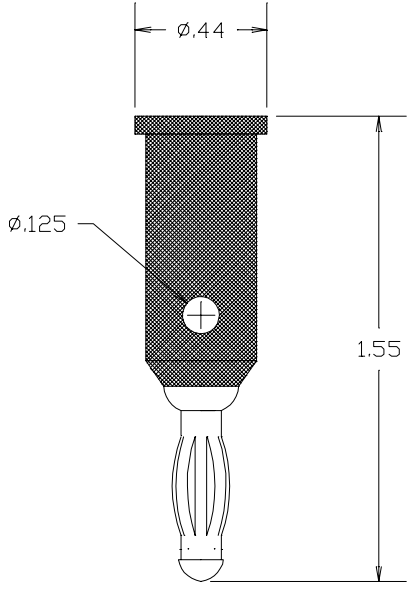


DATE	SYM	REVISION	RECORD	AUTH.	DR.	CK.
8/19/96	-	ISSUED			NT	MM



MATERIAL: PLUG BODY- BRASS PER ASTM B16
 SPRING- BERYLLIUM COPPER
 HANDLE- ABS, COLOR: 12-RED
 SET SCREW- STEEL

FINISH: PLUG BODY- GOLD
 SPRING- GOLD
 SET SCREW- ZINC

TOLERANCES (EXCEPT AS NOTED)	CONCORD ELECTRONICS CORPORATION				
DECIMAL $.XX \pm .01$ $.XXX \pm .010$	P/N	SCALE 2:1	30 GREAT JONES ST. NEW YORK N.Y. 10012		
FRACTIONAL $\pm \frac{1}{64}$	TITLE BANANA PLUG				
ANGULAR \pm $-$	DATE 10-25-95	DRAWING NUMBER 25-2022-1-0312			