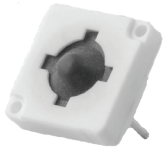


MD & MDP Series



MD
(Soft Actuator)



MDP
(Hard Actuator)

Features

- Short travel
- Good tactile feedback
- Self cleaning
- 2 actuator materials
- RoHS

Typical Applications

- Aircraft
- Instrument
- Panels
- Radio equipment

Specification

FUNCTION: Momentary action
CONTACT TYPE: Normally open - SPST
TERMINALS: Through hole PCB terminations

Mechanical

	Operating force (N)	Tactile feeling ($\Delta\%$)	Operating life	Travel (mm)
MD	2,4 N \pm 25%	\geq 15%	1,000,000	0.95 mm \pm 0.35
MDP	2,6 N \pm 25%	\geq 25%	200,000	0.4 mm \pm 0.25

Electrical

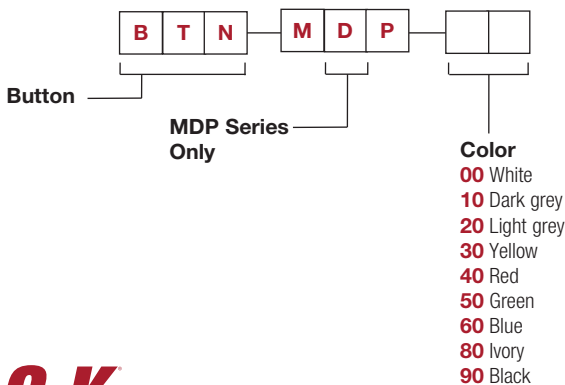
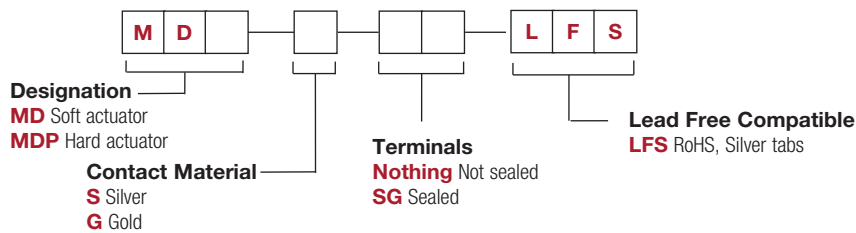
	Silver	Gold
MAXIMUM POWER:	1.0 VA	0.2 VA
MAXIMUM VOLTAGE:	100 VDC	100 VDC
MINIMUM VOLTAGE:	20m VDC	20m VDC
MIN/MAX CURRENT:	1.0 mA - 100 mA	50 μ A - 50 mA
DIELECTRIC STRENGTH:	\geq 250 Vrms	
CONTACT RESISTANCE:	\leq 100 m Ω	
INSULATION RESISTANCE: (between terminals)	Initial measurement: \geq 1 G Ω After damp heat: \geq 10 M Ω	
BOUNCE TIME:	\leq 3 ms	

Environmental

	Silver	Gold
OPERATING TEMPERATURE:	-25°C to 70°C	-55°C to 85°C

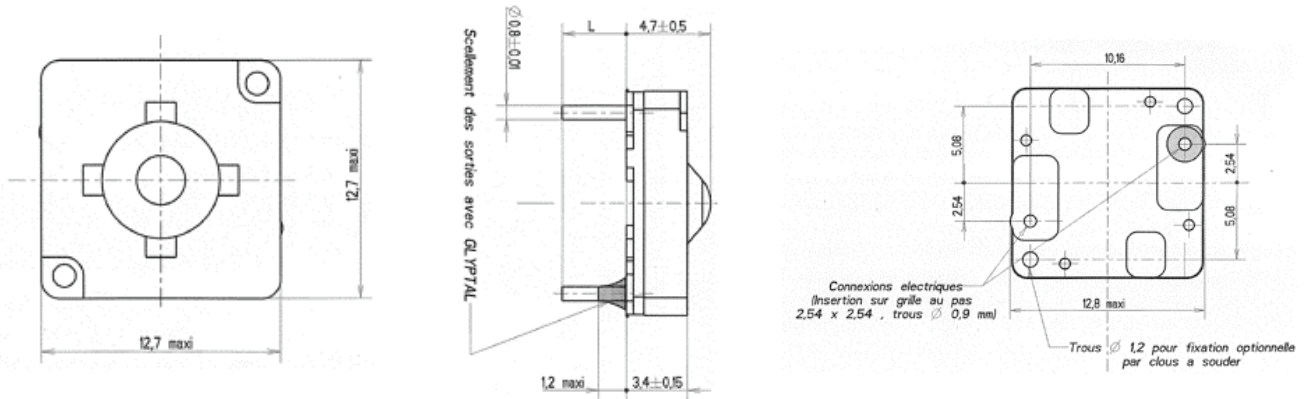
How To Order

Our easy build-a-switch concept allows you to mix and match options to create the switch you need. To order, select desired option from each category and place it in the appropriate box.

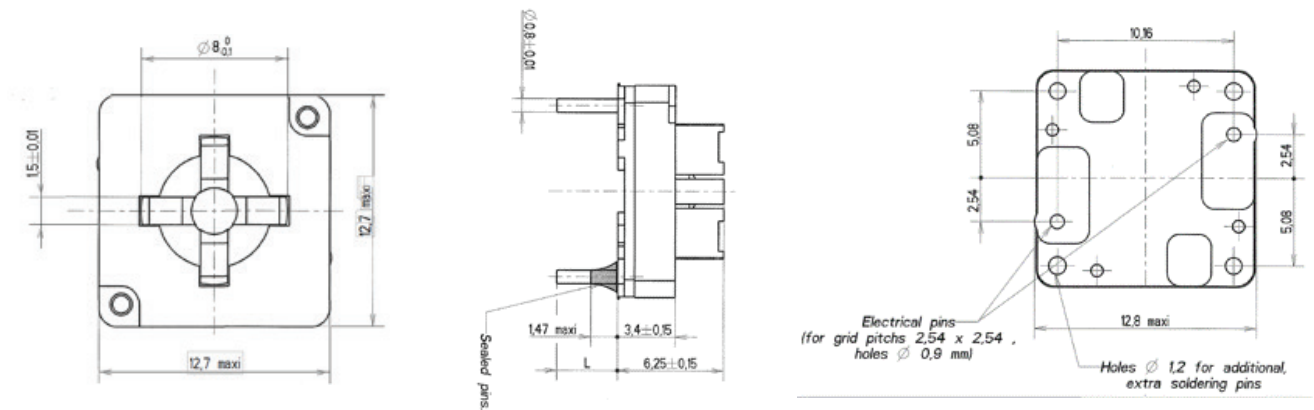


Dimensions are shown: mm
Specifications and dimensions subject to change

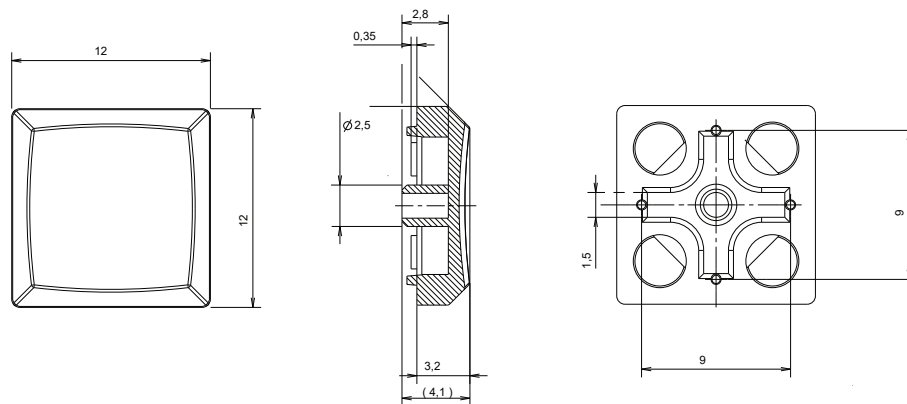
MD



MDP



MDP button



Dimensions are shown: mm
Specifications and dimensions subject to change