

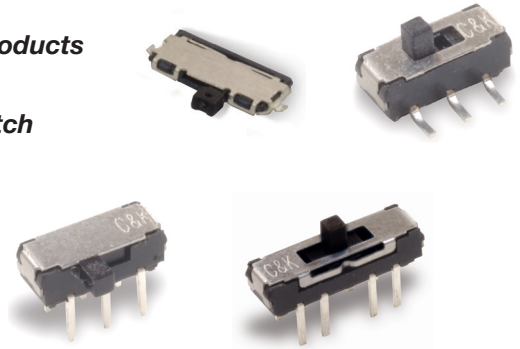
# JS Series Sub-Miniature Slide Switches

## Features/Benefits

- Positive detent
- Low profile
- IR reflow to 260° solder profile
- Surface and thru hole mounting
- SPDT, DPDT, DP3T models
- RoHS compliant

## Typical Applications

- Telecommunication products
- Computer peripherals
- Thermostat select switch
- Instrumentation
- Medical



## Specifications

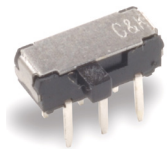
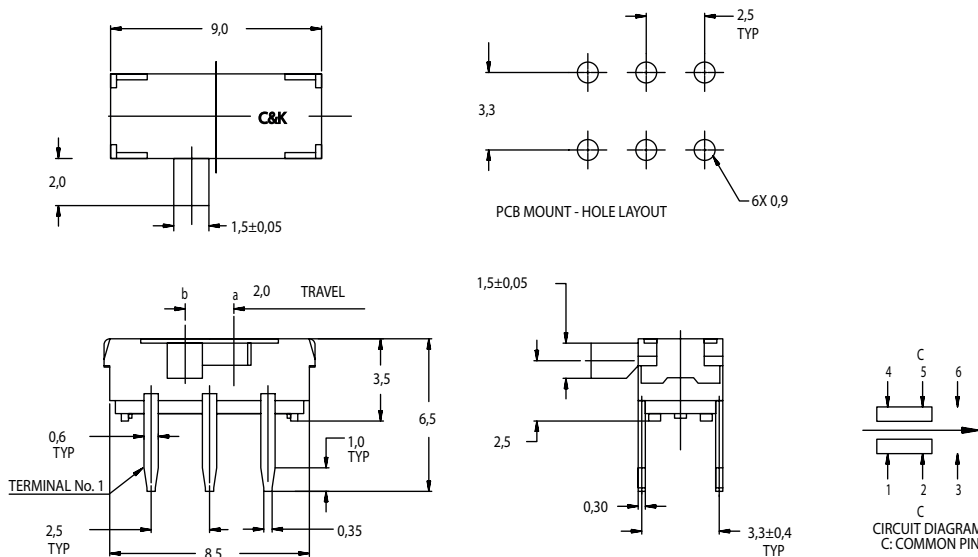
CONTACT RATING: 6 VDC @ 0.3A  
 ELECTRICAL LIFE: 5,000 make-and-break cycles  
 CONTACT RESISTANCE: 70 m Ω max.  
 INSULATION RESISTANCE: 100 M Ω min. @ 500V.  
 DIELECTRIC STRENGTH: 500 VAC min. @ sea level.  
 OPERATING TEMPERATURE: -40°C to +85°C  
 STORAGE TEMPERATURE: -40°C to +85°C

**NOTE:** Specifications and materials listed above are for switches with standard options.  
 For information on specific and custom switches, consult Customer Service Center.

## Materials

HOUSING: 4/6 nylon (UL94V-2), black.  
 ACTUATOR: 4/6 nylon (UL94V-2), black (some options white).  
 CONTACTS: Copper alloy, silver plated.  
 TERMINALS: Brass, silver plated

## RIGHT ANGLE, PC THRU-HOLE



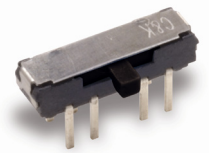
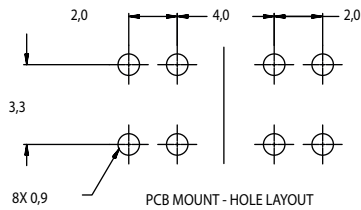
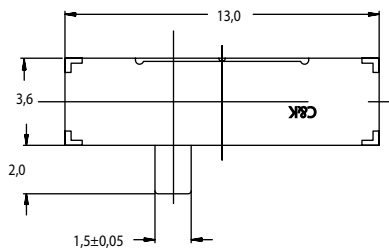
Part Number  
 JS202011AQN  
**DPDT**

Shown in position b

Shown in position b

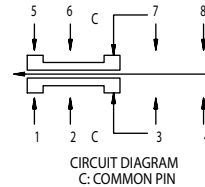
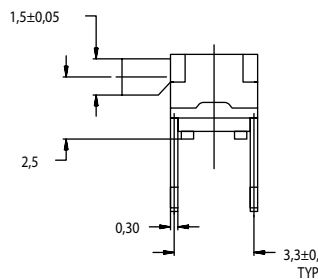
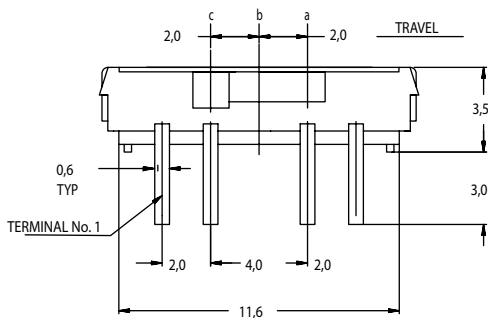
# JS Series Sub-Miniature Slide Switches

## RIGHT ANGLE, PC THRU-HOLE



Part Number  
JS203011AQN  
**DP3T**

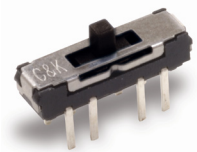
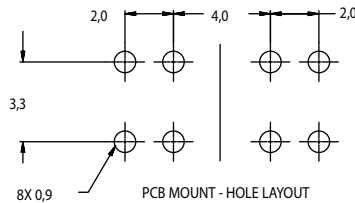
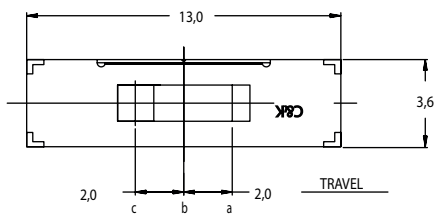
Shown in position b



CIRCUIT DIAGRAM  
C: COMMON PIN

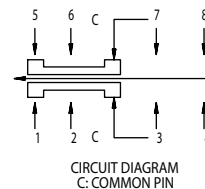
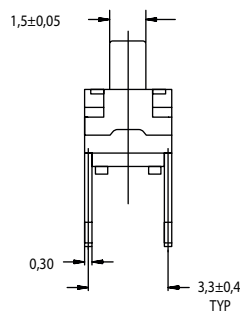
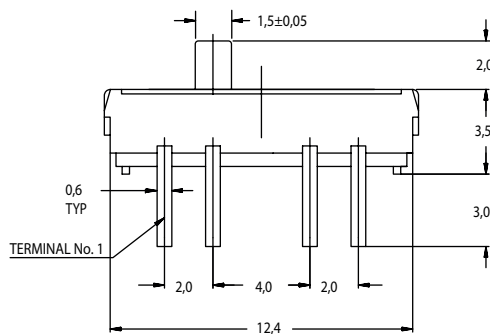
Shown in position c

## PC THRU-HOLE



Part Number  
JS203011CQN  
**DP3T**

Shown in position b



CIRCUIT DIAGRAM  
C: COMMON PIN

Shown in position c

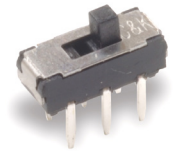
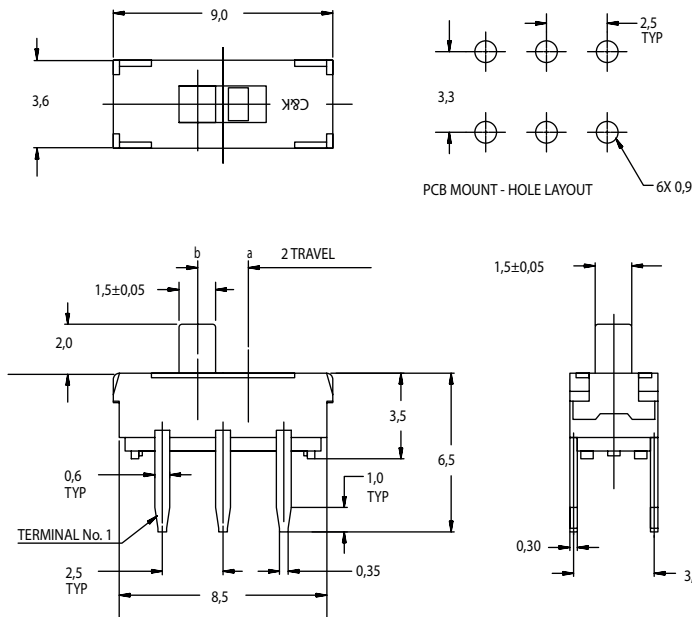


Dimensions are shown: mm  
Specifications and dimensions subject to change

Slide

# JS Series Sub-Miniature Slide Switches

## PC THRU-HOLE



Part Number  
JS202011CQN  
DPDT

Shown in position a

Shown in position b

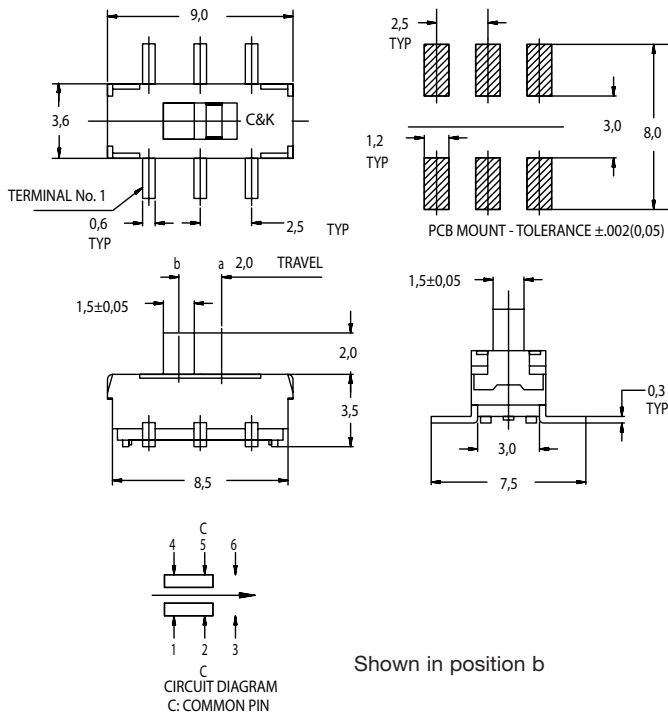


Slide

## SURFACE MOUNT

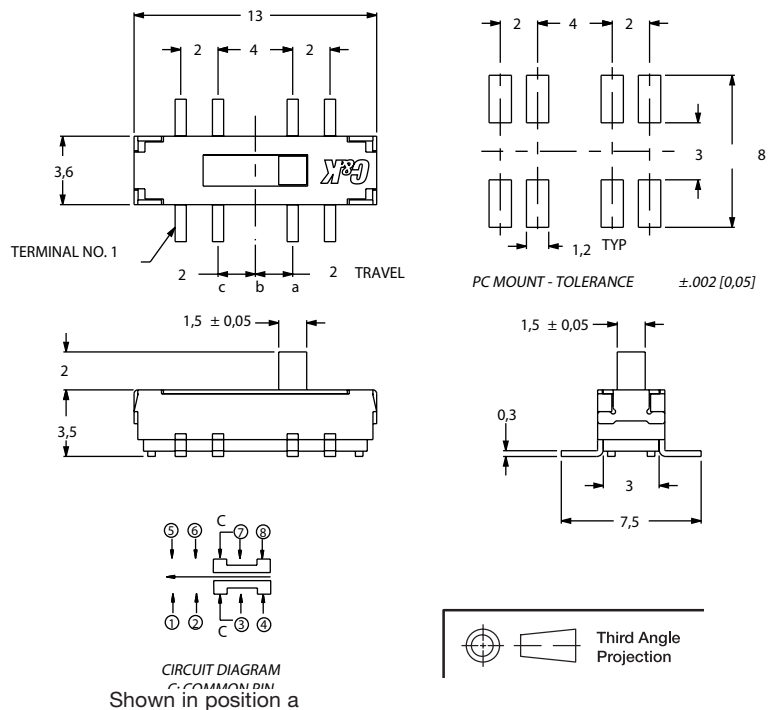
Part number  
JS202011SCQN  
DPDT

Shown in position b. Quantity per reel 1000  
Available in tape & reel only, see page I-58



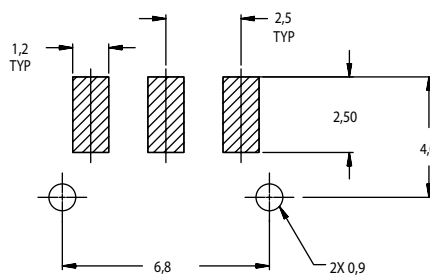
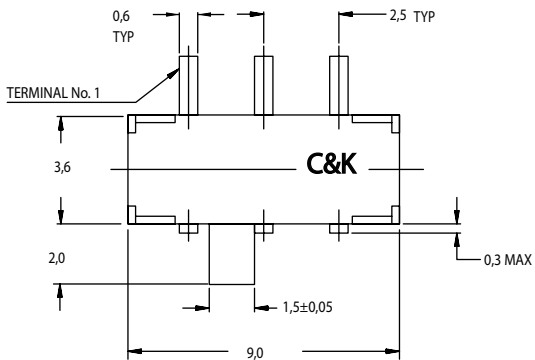
Part number  
JS203011SCQN  
DP3T

Quantity per reel 900  
Available in tape & reel only, see page I-60



# JS Series Sub-Miniature Slide Switches

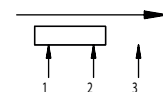
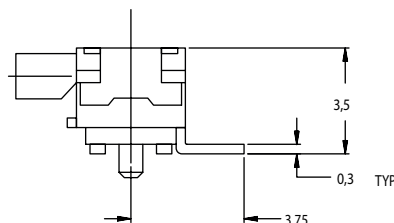
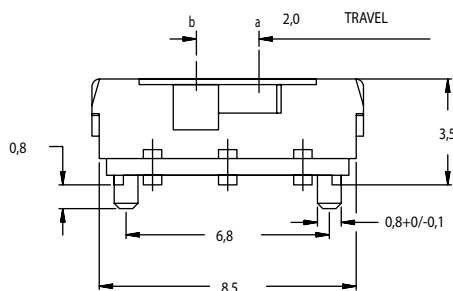
## RIGHT ANGLE SURFACE MOUNT



Part Number  
JS102011SAQN  
**SPDT**

Shown in position a

Available in tape & reel only, see page I-59

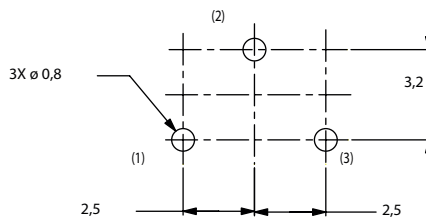
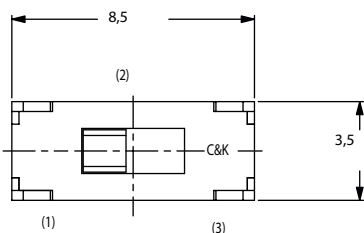


CIRCUIT DIAGRAM  
C: COMMON PIN

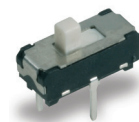
Shown in position b

Slide

## PC THRU-HOLE

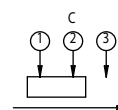
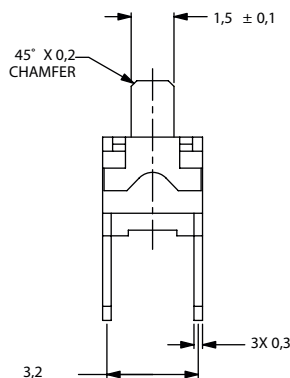
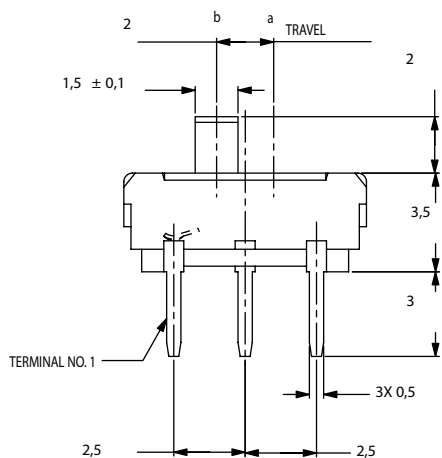


PCB LAYOUT RECOMMENDED



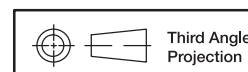
Part Number  
JS102011CQN  
**SPDT**

Shown in position a



SCHMATIC

Shown in position b

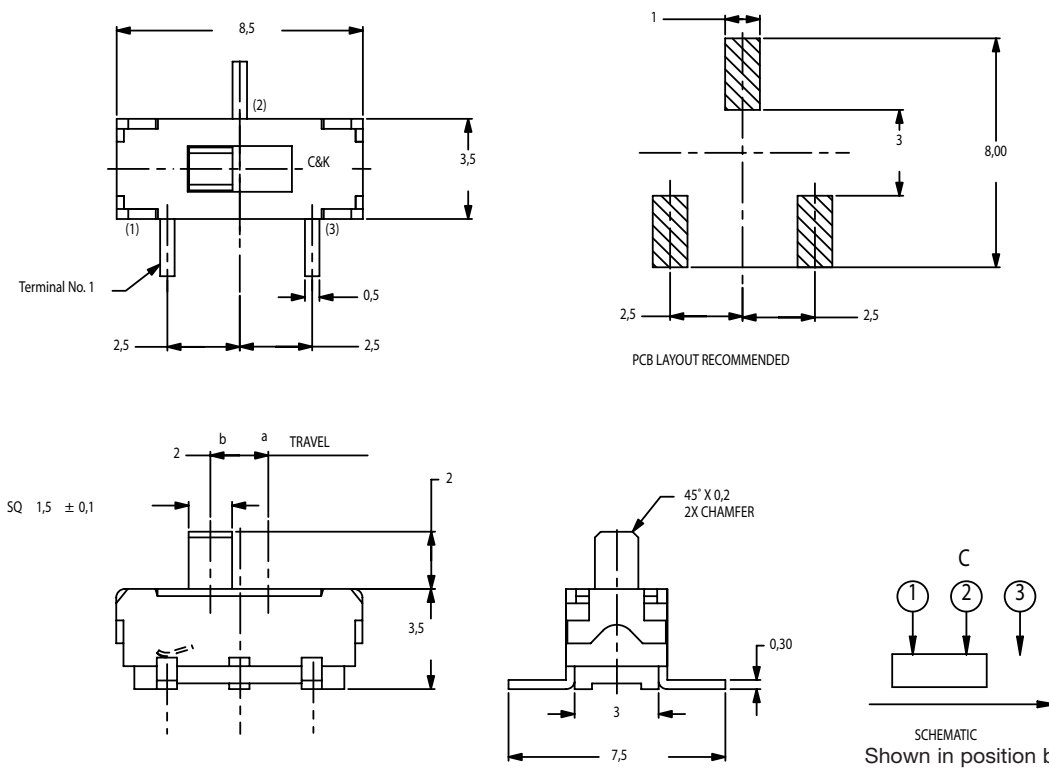


Third Angle  
Projection

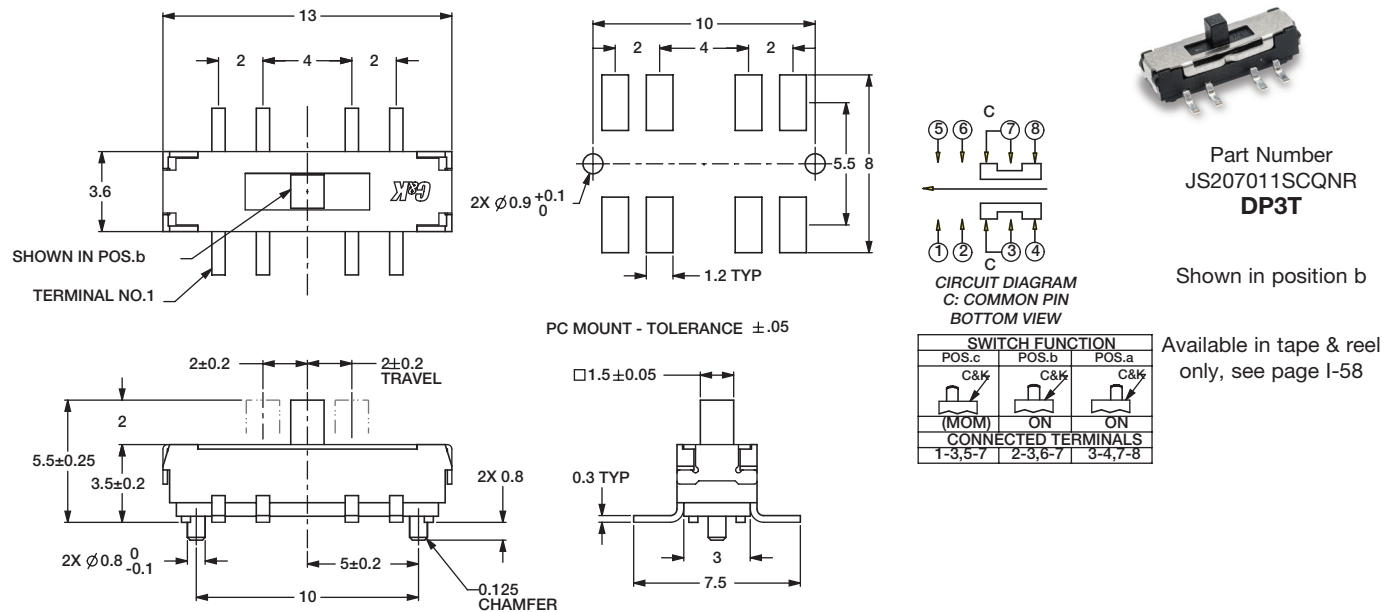
Dimensions are shown: mm  
Specifications and dimensions subject to change

# JS Series Sub-Miniature Slide Switches

## SURFACE MOUNT

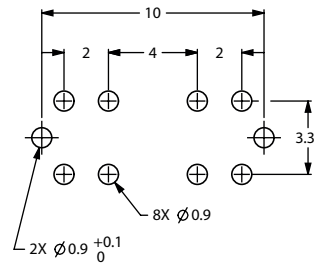
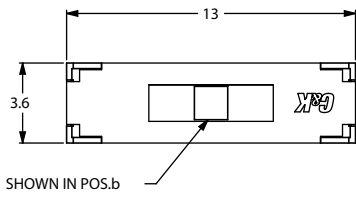


## SURFACE MOUNT

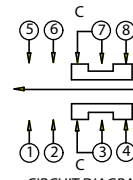


# JS Series Sub-Miniature Slide Switches

## PC THRU-HOLE



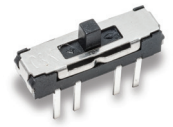
PC MOUNT - TOLERANCE  $\pm 0.05$



CIRCUIT DIAGRAM  
C: COMMON PIN  
BOTTOM VIEW

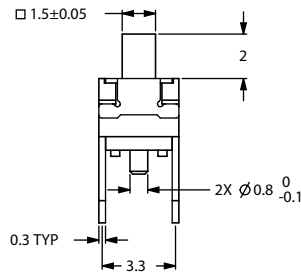
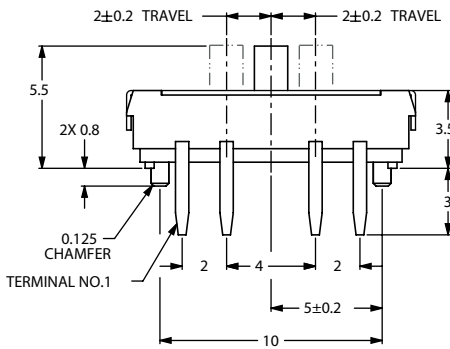
SWITCH FUNCTION		
POS.c	POS.b	POS.a
(MOM)	ON	ON
CONNECTED TERMINALS		
1-3,5-7	2-3,6-7	3-4,7-8

**NEW**

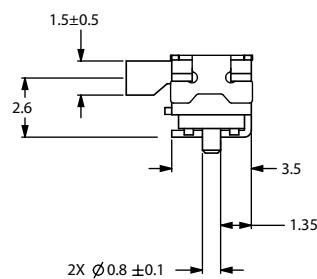
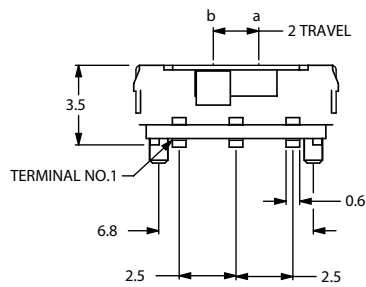
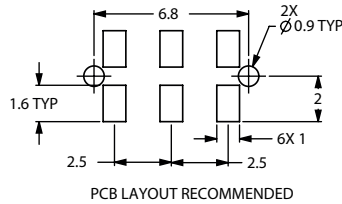
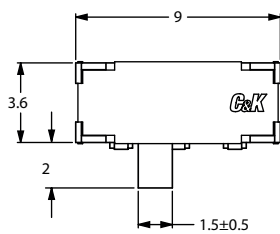


Part Number  
JS207011CQNR  
**DP3T**

Shown in position b



## RIGHT ANGLE SURFACE MOUNT



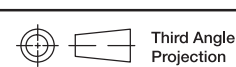
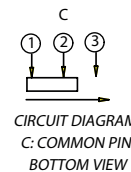
**NEW**



Part Number  
JS102011JAQN  
**SPDT**

Shown in position

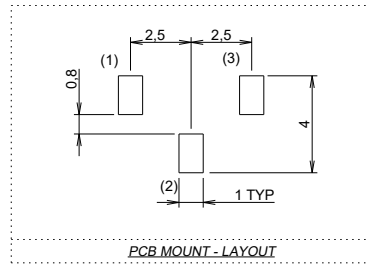
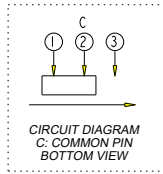
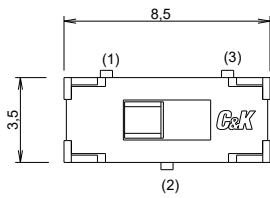
Available in tape & reel  
only, see page I-59



Dimensions are shown: mm  
Specifications and dimensions subject to change

# JS Series Sub-Miniature Slide Switches

## VERTICAL MOUNT SMT - J BEND

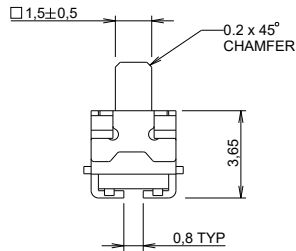
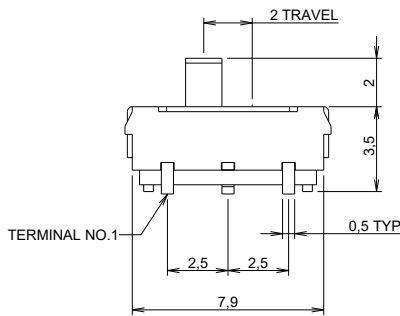


**NEW**  
Part Number  
JS102011JCQN  
**SPDT**

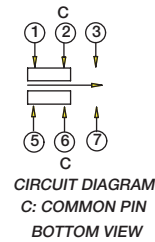
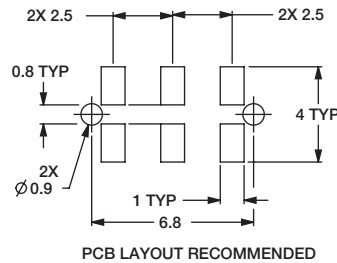
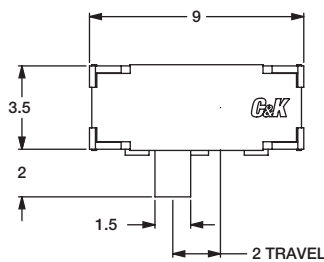
Available in tape & reel  
only, see page I-59



Slide



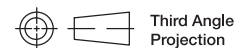
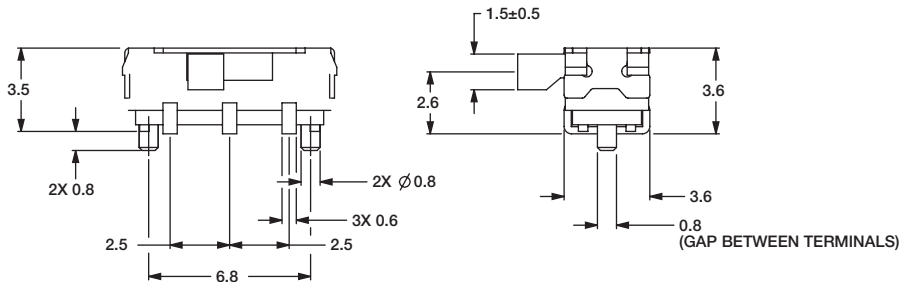
## RIGHT ANGLE SURFACE MOUNT



**NEW**  
Part Number  
JS202011JAQN  
**DPDT**

Shown in position

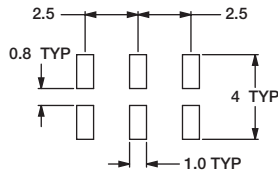
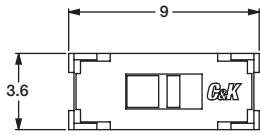
Available in tape & reel  
only, see page I-61



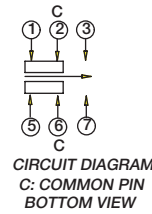
Dimensions are shown: mm  
Specifications and dimensions subject to change

# JS Series Sub-Miniature Slide Switches

## VERTICAL MOUNT SMT - J BEND



PCB LAYOUT RECOMMENDED

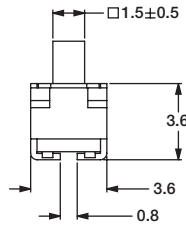
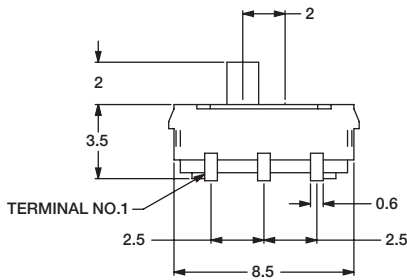


Part Number  
JS202011JCQN

**DPDT**

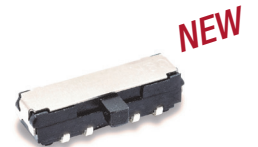
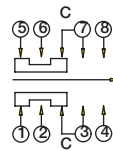
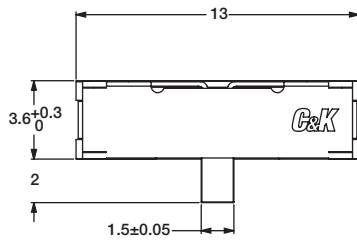
Shown in position

Available in tape & reel  
only, see page I-61



Slide

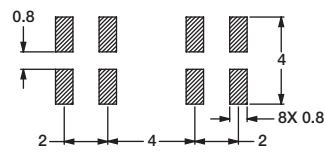
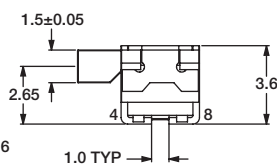
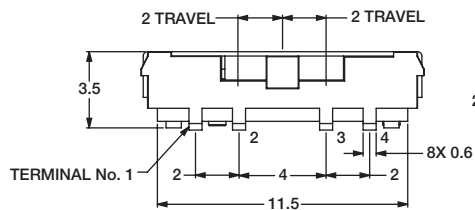
## RIGHT ANGLE MOUNT SMT - J BEND



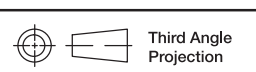
Part Number  
JS203011JAQN  
**DP3T**

Shown in position

Available in tape & reel  
only, see page I-60



PCB LAYOUT RECOMMENDED



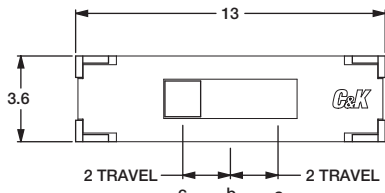
Dimensions are shown: mm  
Specifications and dimensions subject to change



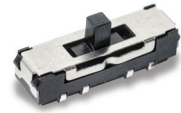
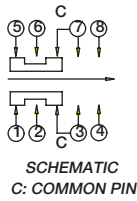
# JS Series Sub-Miniature Slide Switches

**NEW**

## VERTICAL MOUNT SMT - J BEND

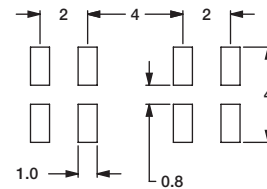
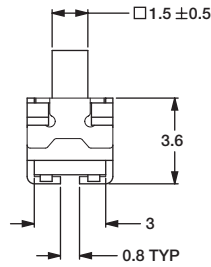
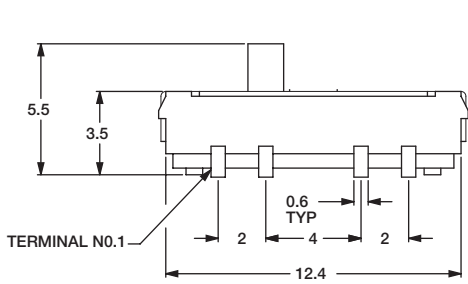


Shown in position c



Part Number  
JS203011JCQN  
**DP3T**

Shown in position b  
Available in tape & reel  
only, see page I-60



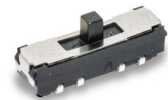
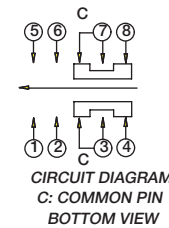
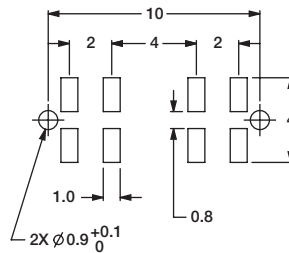
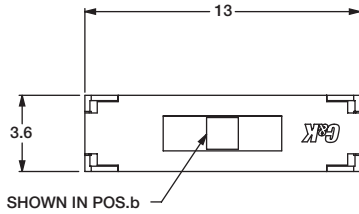
PCB LAYOUT RECOMMENDED



Slide

## SURFACE MOUNT - J BEND

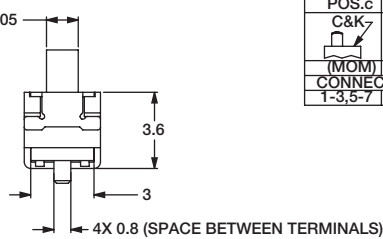
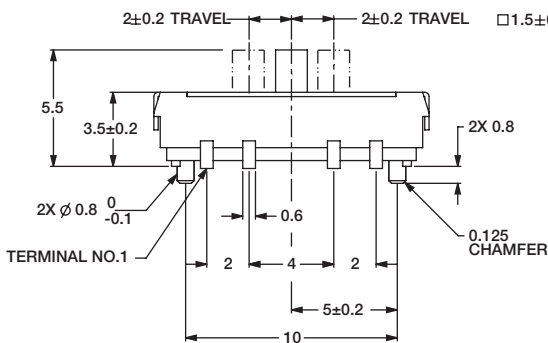
**NEW**



Part Number  
JS207011JCQNR  
**DP3T**

Available in tape & reel  
only, see page I-58

PC MOUNT - TOLERANCE ± .05



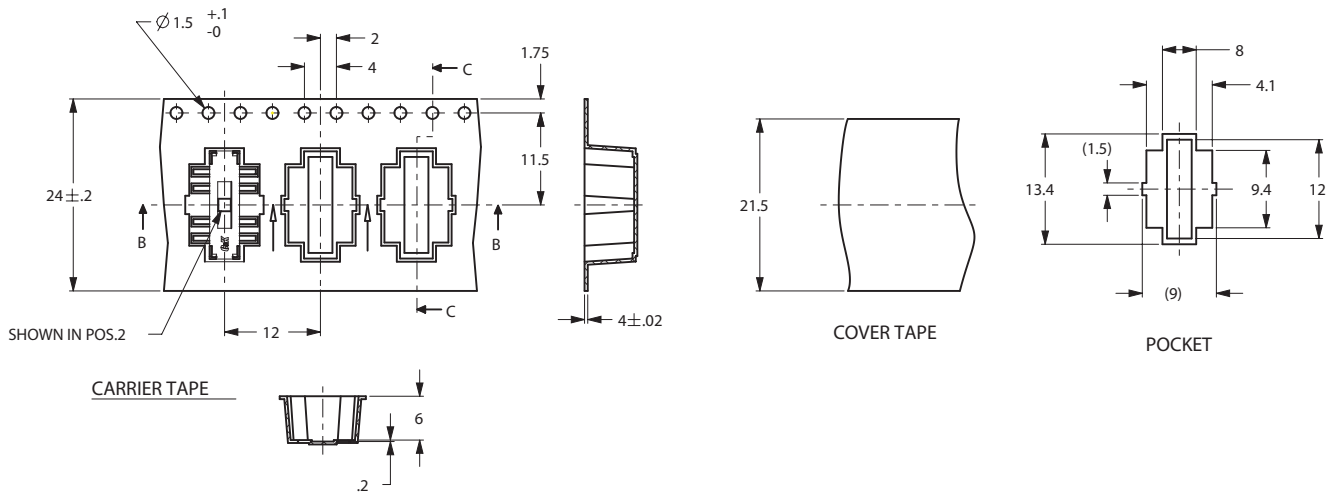
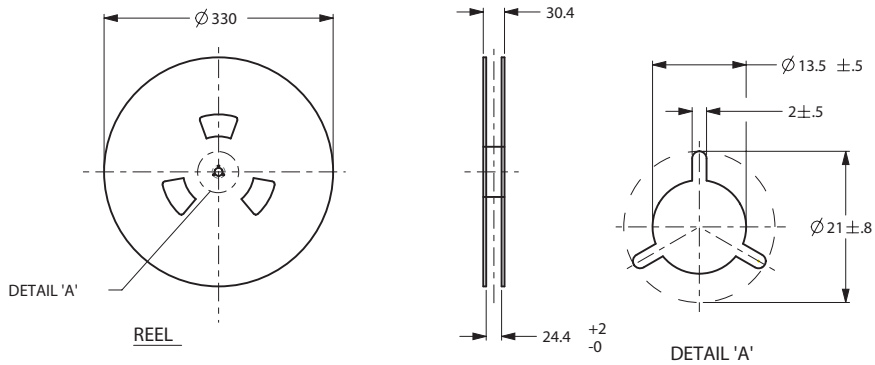
SWITCH FUNCTION		
POS.c	POS.b	POS.a
C&K- (MOM)	C&K- ON	C&K- ON
CONNECTED TERMINALS		
1-3,5-7	2-3,6-7	3-4,7-8

# JS Series Sub-Miniature Slide Switches

TAPE AND REEL FOR PART NUMBER JS207011SCQNR, JS207011JCQNR

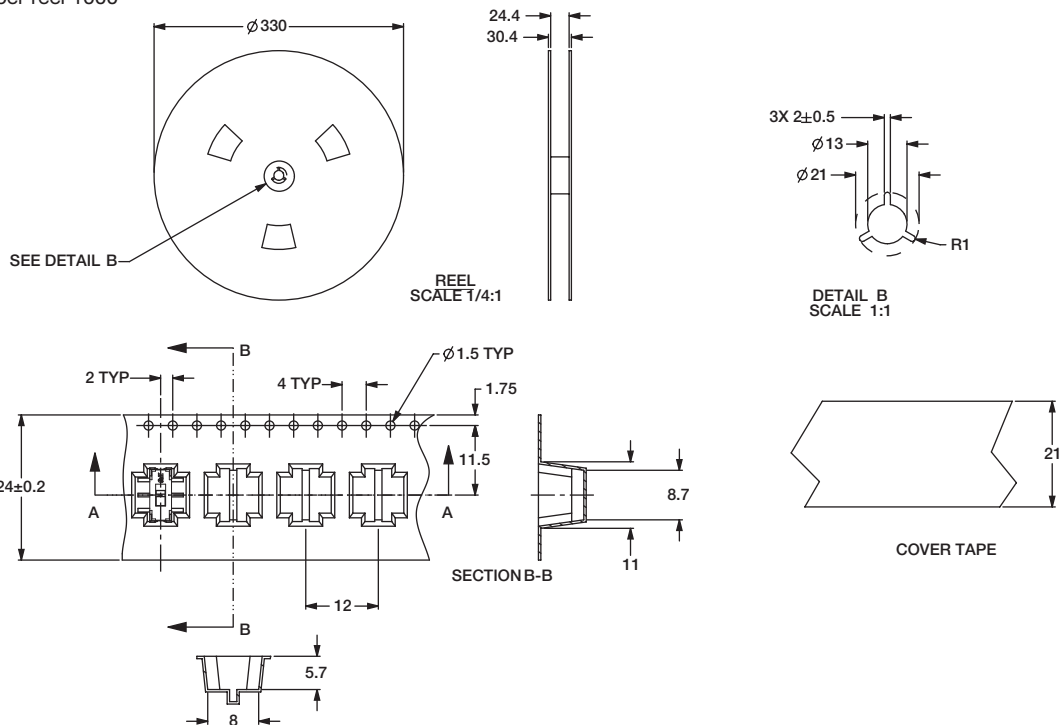
Quantity per reel 800

PACKING DETAIL 800 PCS



TAPE AND REEL FOR PART NUMBER JS202011SCQN

Quantity per reel 1000

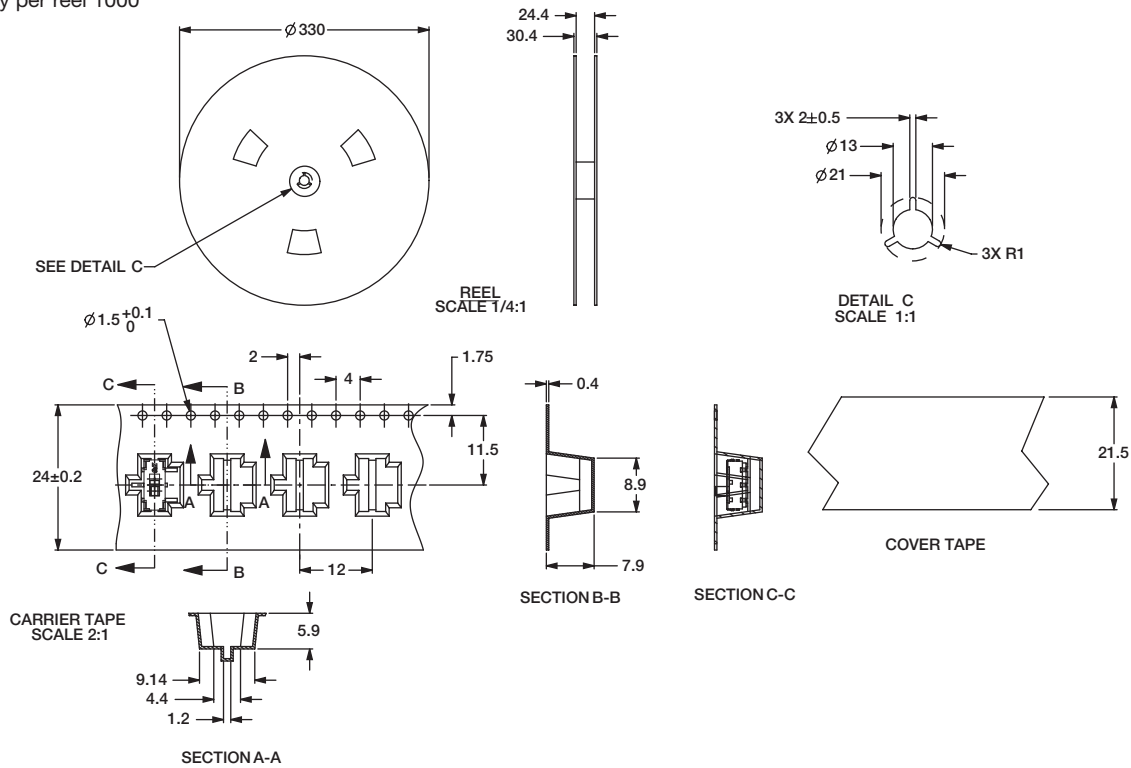


Slide

# JS Series Sub-Miniature Slide Switches

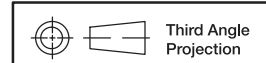
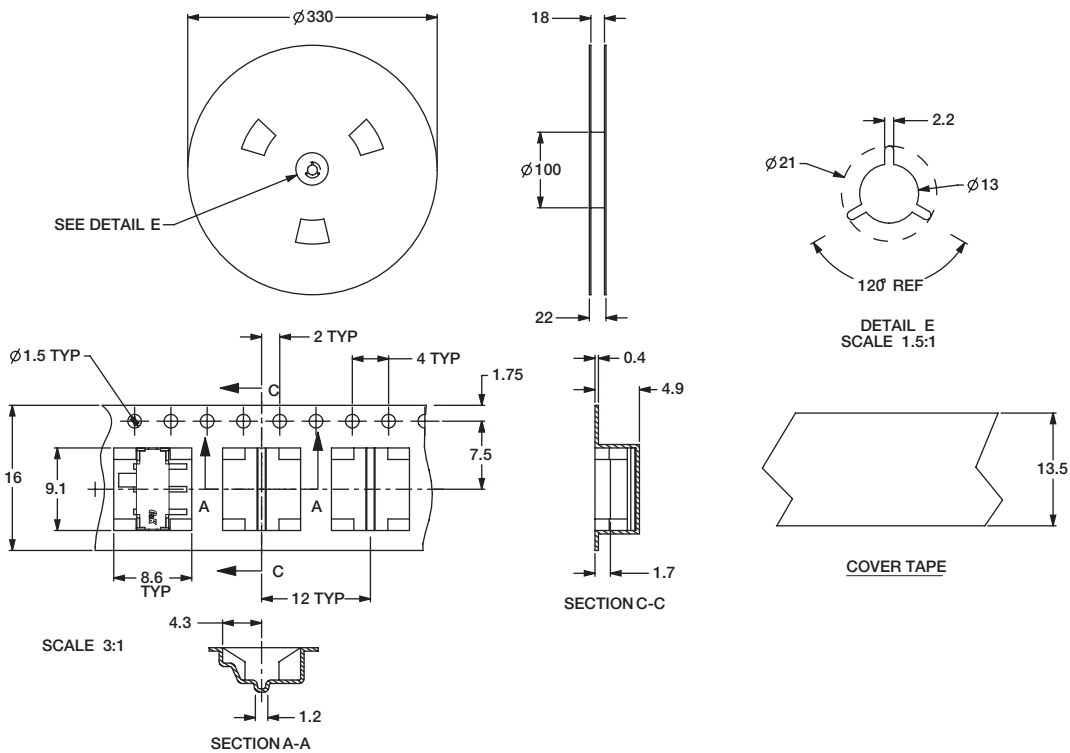
## TAPE AND REEL FOR PART NUMBER JS102011SCQN, JS102011JCQN

Quantity per reel 1000



## TAPE AND REEL FOR PART NUMBER JS102011SAQN, JS102011JAQN

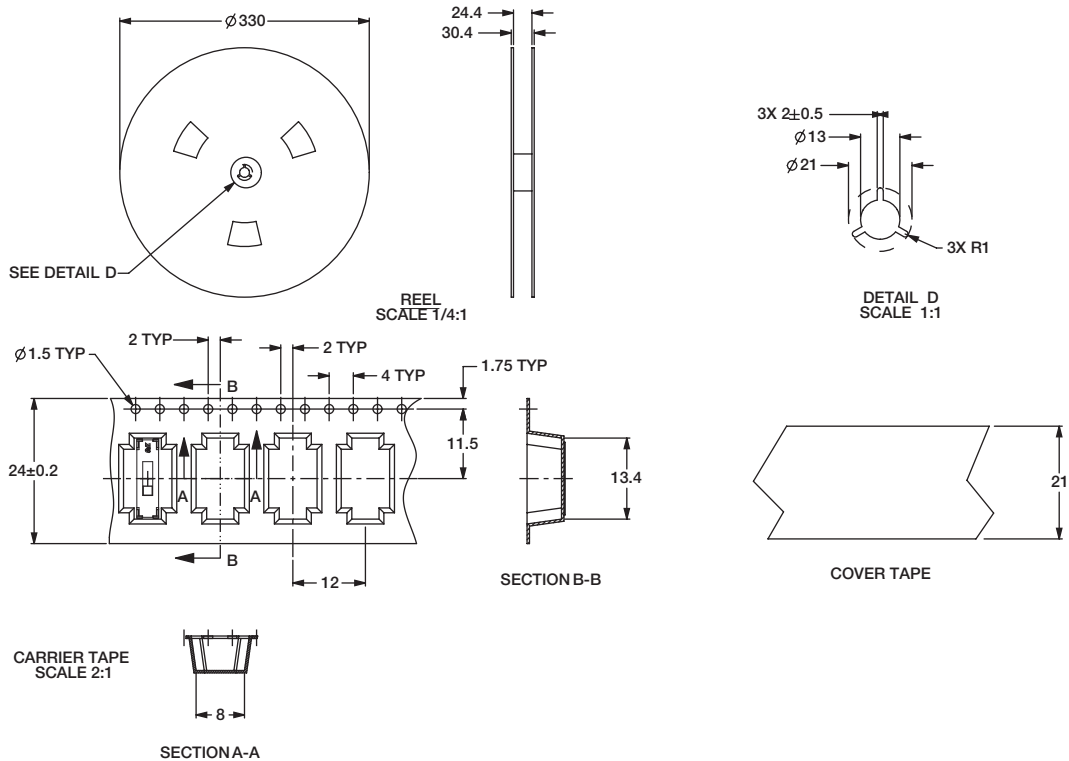
Quantity per reel 1000



Dimensions are shown: mm  
Specifications and dimensions subject to change

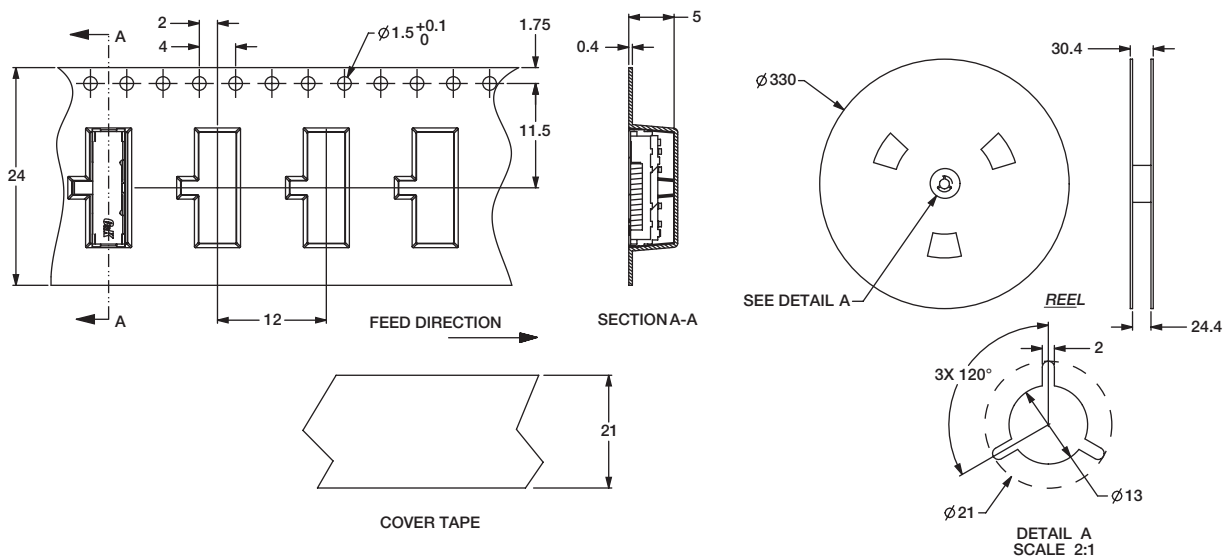
# JS Series Sub-Miniature Slide Switches

**TAPE AND REEL FOR PART NUMBER JS203011SCQN, JS203011JCQN**  
Quantity per reel 900



**TAPE AND REEL FOR PART NUMBER JS203011JAQN**

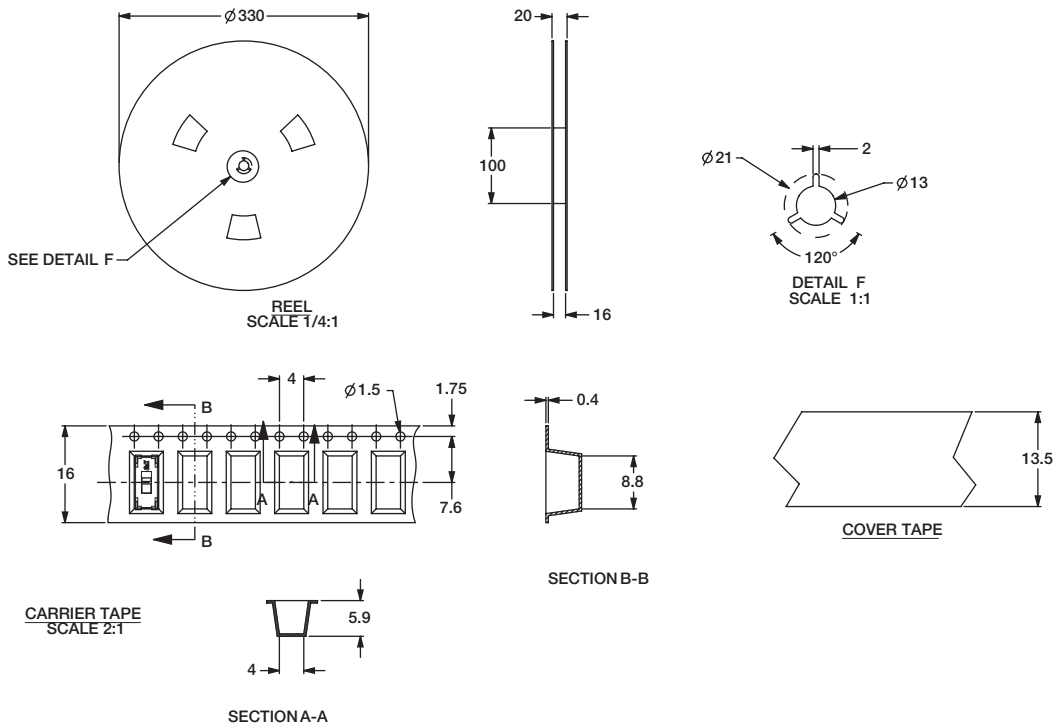
Quantity per reel 1000



# JS Series Sub-Miniature Slide Switches

## TAPE AND REEL FOR PART NUMBER JS202011JCQN

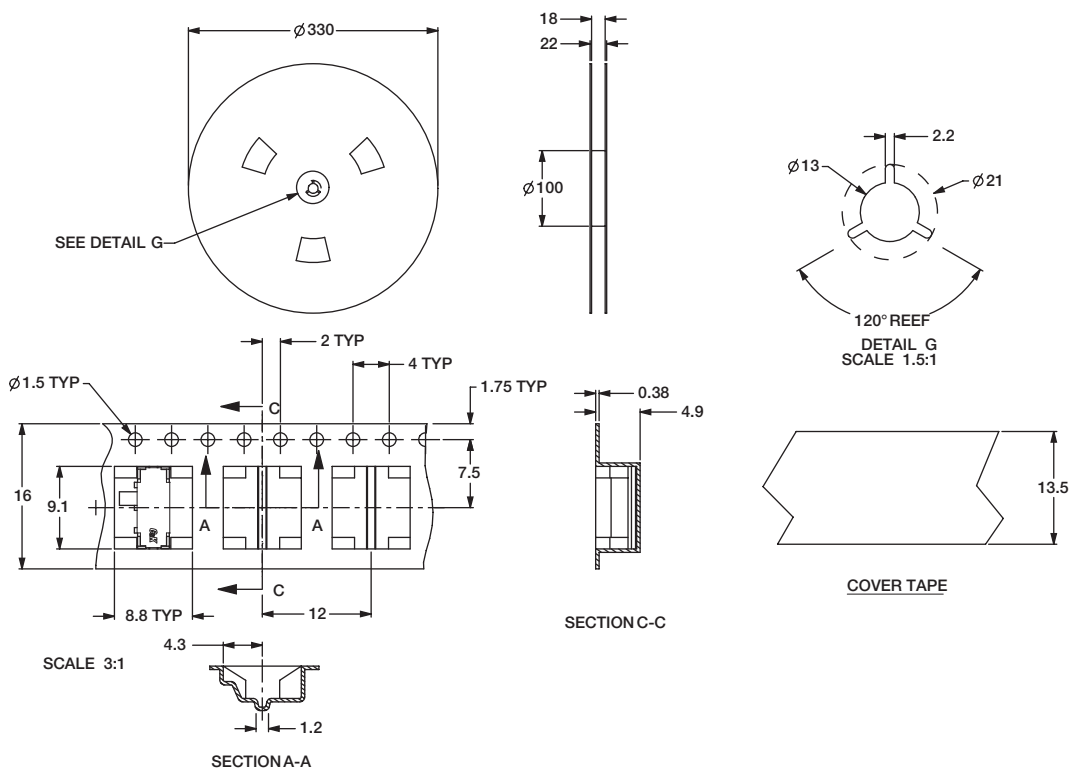
Quantity per reel 1300



Slide

## TAPE AND REEL FOR PART NUMBER JS202011JAQN

Quantity per reel 1000



# JS Series Sub-Miniature Slide Switches

## RIGHT ANGLE SURFACE MOUNT

LOW PROFILE .028±.004 (0.7±0.1) HIGH



Part Number  
JS102000SAQN  
SPDT

## Specifications

CONTACT RATING: 5 VDC @ 1mA

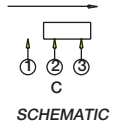
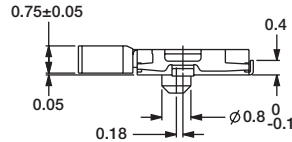
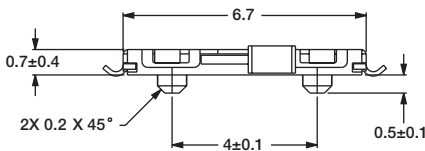
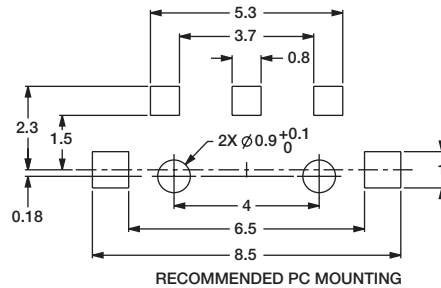
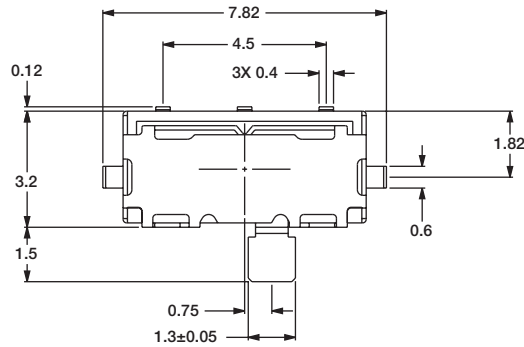
ELECTRICAL LIFE: 15,000 cycles.

CONTACT RESISTANCE: <100 m ohms (initial) <200 m ohms (after processing).

INSULATION RESISTANCE: 100 m ohms @500 VDC.

DIELECTRIC STRENGTH: 250 VAC.

OPERATING TEMPERATURE: -40°C to +85°C



## TAPE AND REEL FOR PART NUMBER JS102000SAQN

Quantity per reel 4000

