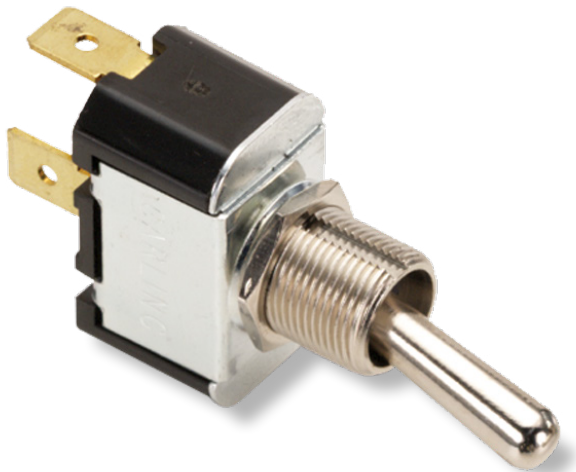
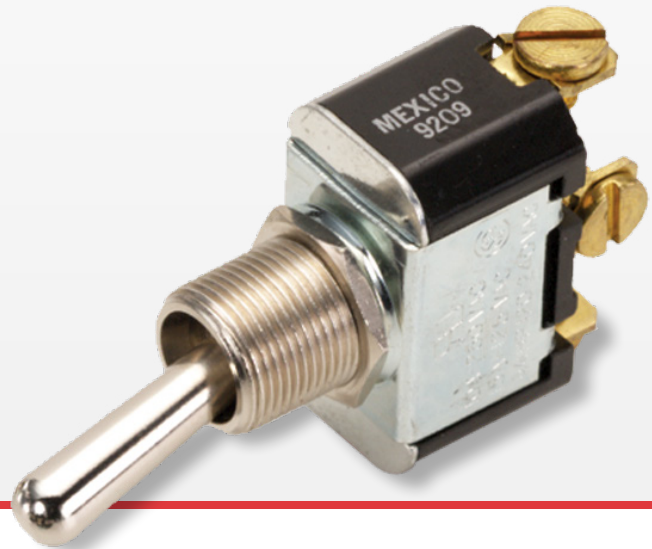


# F-Series

Single Pole Toggle Switches

**PRODUCT WEBPAGE**

*request sample, configure part*



General purpose workhorses with options tailored to meet most any need. Ratings to 20A 277VAC, various actuator, bushing, termination, and circuit choices allow this versatile switch to easily integrate into a variety of different applications. The F-Series is appropriate for usage in low voltage DC applications.

|          |             |                 |              |
|----------|-------------|-----------------|--------------|
| <b>1</b> | <b>3-20</b> | <b>125, 250</b> | <b>12-24</b> |
| Pole     | Amps        | VAC             | VDC          |

## Typical Applications

- Marine
- Food Service
- Generator
- Industrial Control
- Office Automation

# Tech Specs

## Dielectric Strength

1000V - live to dead metal parts

## Electrical Life

50,000 cycles - maintained  
25,000 cycles - momentary

## Operating Temperature

0°F to 150°F (-17.8°C to +65.6°C)

# Ordering Scheme

Sample Part Number 2FA54 - 73 / TABS

Selection 1 2 3

### 1. SERIES

10A 250VAC; 15A 125VAC; 3/4 HP 125-250VAC

|               | Solder Lug | .250 Tab QC    | Screw Terminals |
|---------------|------------|----------------|-----------------|
| On-None-Off   | 2FA53      | 2FA53-.../TABS | 2FA54           |
| (On)-None-Off | 6FA53      | 6FA53-.../TABS | 6FA54           |
| On-None-(Off) | 6FA57      | 6FA57-.../TABS | 6FA58           |
| On-None-On    | 2FB53      | 2FB53-.../TABS | 2FB54           |
| On-None-(On)  | 6FB53      | 6FB53-.../TABS | 6FB54           |
| On-Off-On     | 2FC53      | 2FC53-.../TABS | 2FC54           |
| On-Off-(On)   | 6FC57      | 6FC57-.../TABS | 6FC58           |
| (On)-Off-(On) | 6FC53      | 6FC53-.../TABS | 6FC54           |

Additional ratings up to 20A 125VAC, 12A 250VAC, 1HP 120-240 VAC available. Consult factory for specifics.

### 3. TAB TERMINALS

/TABS Tab Terminals  
(blank) Leave blank if tab terminals not required.

Notes:

- 1 Consult factory for .187 tab, wire lead and combination screw/tab/solder lug termination callouts.
- 2 Additional toggle options are available. Consult factory.
- 3 ( ) indicates momentary function.

[Configure Complete Part Number >](#)

[Browse Standard Parts >](#)

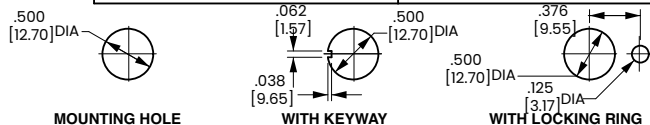
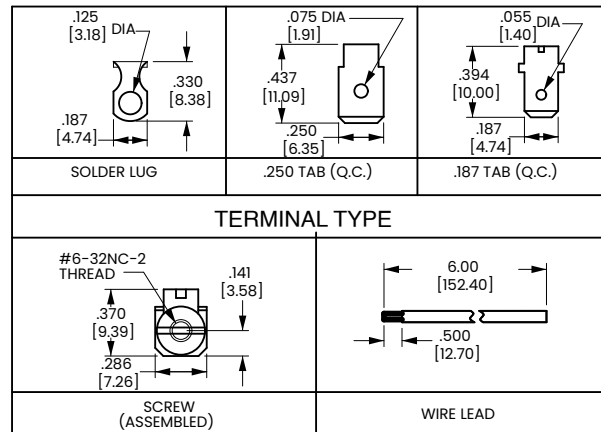
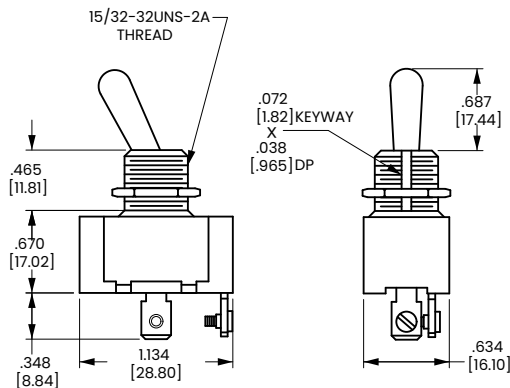
### 2. ACTUATOR STYLE

BAT STYLE TOGGLE 2

| unsealed | sealed | toggle length | bushing length |
|----------|--------|---------------|----------------|
| 73       | 78     | 0.687         | 0.465          |
| E3       | E8     | 2.000         | 0.465          |

# Dimensional Specs

inches [millimeters]



## Authorized Sales Representatives and Distributors

Click on a region of the map below to find your local representatives and distributors or visit [www.carlingtech.com/findarep](http://www.carlingtech.com/findarep).



## About Carling

Founded in 1920, Carling Technologies is a leading manufacturer of electrical and electronic switches and assemblies, circuit breakers, electronic controls, power distribution units, and multiplexed power distribution systems. With six ISO9001 and IATF16949 registered manufacturing facilities and technical sales offices worldwide, Carling Technologies Sales, Service and Engineering teams do much more than manufacture electrical components, they engineer powerful solutions! To learn more about Carling please visit [www.carlingtech.com/company-profile](http://www.carlingtech.com/company-profile).

To view all of Carling's environmental, quality, health & safety certifications please visit [www.carlingtech.com/environmental-certifications](http://www.carlingtech.com/environmental-certifications).

© Carling Technologies, Inc.

3. Carling is a registered trademark of Carling Technologies, Inc. in the U.S. and other countries.