

# 10112690 - X XX-YY Z LF

INDICATES THAT PRODUCT IS RoHS COMPATIBLE SEE NOTE 3

**PACKAGING :**

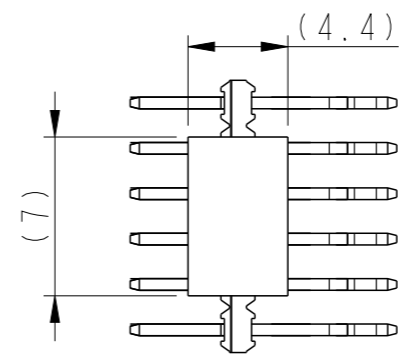
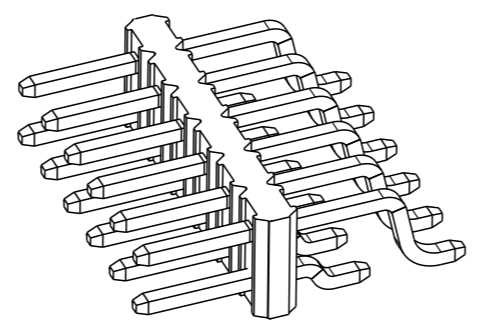
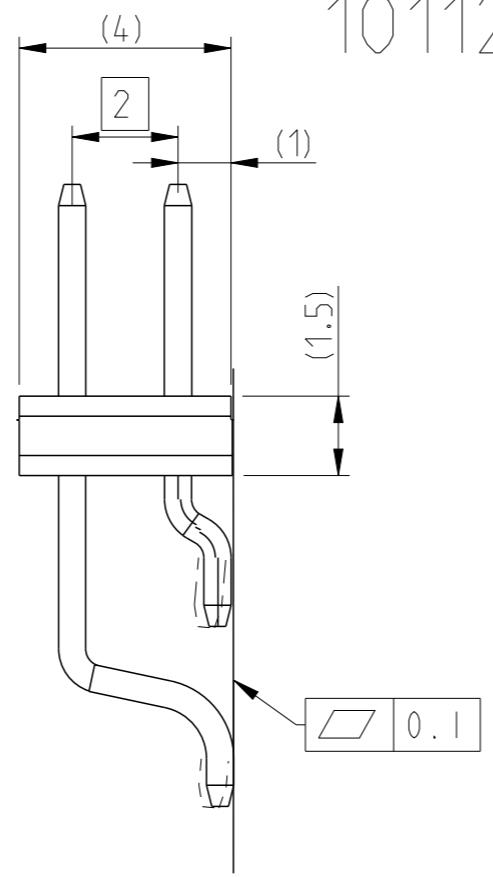
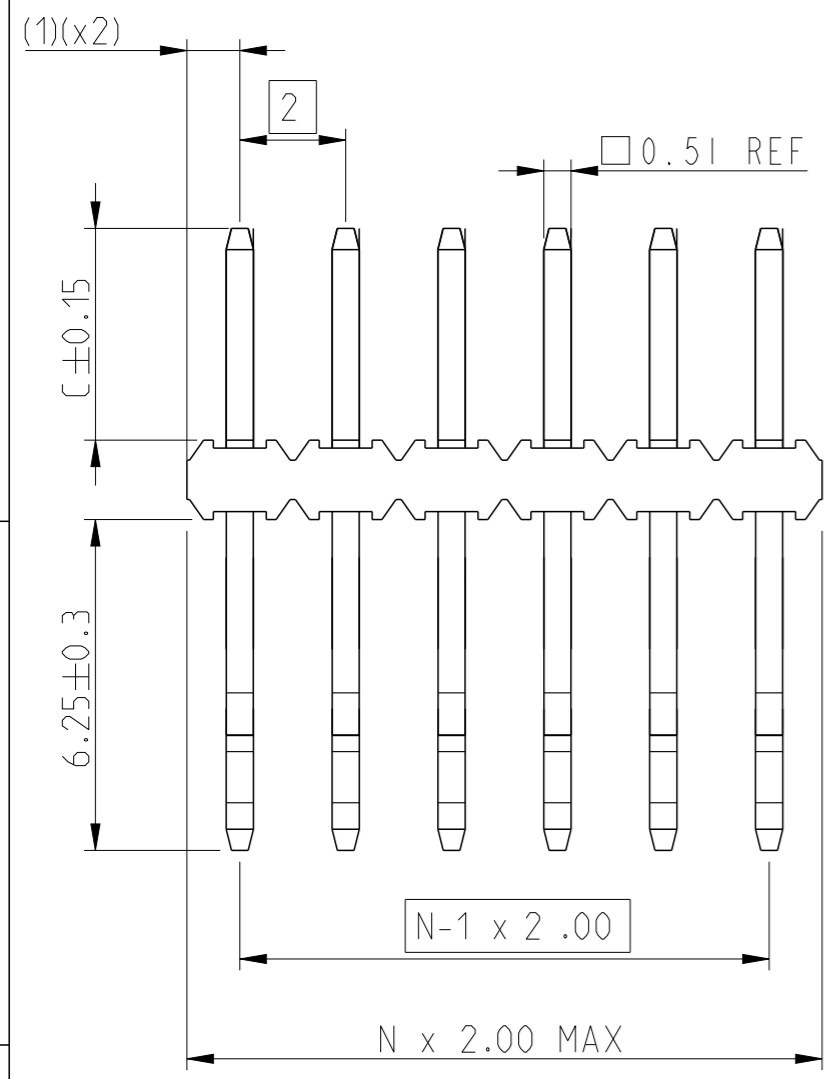
A = Tape and reel with Pick-up cap  
See GS-14-1516 As available  
U = Tube without Pick-up cap. Only for rows contacts qty from 4 to 25  
See GS-14-1551

Blank = Bli box for rows contacts qty 2 and 3 see note 5

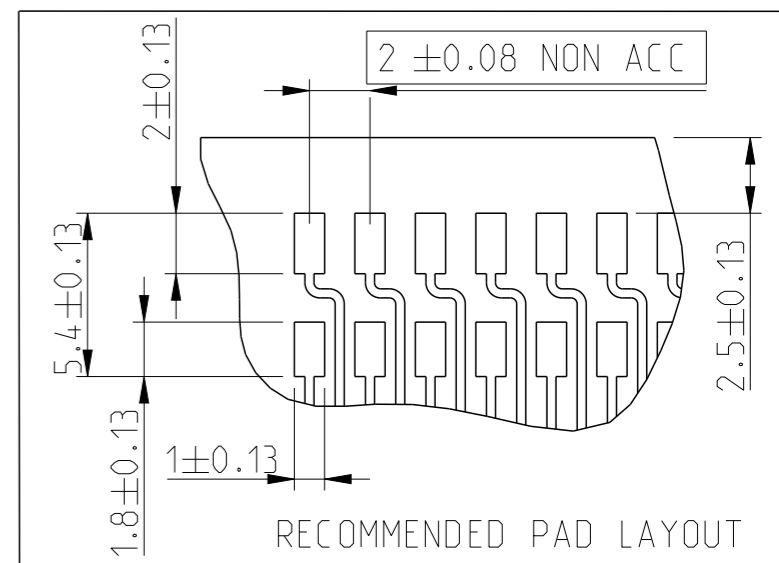
NBR CONTACTS PER ROW : 02 TO 25 = N

STYLE	01	02	03	04	05
DIM C POST LENGTH	3.2	2.0	4.0	7.0	5.84

**PLATING :** G= 0.76µ Gold/GXT on mating area  
2-6µ Pure Tin on solder area  
F= Gold flash on mating area  
2-6µ pure Tin on solder area  
T= 2-6µ pure Tin on mating area  
2-6µ pure Tin on solder area  
All with 1.27 Ni underplating



SCALE 3:1  
VIEW WITH PICK-UP CAP



**NOTES :**  
1- MATERIALS :  
BODY : High Temp thermoplastic 30% GF, COLOR BLACK UL94 V-0  
PIN : COPPER ALLOY

2- 7N MIN PIN RETENTION IN EITHER DIRECTION

3- RoHS COMPATIBLE PRODUCT SPECIFICATION :  
a- PLATING : LF means the product is Lead Free, 2µ MIN matte Tin over 1.27µ Nickel underplating.  
b- MANUFACTURING PRODUCT SPECIFICATION :  
Housing will withstand exposure to 260°C peak temperature for 30 secondes in a convection infra-red or vapor phase oven.

c- LABELLING :  
Meets packaging specs as per GS-14-920  
d- LEGAL STATMENT : See GS-47-0004

4- MINIMUM QUANTITY IN BLI BOX : 500

spec ref	GS-12-652	dr	Alexandre Parr	2014/02/28
tolerance std	ISO 406 ISO 1101	eng	Detouillon, Da	2018/05/24
surface	linear	chr	Detouillon, Da	2018/10/01
		appr	Aymeric Soudy	2018/10/01
	angular	0°	±/°	

projection	mm	size	A3	scale	4:1
product family	HEADER UNSHROUDED SMT	ecn no	ELX-F-30274-1	rel level	Released
dwg no	10112690C	rev	F	cat. no.	Product - Customer Drw
www.fci.com	sheet 1 of 1	Product - Customer Drw			

Amphenol FCI

© 2016 AFCI