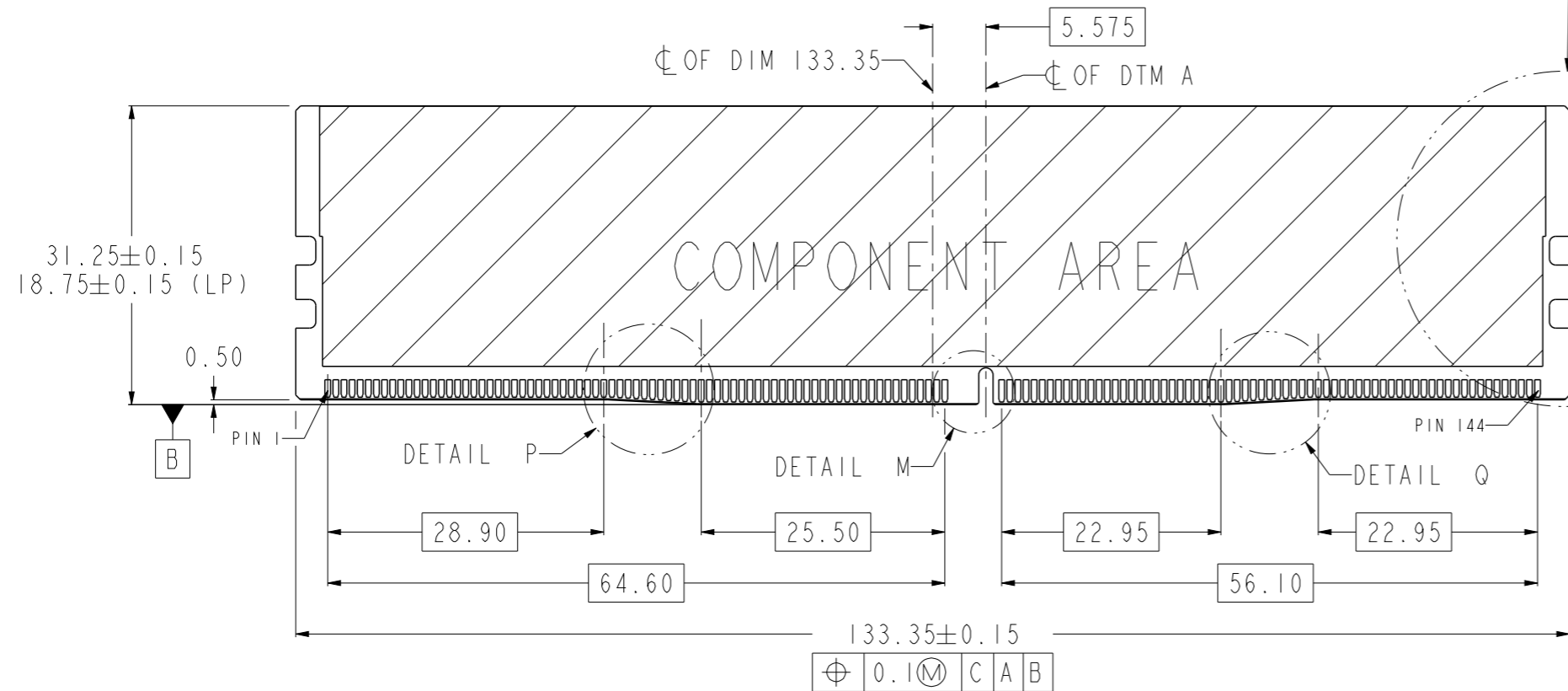
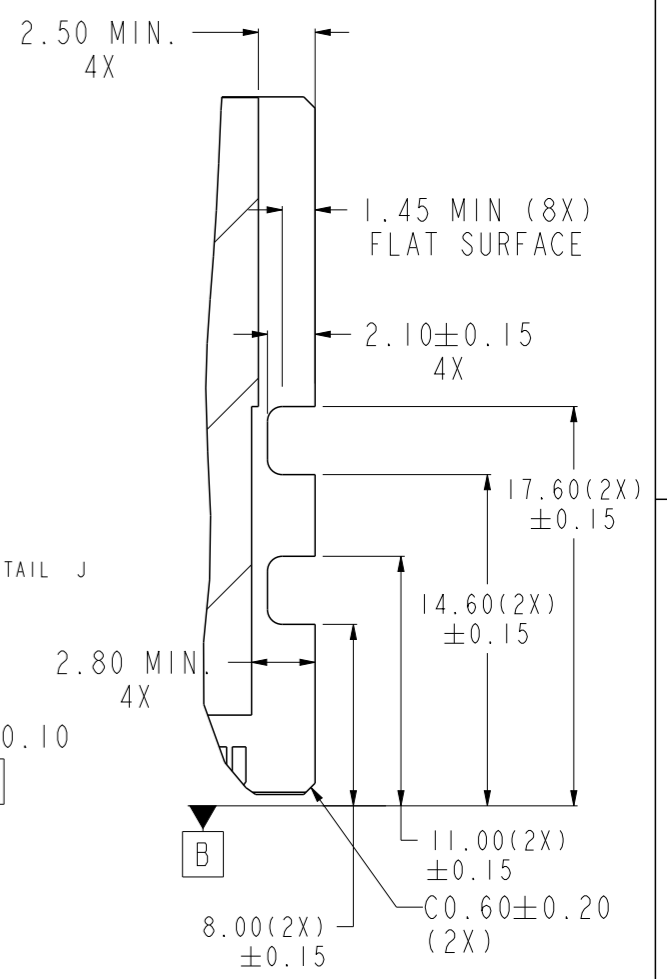
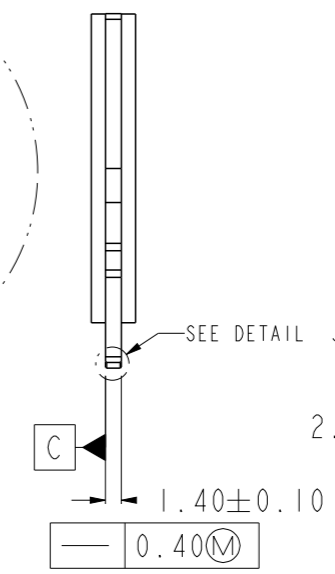


spec ref	-	dr	Eric Jiang	2015/05/19	projection	mm	size	A3	scale	2:1	
tolerance std	ISO 406 ISO 1101	eng	Jeny Ren	2017/04/24			ecn no	ELX-DG-26765-1			
TOLERANCES UNLESS OTHERWISE SPECIFIED		chr	-	-			rel level	Released			
surface	linear	appr	Nickor Zuo	2017/04/26	product family	-	dwg no	10135356		rev	D
ISO 1302	angular	Amphenol FCi		DDR4 288 PIN DIMM CONNECTOR SMT TERMINATION		cat. no.	-	Product - Customer Drw	sheet 1 of 4		
	0.X	±0.30									
	0.XX	±0.20									
	0.XXX	±0.10									
	0°	±2°									

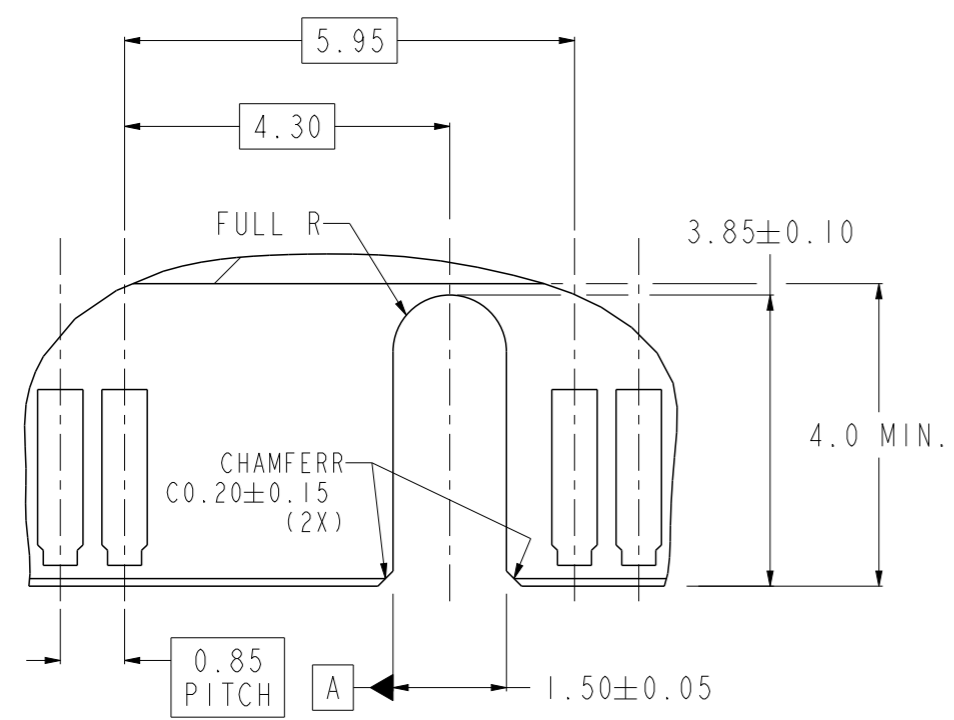
DDR4 MODULE  
MORE INFORMATION REFER TO JEDEC MO-309



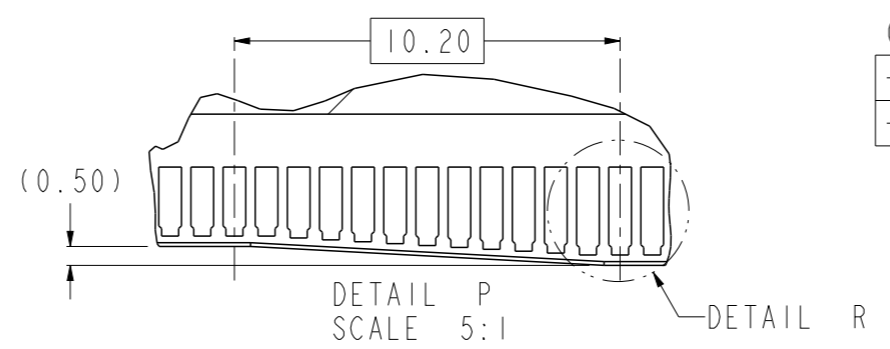
SEE DETAIL N



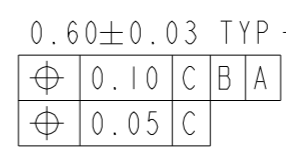
DETAIL N  
SCALE 3:1



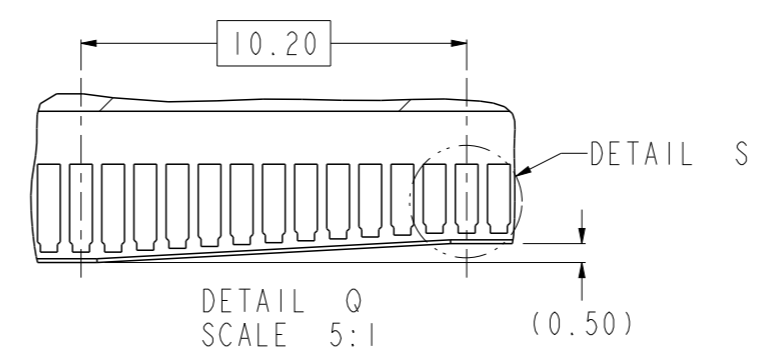
DETAIL M  
SCALE 10:1



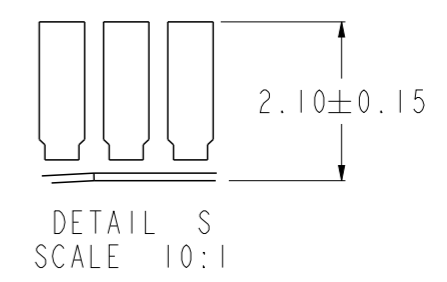
DETAIL P  
SCALE 5:1



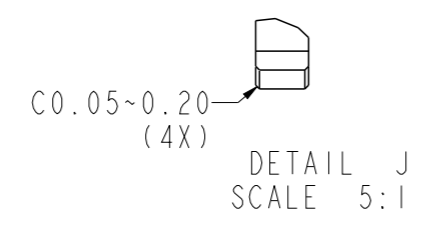
0.45 MIN. TYP.  
DETAIL R  
SCALE 10:1



DETAIL Q  
SCALE 5:1



DETAIL S  
SCALE 10:1

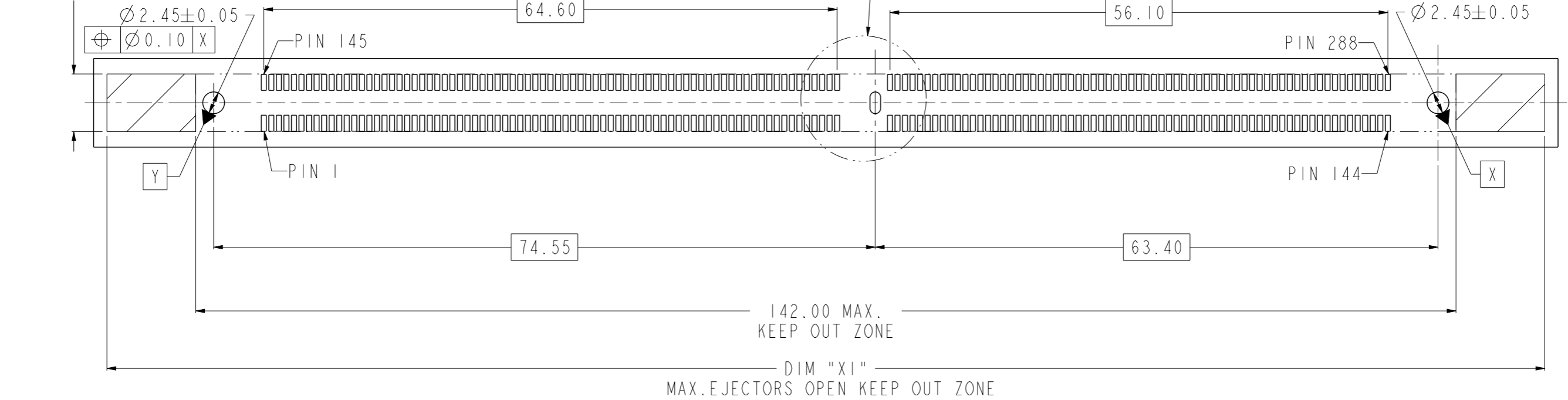


DETAIL J  
SCALE 5:1

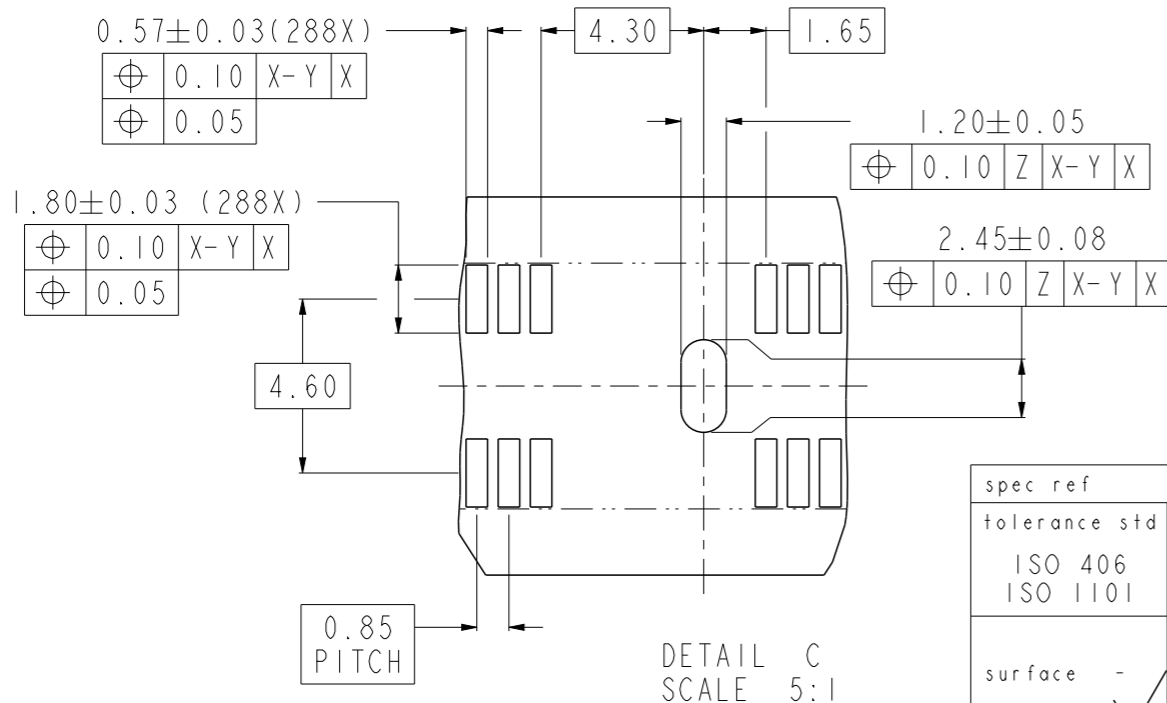
spec ref	-	dr	Eric Jiang	2015/05/19	projection	mm	size	A3	scale	3:2	
tolerance std	ISO 406 ISO 1101	eng	Jeny Ren	2017/04/24		← →	ecn no	ELX-DG-26765-1			
TOLERANCES UNLESS OTHERWISE SPECIFIED		chr	-	-			rel level	Released			
surface	linear	appr	Nickor Zuo	2017/04/26	product family	-	dwg no	10135356		rev	D
ISO 1302	angular	Amphenol FCI		DDR4 288 PIN DIMM CONNECTOR		cat. no.		-	Product - Customer Drw	sheet 2 of 4	
					SMT TERMINATION						

RECOMMENDED PCB LAYOUT  
MORE INFORMATION REFER TO JEDEC SO-017

6.50 MAX.  
KEEP OUT ZONE



THICKNESS  
1.6~3.2mm



ADDITIONAL NOTES:

1. RECOMMENDED STENCIL THICKNESS IS NOT LESS THAN 0.15mm

spec ref	-	dr	Eric Jiang	2015/05/19	projection	mm	size	A3	scale	2:1	
tolerance std	ISO 406 ISO 1101	eng	Jeny Ren	2017/04/24			ecn no	ELX-DG-26765-1			
surface	ISO 1302	chr	-	apppr			Nickor Zuo	2017/04/26	product family	-	rel level
		linear	0.X	±0.30			part no	DDR4 288 PIN DIMM CONNECTOR		rev	D
		angular	0°	±2°	SMT TERMINATION		dwg no	10135356		sheet	3 of 4
		cat. no.	-	Product - Customer Drw							

PRODUCT PART NUMBER

10135356 -

ADDITIONAL REQUIREMENTS

0: DEFAULT

HOLD DOWNS CONFIGURATIONS

1: 3 FORKLOCKS  
 3: 3 SOLDER TABS, DIM "S"=2.00  
 6: 3 SOLDER TABS, DIM "S"=1.50


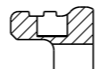
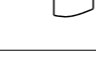

MYLAR AND PACKAGE

0. WITH MYLAR(LENGTH=30mm), HARD TRAY PACKAGE  
 1. WITH MYLAR(LENGTH=90mm), HARD TRAY PACKAGE  
 2. WITHOUT MYLAR, HARD TRAY PACKAGE

HOUSING COLOR

0: NATURAL  
 1: BLACK  
 2: BLUE

EJECTOR TYPE

CODE	COLOR	DIM"X1" MAX.EJECTORS OPEN DISTANCE	DIM"X2" MAX.EJECTORS CLOSE DISTANCE	DIM"W" EJECTORS WIDTH	EJECTOR FIGURE
3	NATURAL	153.00	143.00	(6.42)	
B	NATURAL				
C	BLACK				
G	GREEN	156.00	146.00	(6.42)	
J	NATURAL				
K	BLACK				

SMT TAIL PLATING

LF: 100u" MIN. MATTE TIN  
 TL: 100u" MIN. TIN LEAD

CONTACT AREA PLATING

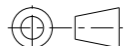
CODE	CONTACT AREA	UNDERPLATING
1	15u" MIN.GOLD	50u" MIN.NICKEL
3	30u" MIN.GOLD	

CONTACTS LUBRICATION

0: WITHOUT  
 1: WITH

NOTES:

- MATERIALS:  
 HOUSING: HIGH PERFORMANCE RESINS, GLASS FILBER FILLED, UL94 V-0 RATED.  
 EJECTOR: HIGH PERFORMANCE RESINS, GLASS FILBER FILLED, UL94 V-0 RATED.  
 TERMINAL: COPPER ALLOY  
 FORKLOCK: COPPER ALLOY  
 SOLDER TAB: COPPER ALLOY
- STENCIL THICKNESS IS NOT LESS THAN 0.15mm.
- DATE CODE "MMDDYYL", MMDDYY IS ASSEMBLY DATE, L IS FCI PRODUCTION LINE.
- SPECIFICATION:  
 PRODUCTION SPECIFICATION: FCI GS-12-1092.  
 PACKAGE SPECIFICATION: FCI GS-14-2267.  
 APPLICATION SPECIFICATION: FCI GS-20-0353.
- LEAD FREE PRODUCT MEETS EUROPEAN UNION DIRECTIVES AND OTHER COUNTRY REGULATIONS AS DESCRIBED IN FCI GS-22-008.
- THIS PRODUCT WILL WITHSTAND EXPOSURE TO 260°C PEAK TEMPERATURE FOR 10 SECONDS IN REFLOW SOLDERING APPLICATION.

spec ref	-	dr	Eric Jiang	2015/05/19	projection		mm	size	A3	scale	1:1
tolerance std	ISO 406 ISO 1101	eng	Jeny Ren	2017/04/24	product family	-	ecn no	ELX-DG-26765-1			
surface	linear	chr	-	-	rel level	Released					
ISO 1302	angular	appr	Nickor Zuo	2017/04/26	cat. no.	-	Product - Customer Drw	sheet 4 of 4			
	0.X ±0.30 0.XX ±0.20 0.XXX ±0.10 0° ±2°	Amphenol FCI		DDR4 288 PIN DIMM CONNECTOR	dwg no	10135356		rev	D		

Amphenol FCI

© 2016 AFCI