

**180-050**  
**Feedthrough Probe Connector**  
**Probe to Socket Terminus (M29504/5)**



**180-050 C**

Product Series  
 Basic Number  
 Finish Symbol  
 (See Table I)

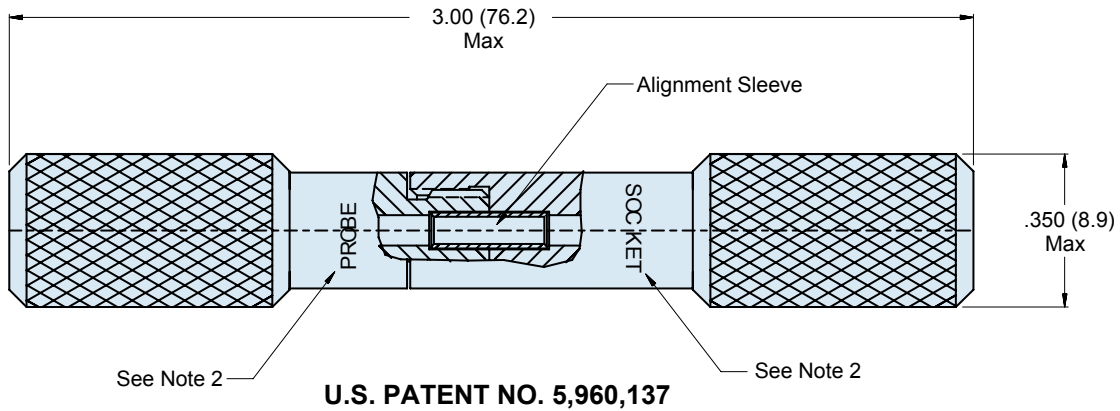


TABLE I: FINISH		
SYM	MATERIAL	FINISH
C	Aluminum	Black Anodize
M	Aluminum	Electroless Nickel

- APPLICATION NOTES**
1. Assembly identified with manufacture's name and P/N as Space Permitted.
  2. Assembly to be identified with "Probe" and "Socket."
  3. Assembly to be identified with "Probe" and "Socket."
  4. Material/ Finish:  
 Housing: Al Alloy/ See Table I  
 Alignment Sleeve: Zirconia Ceramic/ N.A.  
 Retaining Clips: Beryllium Copper/ N.A.
  5. Metric dimensions (mm) are indicated in parentheses.