

Series 34 Shorting Cap Backshells

for MIL-DTL-38999 Series I and II Connectors

340FS002 Shorting Cap Backshell, Direct Coupling



Adapter Code **F**

This accessory fits these connectors:
MIL-DTL-38999 Series I and Series II

ATTACHMENT TYPES

F **Wire Rope, Blue Nylon Jacket**
6/6 nylon over stainless steel rope, stainless steel ring terminal, fair flexibility, good abrasion resistance, -55 to +100 °C

G **Nylon Rope**
Solid braided nylon cord, black, stainless steel ring terminal, very flexible, good abrasion resistance, good resistance to fuels, .120" (3mm) diameter, -55 to +100 °C

H **Wire Rope, Clear FEP Jacket**
Clear FEP jacket over SST rope, stainless steel ring terminal, fair flexibility, good abrasion resistance, .100" diameter, -55 to +200 °C

S **Sash Chain**
#8 sash chain, stainless steel

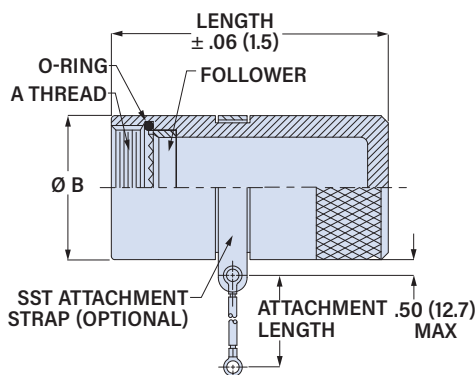
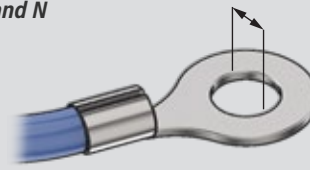
U **Wire Rope, Black Polyurethane**
Stainless steel rope with black polyurethane coating, stainless steel ring terminal, very flexible, excellent abrasion resistance, excellent resistance to fuels, .080" (2mm) diameter, -55 to +125 °C

Direct coupling. Shorting cap backshell fits MIL-DTL-38999 Series I and II connectors. Tether backshell with optional attachment strap and lanyard. Aluminum or stainless steel. Attachment strap and hardware are passivated stainless steel.

PART NUMBER

340FS002 M 16 -2 F 12 A

Base P/N	340FS002																																																					
Material/Finish	M	Alum/ Electroless Nickel																																																				
	MT	Alum/ Nickel-PTFE																																																				
	NF	Alum/ Olive Drab Cadmium																																																				
	ZR	Alum/ Black Zinc-Nickel																																																				
	TZ	Alum/ Tin-Zinc																																																				
	ZI	SST/ Passivated																																																				
Shell Size	<table border="1"> <tr> <td></td> <td colspan="10">Shell Size</td> </tr> <tr> <td>38999 Series I</td> <td>9</td> <td>11</td> <td>13</td> <td>15</td> <td>17</td> <td>19</td> <td>21</td> <td>23</td> <td>25</td> <td></td> </tr> <tr> <td>38999 Series II</td> <td>8</td> <td>10</td> <td>12</td> <td>14</td> <td>16</td> <td>18</td> <td>20</td> <td>22</td> <td>24</td> <td></td> </tr> <tr> <td>Size Code</td> <td>08</td> <td>10</td> <td>12</td> <td>14</td> <td>16</td> <td>18</td> <td>20</td> <td>22</td> <td>24</td> <td></td> </tr> </table>											Shell Size										38999 Series I	9	11	13	15	17	19	21	23	25		38999 Series II	8	10	12	14	16	18	20	22	24		Size Code	08	10	12	14	16	18	20	22	24	
	Shell Size																																																					
38999 Series I	9	11	13	15	17	19	21	23	25																																													
38999 Series II	8	10	12	14	16	18	20	22	24																																													
Size Code	08	10	12	14	16	18	20	22	24																																													
Length	-2	1.0 inch																																																				
	-3	1.5 inches																																																				
	-4	2.0 inches																																																				
	-5	2.5 inches																																																				
	-6	3.0 inches																																																				
Attachment Type	N	No Attachment																																																				
	C	Attachment Strap Only, No Lanyard																																																				
	F	Wire Rope, Blue Nylon Jacket																																																				
	G	Nylon Rope																																																				
	H	Wire Rope, Clear FEP Jacket																																																				
	S	Sash Chain																																																				
	U	Wire Rope, Black Polyurethane Jacket																																																				
Attachment Length	Omit for Attachment Types C and N Attachment Length in 1/2 inch increments. "11" = 5.5 inches.																																																					
Lanyard Ring I.D.	Omit for Attachment Types C and N																																																					
	E	.125 (3.2) ± .010 (0.3)																																																				
	A	.140 (3.6) ± .010 (0.3)																																																				
	B	.167 (4.2) ± .010 (0.3)																																																				
	C	.182 (4.6) ± .010 (0.3)																																																				
	D	.191 (4.9) ± .010 (0.3)																																																				
	F	.218 (5.5) ± .010 (0.3)																																																				



Shell Size	A Thread UNEF-2B	øB Max in	øB Max mm
8/9	0.4375-28	.59	15.0
10/11	0.5625-24	.72	18.3
12/13	0.6875-24	.84	21.3
14/15	0.8125-20	.97	24.6
16/17	0.9375-20	1.09	27.7
18/19	1.0625-18	1.22	31.0
20/21	1.1875-18	1.34	34.0
22/23	1.3125-18	1.47	37.3
24/25	1.4375-18	1.59	40.4