

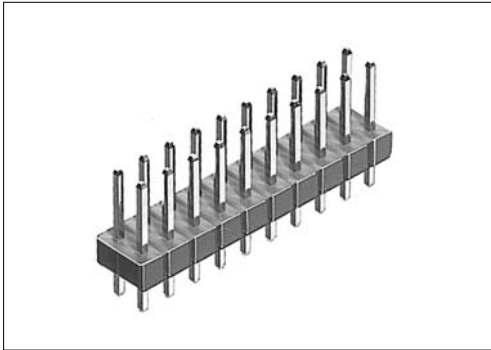
Straight through hole type male connector for PCB FFC-()BSM() () ()

For PCB

Straight Through hole

RoHS

Contact structure is designed to prevent flux entry during contact soldering.

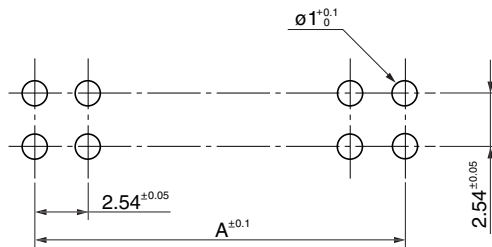
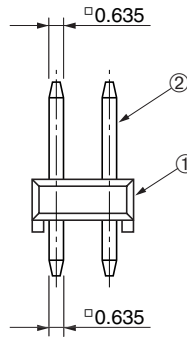
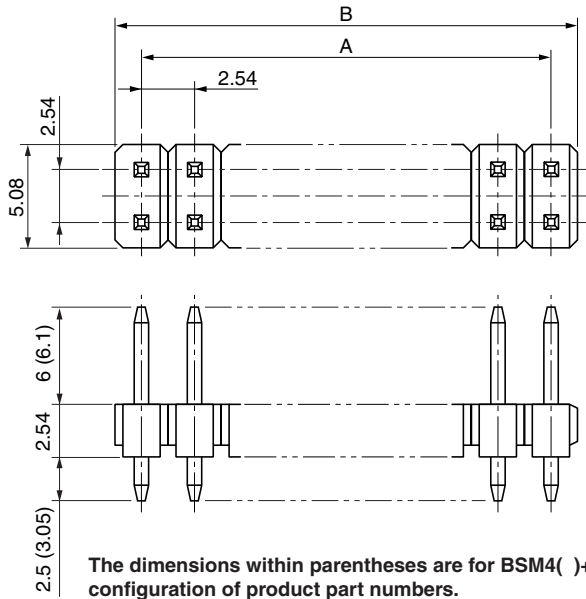


● Configuration of product Part No.

FFC- () BSM () () ()

① ② ③ ④ ⑤ ⑥

- ① Series name
- ② No. of contacts: 4-144
- ③ Type of contact
BSM: 0.635 square contacts, double row type, contact structure is designed to prevent flux entry during contact soldering.
- ④⑥ Contact plating
1 : Gold plate
22 : Tin plate
4 / + : Gold plate
- ⑤ Insulator color
Blank: Blue
B : Black



Recommended PCB layout

● Components

①	Insulator
②	Contact

Note: Contact structure is designed to prevent flux entry during contact soldering.

● Dimensions

No. of contacts	A	B	No. of contacts	A	B
4	2.54	5.08	76	93.98	96.52
6	5.08	7.62	78	96.52	99.06
8	7.62	10.16	80	99.06	101.60
10	10.16	12.70	82	101.60	104.14
12	12.70	15.24	84	104.14	106.68
14	15.24	17.78	86	106.68	109.22
16	17.78	20.32	88	109.22	111.76
18	20.32	22.86	90	111.76	114.30
20	22.86	25.40	92	114.30	116.84
22	25.40	27.94	94	116.84	119.38
24	27.94	30.48	96	119.38	121.92
26	30.48	33.02	98	121.92	124.46
28	33.02	35.56	100	124.46	127.00
30	35.56	38.10	102	127.00	129.54
32	38.10	40.64	104	129.54	132.08
34	40.64	43.18	106	132.08	134.62
36	43.18	45.72	108	134.62	137.16
38	45.72	48.26	110	137.16	139.70
40	48.26	50.80	112	139.70	142.24
42	50.80	53.34	114	142.24	144.78
44	53.34	55.88	116	144.78	147.32
46	55.88	58.42	118	147.32	149.86
48	58.42	60.96	120	149.86	152.40
50	60.96	63.50	122	152.40	154.94
52	63.50	66.04	124	154.94	157.48
54	66.04	68.58	126	157.48	160.02
56	68.58	71.12	128	160.02	162.56
58	71.12	73.66	130	162.56	165.10
60	73.66	76.20	132	165.10	167.64
62	76.20	78.74	134	167.64	170.18
64	78.74	81.28	136	170.18	172.72
66	81.28	83.82	138	172.72	175.26
68	83.82	86.36	140	175.26	177.80
70	86.36	88.90	142	177.80	180.34
72	88.90	91.44	144	180.34	182.88
74	91.44	93.98			

Mating connectors: DIC series or HKP series female connector

Z-282 or Z-325 female connector