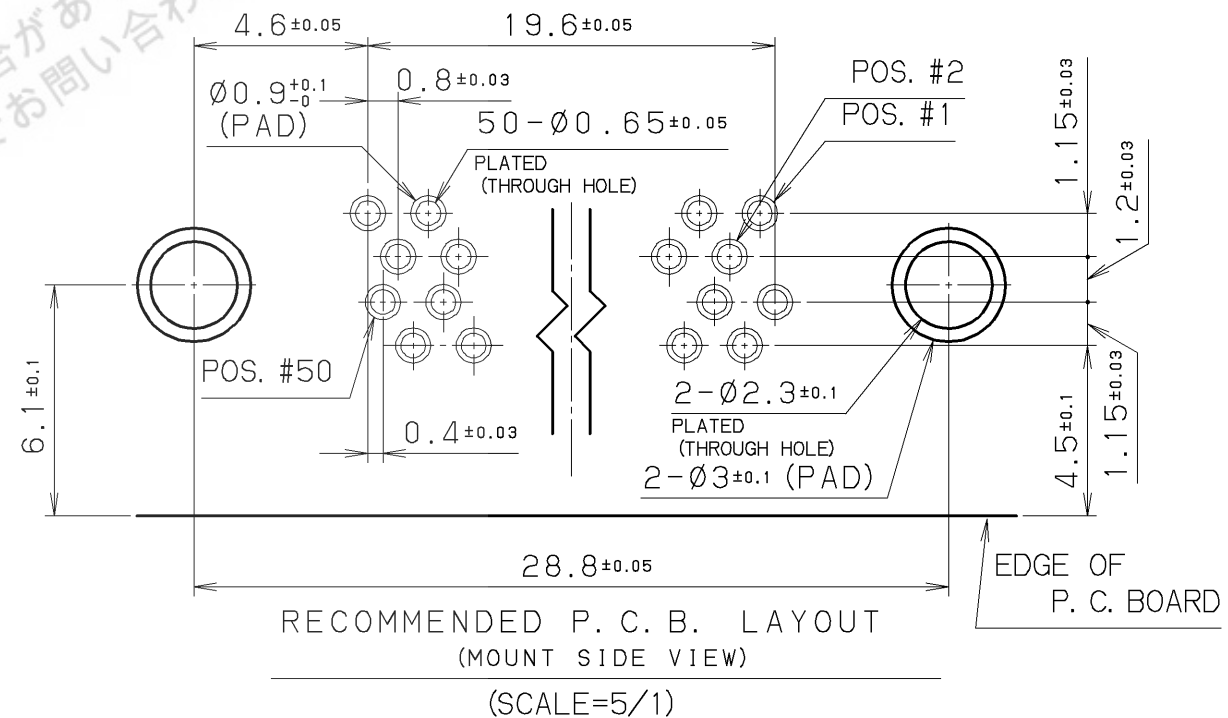
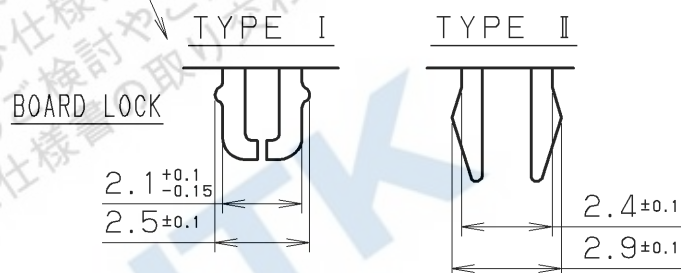
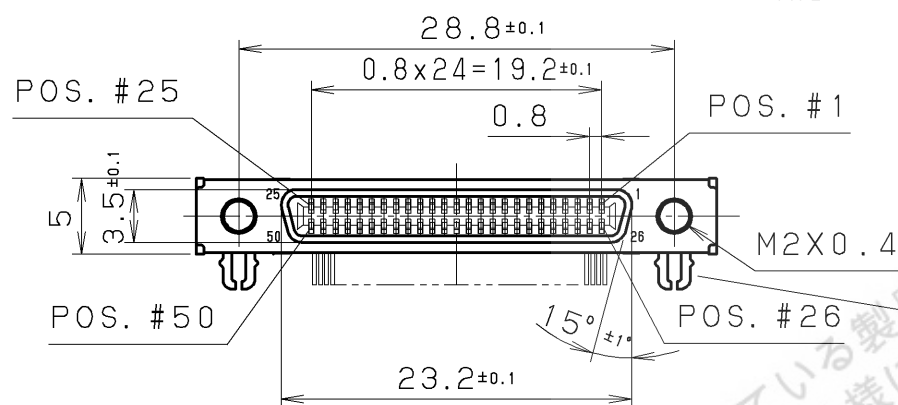
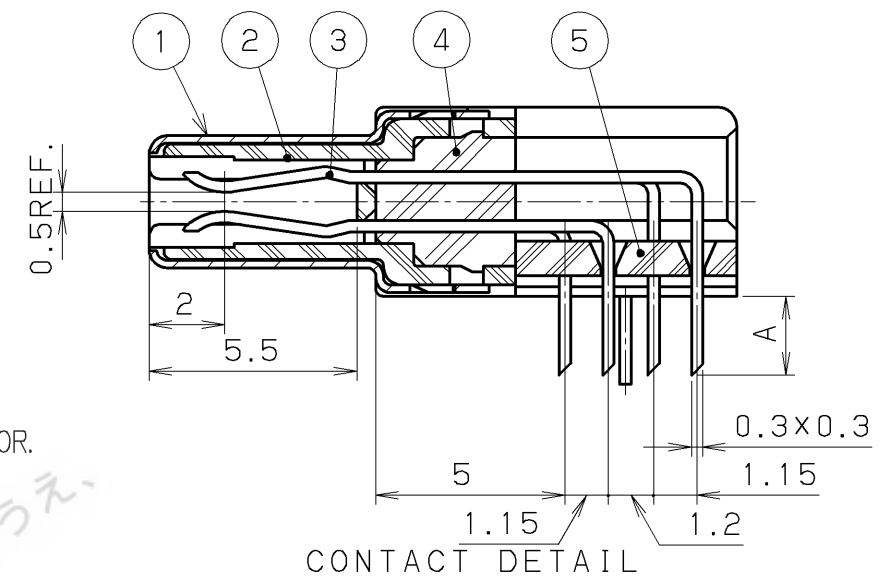
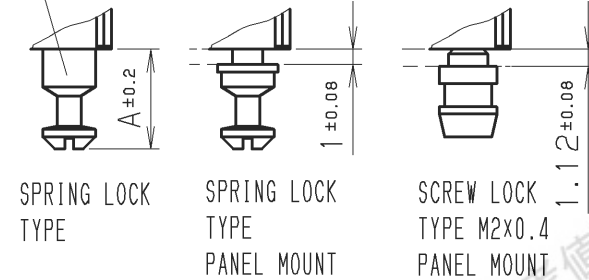


PART No.	TYPE (LOCK SCREWS)	NOTE
HDR-E50LFDT ( ) +	—	—
HDR-E50LFDT ( ) -SLA+	SPRING LOCK (PANEL MOUNT)	SEE NOTE. #3
HDR-E50LFDT ( ) -SLB+	SCREW LOCK (PANEL MOUNT)	SEE NOTE. #3
HDR-E50LFDT ( ) -SLE+	SPRING LOCK A=6.6	—
HDR-E50LFDT ( ) -SLK+	SPRING LOCK A=3.3	—

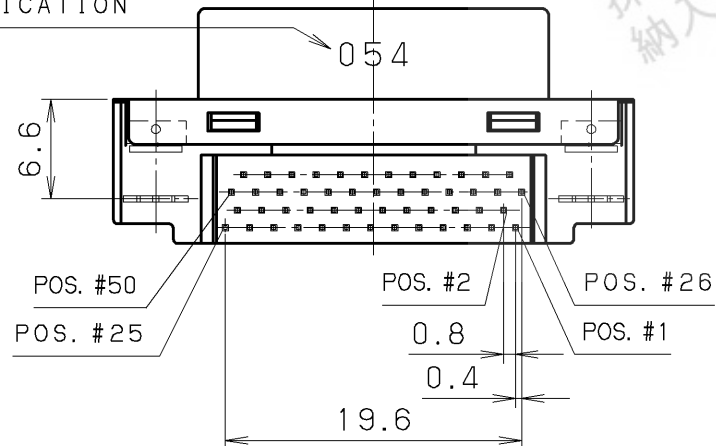
LOCK SCREWS

NOTE.3

TWO LOCK SCREWS ARE SUPPLIED WITH A CONNECTOR.



DATE CODE INDICATION



NOTE 1. SPECIFICATION

RATED CURRENT:0.5A  
RATED VOLTAGE:125V AC (r. m. s.)

2. CONTACT PLATING

PALLADIUM/NICKEL 0.5µm+GOLD 0.1µm MIN. ON MATING AREA,  
GOLD 0.05µm ON TERMINATION AREA,  
ALL OVER NICKEL UNDERPLATED.

PART No.	A	B	TYPE (BOARD LOCK)	P.C. BOARD THICKNESS
HDR-E50LFDT ( ) +	1.65	3	II	1.2
HDR-E50LFDT1 ( ) +	2.08	2.32	I	1.6
HDR-E50LFDT2 ( ) +	2.72	2.32	I	1.6

8	LOCK SCREW	STEEL	2	NICKEL PLATING	—
7	SQR. NUT	BRASS	2	NICKEL PLATING	M2x0.4
6	BOARD LOCK	PHOSPHOR BRONZE	2	TIN PLATING	—
5	BRACKET	PPS (GF)	1	—	UL94V-0 BLACK
4	INSULATOR B	LCP (GF)	1	—	UL94V-0 BLACK
3	FEMALE CONTACT	PHOSPHOR BRONZE	50	NOTE. #1	—
2	INSULATOR A	PPS (GF)	1	—	UL94V-0 BLACK
1	SHELL	STEEL	1	NICKEL PLATING	—

LTR.	DATE	BY	REV.	DESCRIPT	No.	PART NAME	MATERIAL	QTY	FINISH	NOTE		
	Mar.10.2005		2 / 1		3RD. A. P	HONDA TSUSHIN KOGYO CO., LTD.						
	APP. DATE&REV.					DR.	DE.	CHK.	CHK.	APP.	NAME	0.8mm SPACING RIGHTANGLE FEMALE CONNECTOR
						Y. KATO	Y. KATO	—	C. NUNOKAWA	H. EBIHARA	PART NO.	HDR-E50LFDT ( ) ( ) +
											REV.	