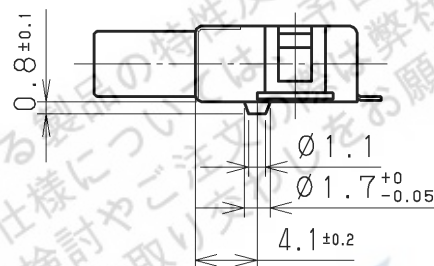
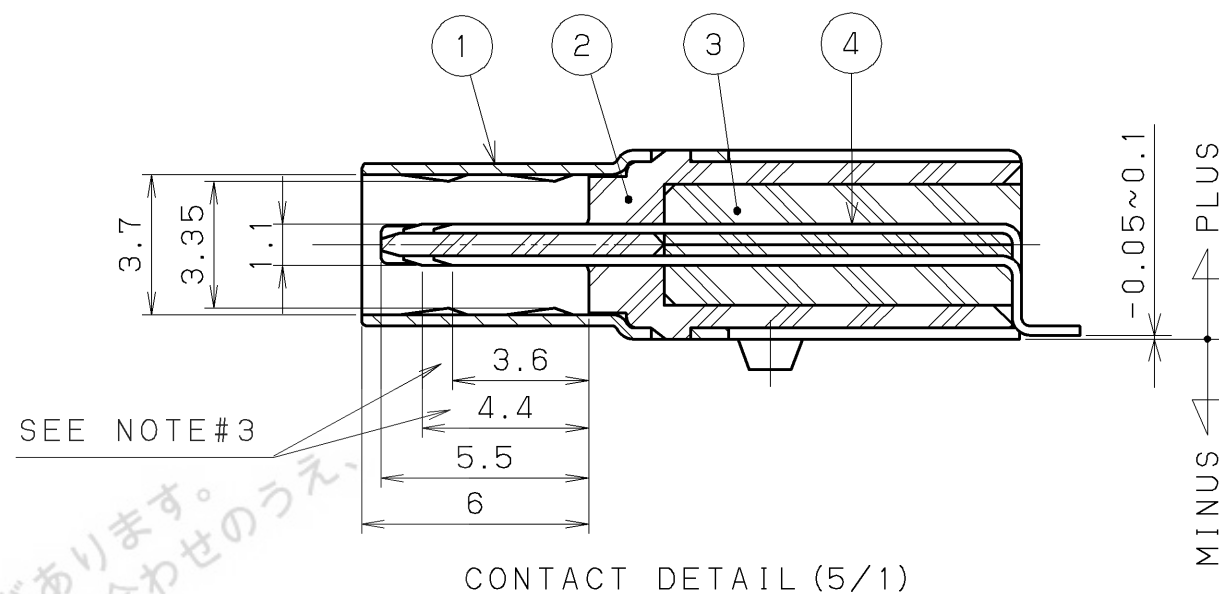


3. CONTACT SEQUENCE

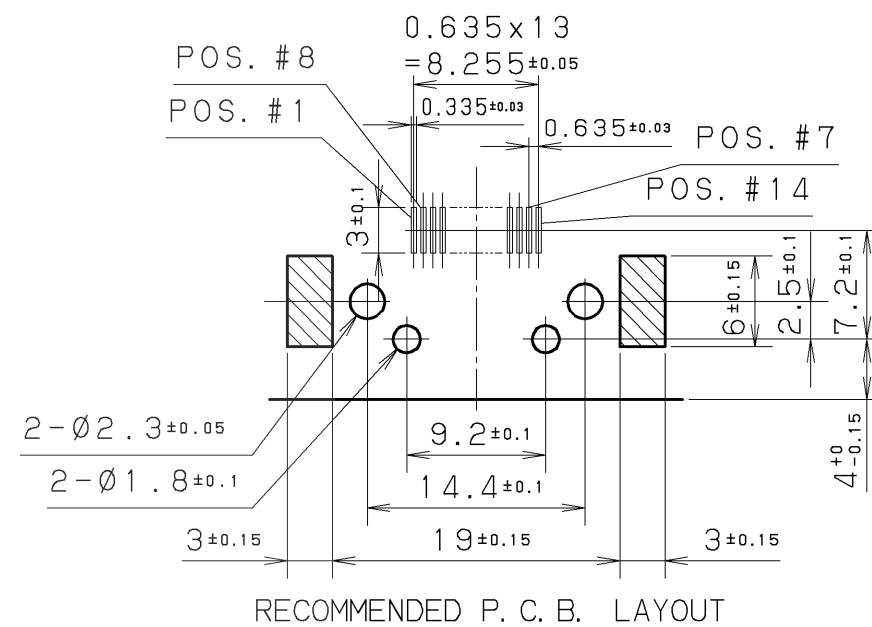
CONTACT LENGTH	CONTACT POS. NO.
4.4 mm	POS. #1, 7, 8, 14
3.6 mm	OTHERS



NOTE

1. SPECIFICATION
 RATED CURRENT: 0.5A
 RATED VOLTAGE: 125V AC (r. m. s.)

2. CONTACT PLATING
 0.76µm MIN. GOLD ON MATING AREA,
 0.05µm GOLD ON TERMINATION AREA,
 ALL OVER 1.5µm MIN. NICKEL UNDERPLATED.



RECOMMENDED P. C. B. LAYOUT

7	SQR. NUT	BRASS	2	NICKEL PLATING	M2x0.4
6	EARTH PLATE	PHOSPHOR BRONZE	2	NICKEL PLATING	—
5	HEX. NUT	STEEL	—	NICKEL PLATING	M2x0.4
4	CONTACT	PHOSPHOR BRONZE	14	NOTE#2	—
3	INSULATOR B	PPS (GF)	1	—	UL94V-0 BLACK COLOR
2	INSULATOR A	PPS (GF)	1	—	UL94V-0 BLACK COLOR
1	SHELL	STEEL	1	NICKEL PLATING	—

LTR.	DATE	BY	REV.	DESCRIPT	No.	PART NAME	MATERIAL	QTY	FINISH	NOTE
	DATE			SCALE		UNIT				
	Mar. 29(2004)			2 / 1		mm (INCH)		3RD. A. P	HONDA TSUSHIN KOGYO CO., LTD.	
	APP. DATE&REV.									
	DR.	DE.	CHK.	CHK.	APP.	NAME	0.8mm SPACING 14POS. RIGHTANGLE MALE CONNECTOR			
	Y. KATO	Y. KATO	—	C. NUNOKAWA	H. EBIHARA	PART NO.	HDR-EA14LMYPG1+			REV.