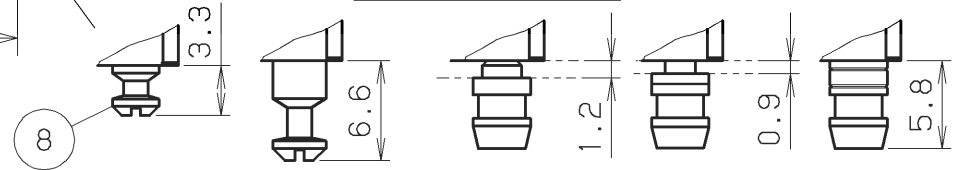
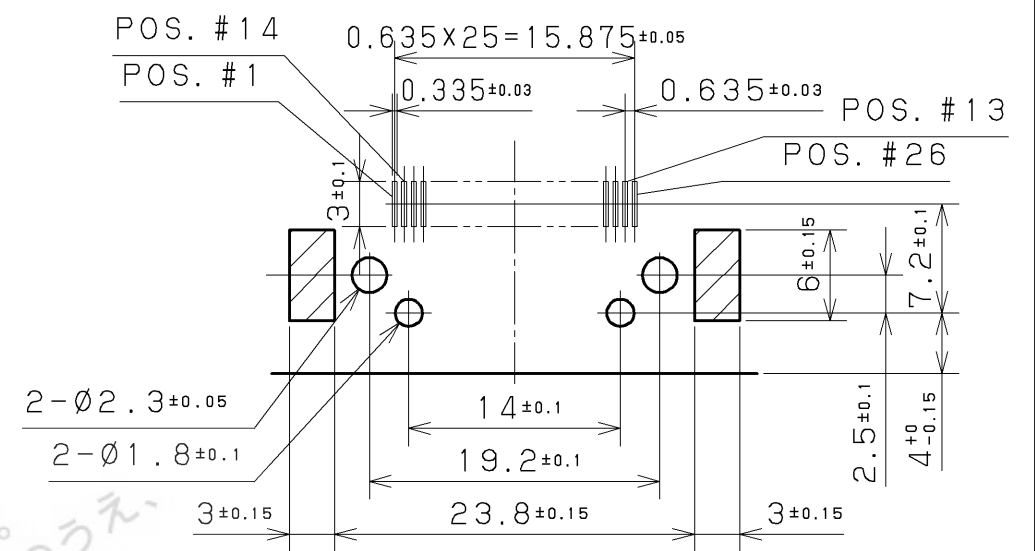


PART No.	TYPE	NOTE
HDR-EA26LMYPG1+		
HDR-EA26LMYPG1-SLD+	SCREW LOCK	
HDR-EA26LMYPG1-SLE+	SPRING LOCK TYPE (6.6)	
HDR-EA26LMYPG1-SLF+	SCREW LOCK (PANEL 0.9)	SEE NOTE. #4
HDR-EA26LMYPG1-SLG+	SCREW LOCK (PANEL 1.2)	SEE NOTE. #4
HDR-EA26LMYPG1-SLK+	SPRING LOCK TYPE (3.3)	

LOCK SCREWS

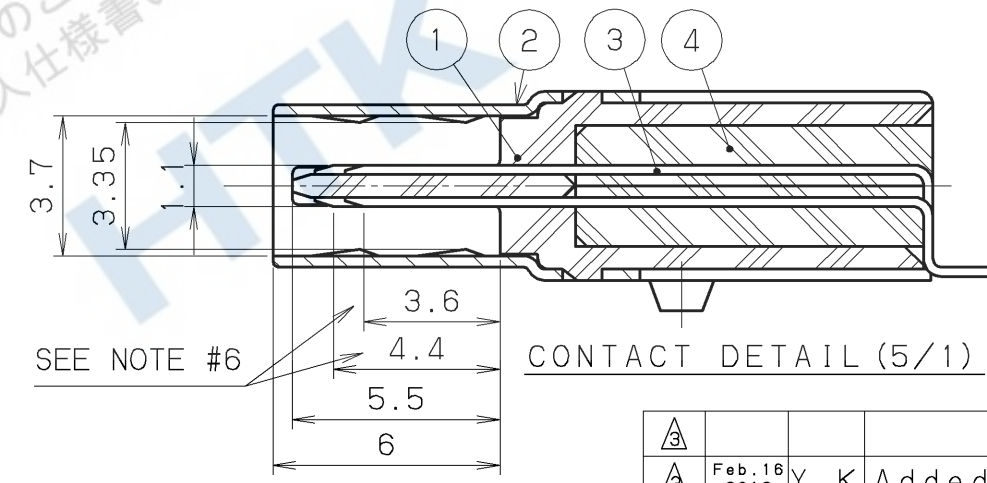
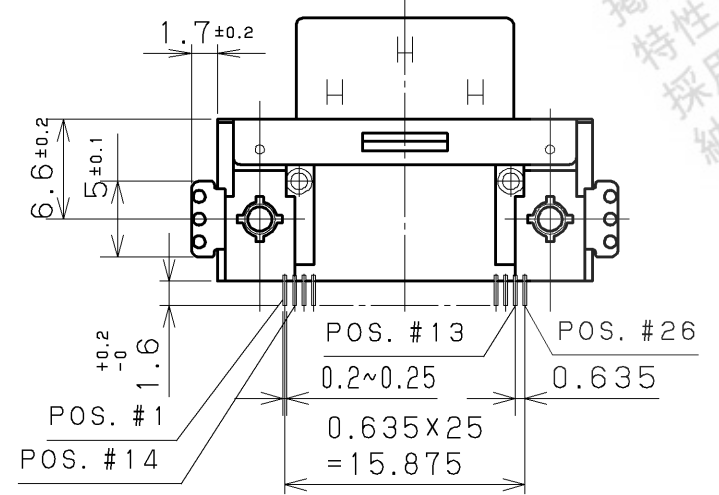
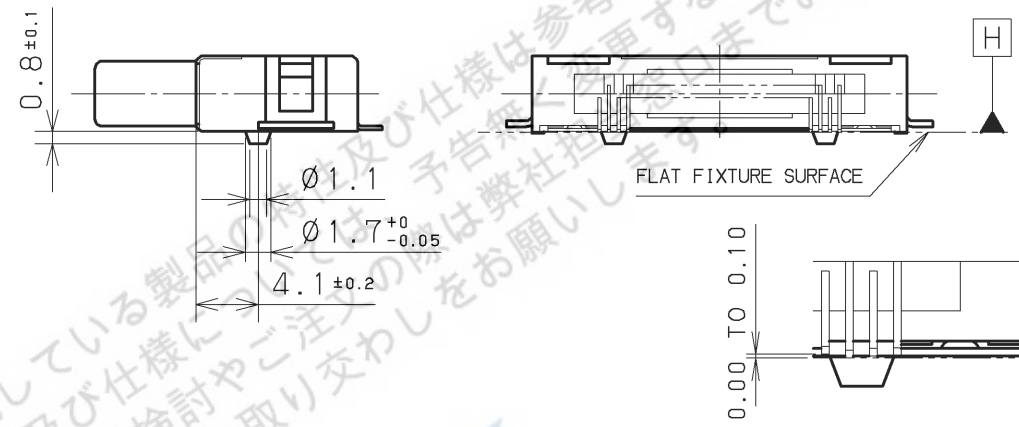
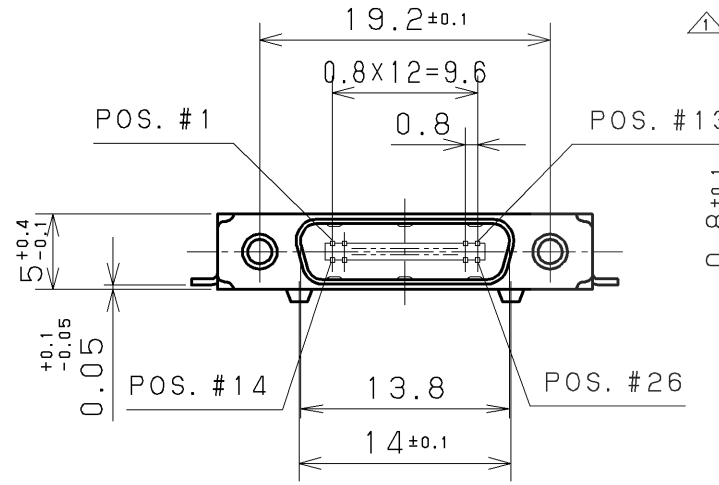


△ SPRING LOCK TYPE
 SCREW LOCK TYPE M2X0.4 PANEL MOUNT
 SCREW LOCK TYPE M2X0.4



RECOMMENDED P. C. B. LAYOUT

- CONTACT PLATING
 MATING AREA
 0.76 MICRO METERS MINIMUM GOLD PLATING
 TERMINATION AREA
 0.05 MICRO METERS MINIMUM GOLD PLATING
 UNDERPLATING: NICKEL PLATING 1µm
- MATING CONNECTOR
 HDR-E26F () G () +
- SPECIFICATION
 RATED CURRENT 0.5A
 RATED VOLTAGE 125V AC (r. m. s.)
- TWO LOCK SCREWS ARE SUPPLIED WITH A CONNECTOR.
- THE DIMENSION OF PIN TAIL'S LOWER SURFACE TO DETUM 'H' SURFACE: 0.00 TO 0.10.
 THE CONECTOR SHOULD BE ON FLAT FIXTURE SURFACE WHEN THE DIMENSIONS ARE MEASURED.



6. CONTACT SEQUENCE

CONTACT LENGTH	CONTACT POS. NO.
4.4mm	POS. #1, 13, 14, 26
3.6mm	OTHERS

8	LOCK SCREW	STEEL	2	NICKEL PLATING	M2X0.4
7	HEX. NUT	STEEL	2	NICKEL PLATING	M2X0.4
6	EARTH PLATE	PHOSPHOR BRONZE	2	NICKEL PLATING	
5	SQR. NUT	BRASS	2	NICKEL PLATING	M2X0.4
4	INSULATOR B	PPS (GF)	1		UL94V-0 BLACK COLOR
3	CONTACT	PHOSPHOR BRONZE	26	SEE NOTE #2	
2	SHELL	STEEL	1	NICKEL PLATING	
1	INSULATOR A	PPS (GF)	1		UL94V-0 BLACK COLOR

DATE	SCALE	UNIT	3RD. A. P	HONDA TSUSHIN KOGYO CO., LTD.		
Feb. 23. 2004	2/1	mm (INCH)		DR.	DE.	CHK.
APP. DATE&REV.				Y. KATO	Y. KATO	
LTR. DATE BY REV. DESCRIPT No. PART NAME MATERIAL QTY FINISH NOTE				CHK.	CHK.	APP.
				M. KASHIHARA	H. EBIHARA	
				NAME		0.8mm SPACING 26POS. RIGHTANGLE MALE CONNECTOR
				PART NO.		HDR-EA26LMYPG1- () +
						REV. 2B