

EMI-filtered vertical metallic housing
HDRA-E100LPW()

Housing

Vertical

EMI filtered

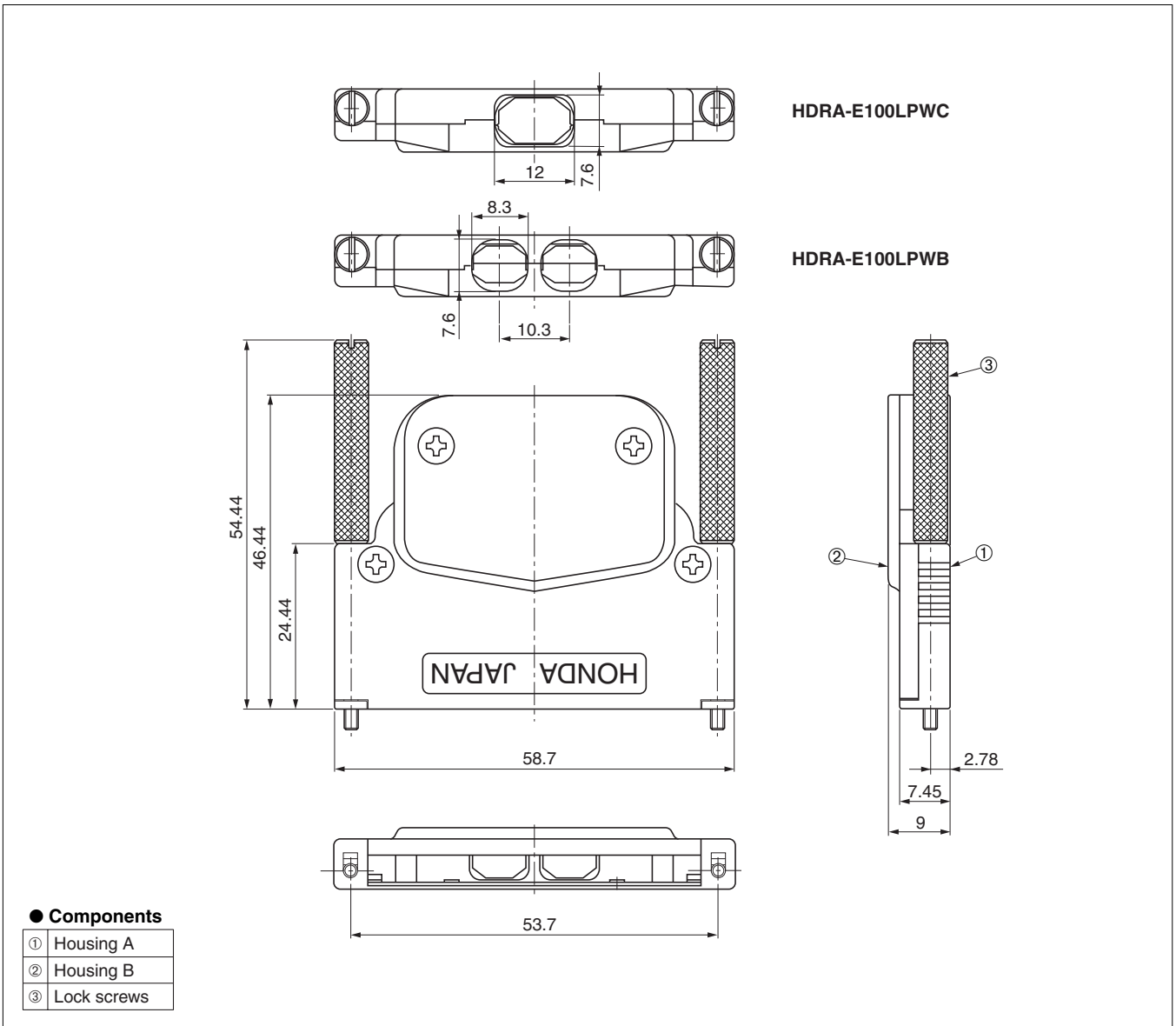
RoHS



● Configuration of product Part No.

HDRA- E 100 LP W ()

- ① Series name
- ② No. of contacts: 100
- ③ Type of housing: Vertical type
- ④ Compatible cable and form of through hole
 B : Two holes are available for two cables. Outside diameters of cable are 6.9 mm
 C : One hole is available for one cable. Outside diameter of cable is 9.6 mm



For use with connectors: HDRA-E100M()1+